

DATASHEET

Image



General Information

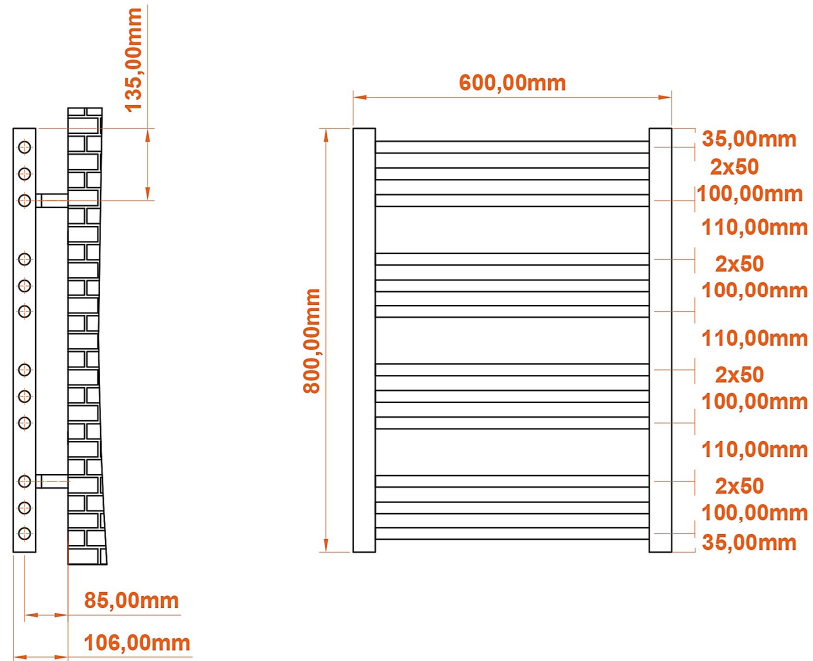
Product:	89:1555
Description:	Corinium Round 800 x 600 Towel Rail
Website Link:	(Click Here)
Product Type:	Towel Rail
Brand:	Eastbrook Company
Colour:	Matt Anthracite
Material:	Mild Steel
Height (mm):	800mm
Width (mm):	600mm
Net Weight (kg):	5.53kg
Product Range:	Corinium Round

Product Specifications

Warranty:	5 Year(s)
Supplied with fixings:	Yes
BTU $\Delta T50^{\circ}\text{C}$:	1242
BTU $\Delta T60^{\circ}\text{C}$:	1566
Watts $\Delta T50^{\circ}\text{C}$:	364
Watts $\Delta T60^{\circ}\text{C}$:	459

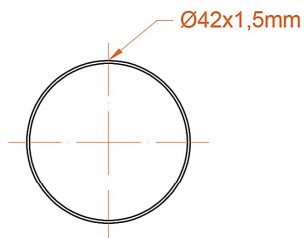
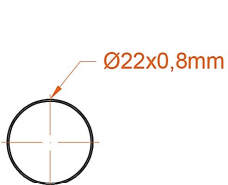
Drawing

Corinium Round 800 x 600mm. Technical Drawing



A SECTION

B SECTION



scale : 1/1