

ATTENTION, READ THESE INSTRUCTIONS BEFORE PROCEEDING

CASTILLA INSTALLATION GUIDE

THIS FURNITURE MUST BE INSTALLED BY A TRAINED FITTER WHO HAS EXPERIENCE OF FITTING FURNITURE IN BATHROOMS.

CHECK ALL PRODUCTS CAREFULLY BEFORE FITTING. DO NOT FIT ANY DEFECTIVE OR DAMAGED PRODUCT. CONTACT YOUR SUPPLIER IMMEDIATELY.

THE LOCATION WHERE THE FURNITURE IS FITTED SHOULD BE WELL VENTILATED. THIS FURNITURE IS INTENDED TO WITHSTAND NORMAL HUMIDITY FOUND IN BATHROOMS. IT MUST NEVER BE EXPOSED TO DIRECT WATER SPLASHING OR SOAKING FROM SHOWER HEADS, BATHWATER OR OTHER WATER OUTLET. ALWAYS DRY IMMEDIATELY IF THE FURNITURE IS WET.

DO NOT COMPRESS OR BUTT-UP ANY CARCASE TO A WALL OR OTHER OBJECT AS THIS CAN ADVERSELY AFFECT THE DOORS AND CAN CAUSE STRESS CRACKS IN THE LACQUER FINISH.

ANY CUT EDGES MUST BE EFFECTIVELY RE-SEALED TO AVOID DAMP PENETRATION. FAILURE TO DO THIS WILL NULLIFY THE GUARANTEE.

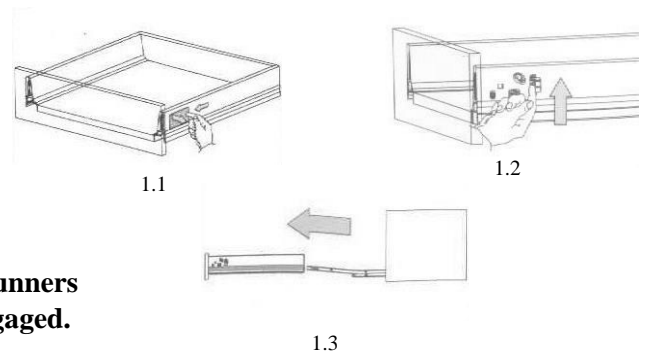
NEVER USE STRONG DETERGENTS OR ABRASIVE CLEANERS AS THESE CAN DAMAGE THE FURNITURE AND THE TOPS. WIPE WITH A WET CLOTH AND A MILD LIQUID CLEANER.

NARROW DEPTH UNITS MUST BE SECURED BACK TO THE WALL. DO NOT TRY TO FIT ANY TOP TO THESE UNITS UNTIL THEY ARE PROPERLY FIXED AND SECURE.

WHERE BASINS ARE FITTED TO THE FURNITURE, THE SURFACES BETWEEN THE BASIN AND THE TOP OF THE FURNITURE MUST BE COMPLETELY SEALED WITH SILICONE.

1.-DRAWER REMOVAL

- Remove the protective caps from the drawer. (1.1)**
- Move up the side tabs. (1.2)**
- Raise drawer gently and pull out horizontally. (1.3)**



To refit the drawer, extend the runners, lay the drawer on the runners and holding the runners push the drawer in until completely engaged.

2.-FITTING THE CARCASE

- Adjustable wall fixings are already fitted to the carcass. Fix the wall brackets supplied to the wall at the required height so that they match the fixings on the carcass.**
- Adjust the level when fitted. (2.1 and 2.2)**

For lateral stability, the carcass must then always be fixed back to the wall through the holes shown in the diagram (2.3) with the screws provided.

