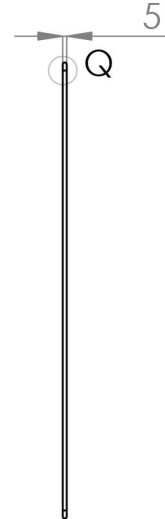
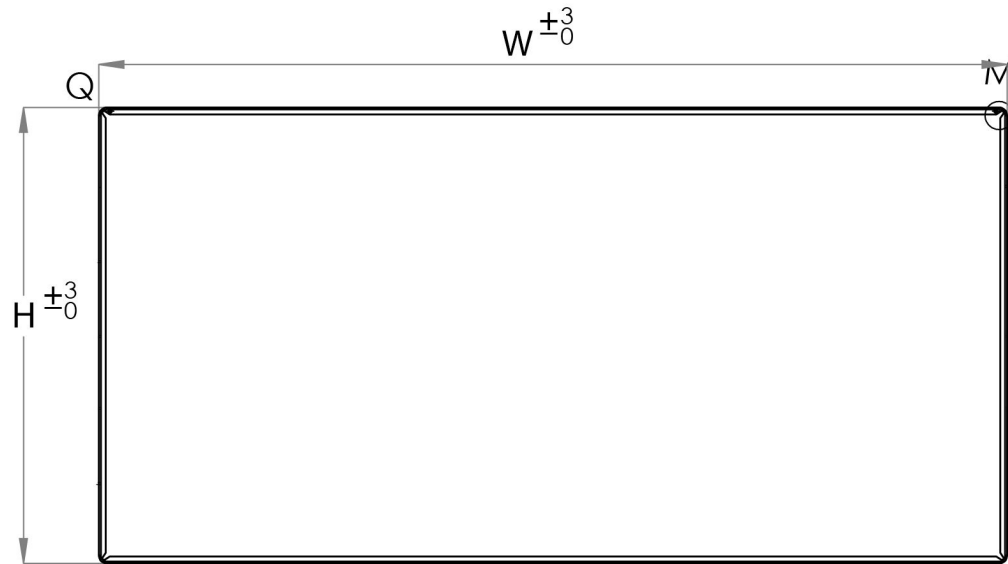


# Flat Cover Plate

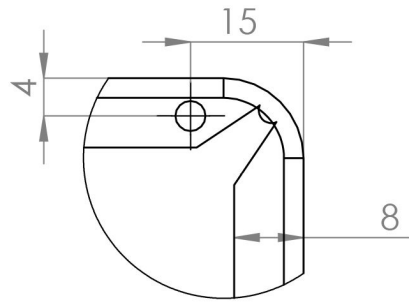
## Technical Drawing



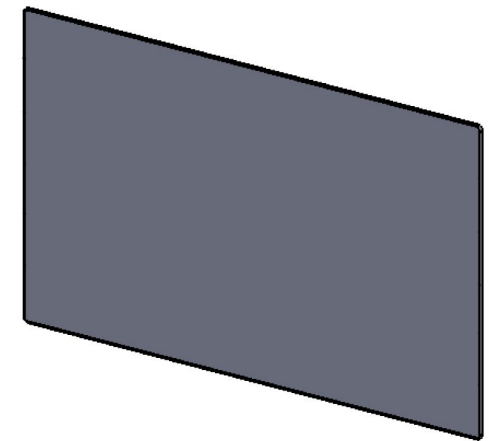
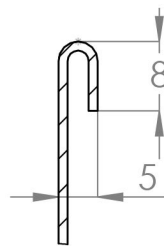
H  
300mm.....600mm

W  
400mm.....2000mm

DETAIL M  
SCALE 1 : 1



DETAIL Q  
SCALE 1 : 1



**Eastbrook** 

Eastbrook Road, Gloucester GL4 3DB

Technical Helpline : 01452 317890

Mon - Fri / 8am - 5pm

Email : [technical@eastbrookco.com](mailto:technical@eastbrookco.com)