

## DATASHEET

### Image

---



### General Information

---

Product:	41.0571
Description:	Warrington Towel Hanger 300mm
Website Link:	<a href="#">(Click Here)</a>
Product Type:	Towel Hanger
Brand:	Eastbrook Company
Colour:	Matt Anthracite
Material:	Mild Steel
Width (mm):	300mm
Net Weight (kg):	0.63kg
Product Range:	Warrington

### Product Specifications

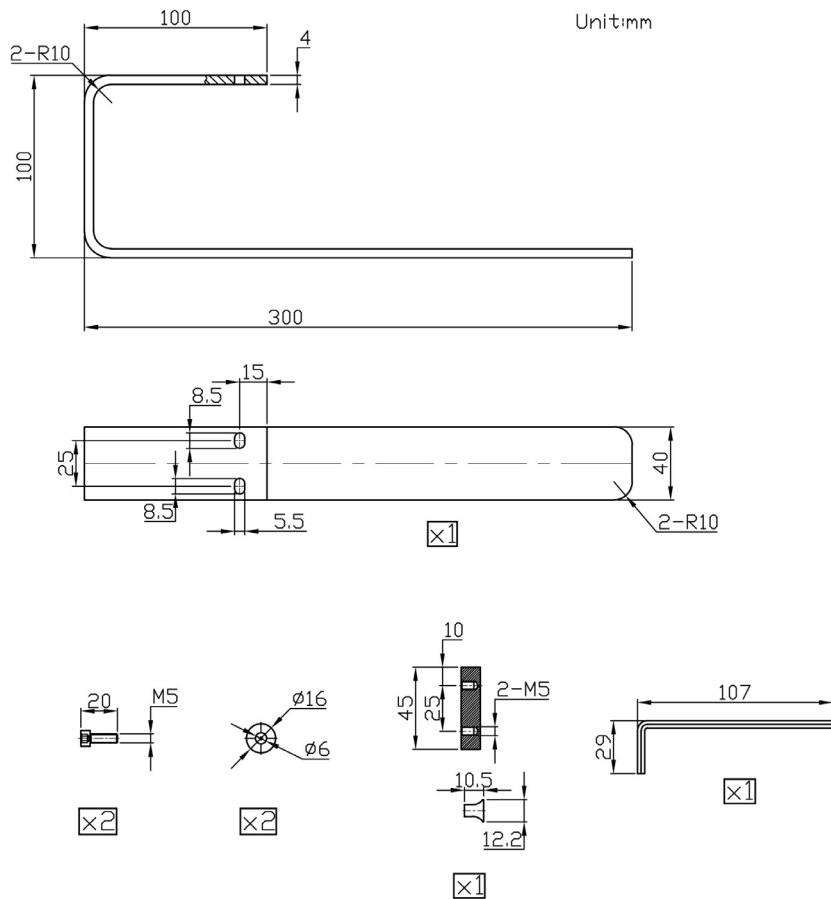
---

Warranty:	5 Year(s)
-----------	-----------

## Drawing

### Warrington Towel Hanger 300mm.

#### Technical Drawing



**Eastbrook**   
Eastbrook Road, Gloucester GL4 3DB  
Technical Helpline : 01452 317890  
Mon - Fri / 8am - 5pm  
Email : [technical@eastbrookco.com](mailto:technical@eastbrookco.com)