

DATASHEET

Image



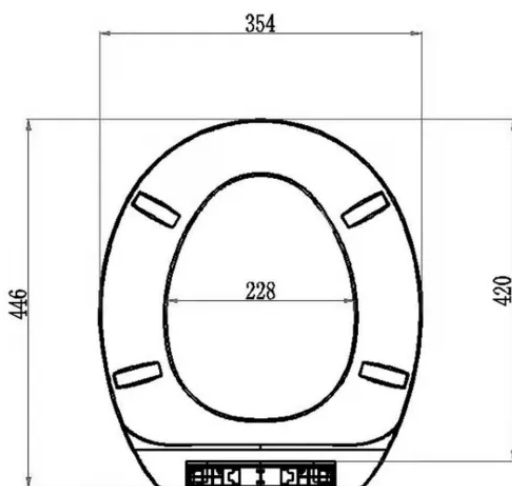
General Information

| | |
|-----------------------|--------------------------|
| Product: | 63.0021 |
| Description: | Ashcombe soft close seat |
| Product Type: | Toilet Seat |
| Brand: | Eastbrook Company |
| Colour: | White |
| Height (mm): | 55mm |
| Width (mm): | 354mm |
| Length (mm): | 446mm |
| Net Weight (kg) (kg): | 1.2kg |
| Product Range: | Ashcombe |

Product Specifications

| | |
|-----------|-----------|
| Warranty: | 1 Year(s) |
|-----------|-----------|

Drawing



unit:mm