

## DATASHEET

### Image



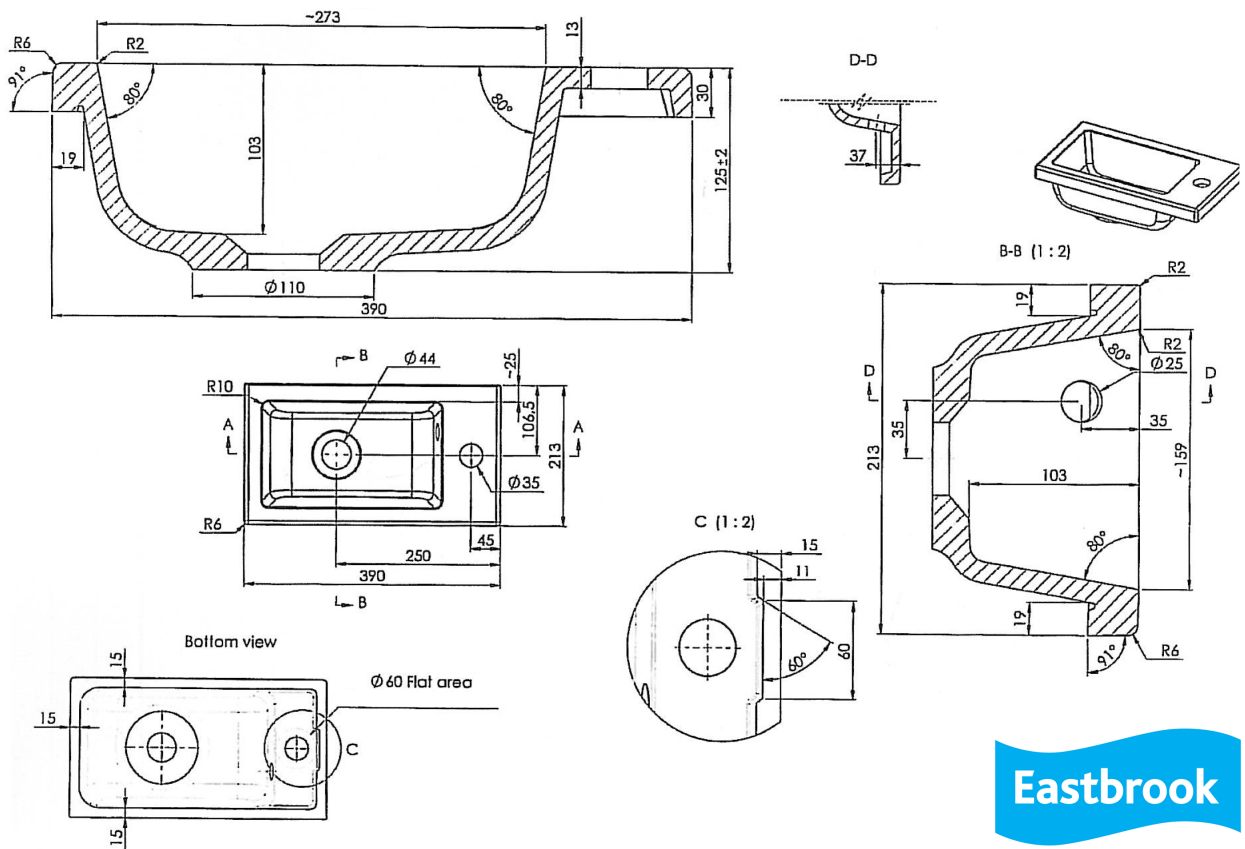
### General Information

Product:	51.025
Description:	Quantum 390 cast top
Website Link:	<a href="#">(Click Here)</a>
Product Type:	Basin
Brand:	Eastbrook Company
Colour:	White
Material:	Cast Marble
Height (mm):	125mm
Width (mm):	213mm
Length (mm):	390mm
Net Weight (kg):	4.6kg
Product Range:	Quantum

### Product Specifications

Warranty:	2 Year(s)
Finish:	Gloss
Supplied with fixings:	No
Overflow present:	Yes
Compatible Tap Types:	Wall or deck mounted
Pre-drilled tap holes:	Yes
Number of Tap holes:	1

## Drawing



Eastbrook Road, Gloucester GL4 3DB  
Technical Helpline: 01452 317890  
email: technical@eastbrookco.com