

DATASHEET

Image



General Information

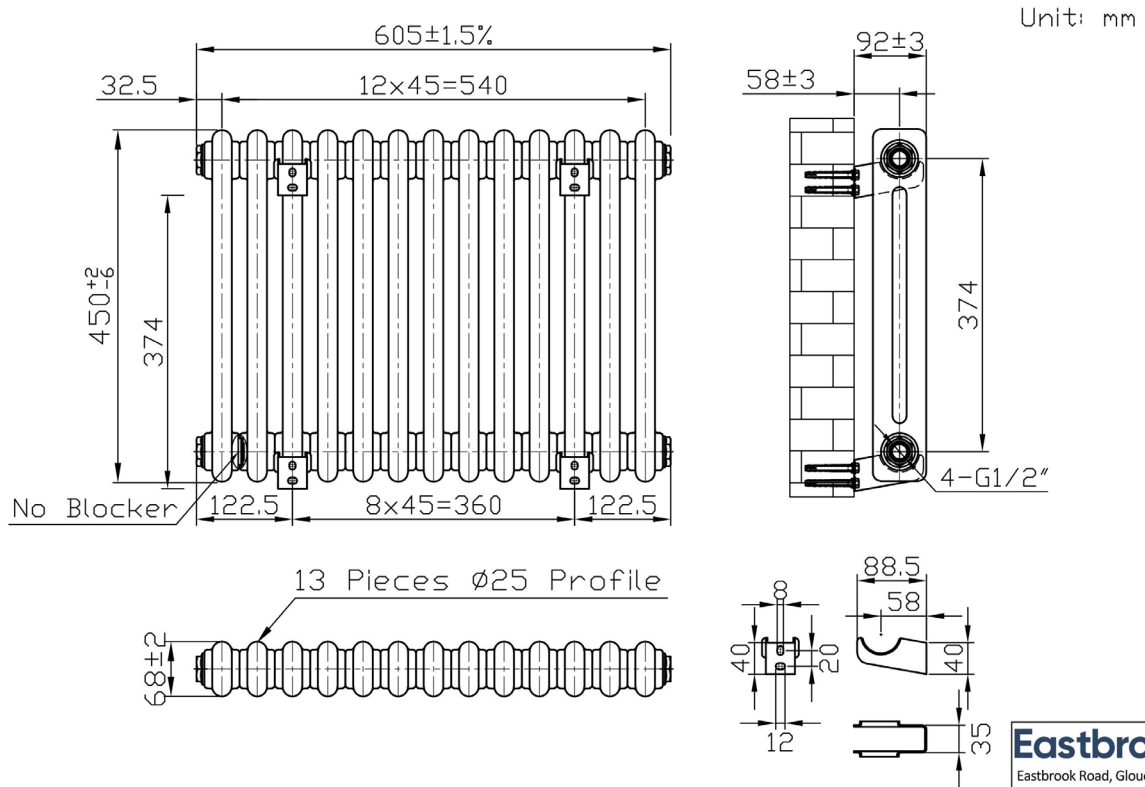
Product:	41.0909
Description:	Imperia 2 Column Radiator 450 x 605mm
Product Type:	Radiator
Brand:	Eastbrook Company
Colour:	Matt Anthracite
Material:	Mild Steel
Height (mm):	450mm
Width (mm):	605mm
Net Weight (kg):	10.65kg
Product Range:	Imperia

Product Specifications

Warranty:	5 Year(s)
Finish:	Matt
BTU $\Delta T50^{\circ}\text{C}$:	1596
BTU $\Delta T60^{\circ}\text{C}$:	2012
Watts $\Delta T50^{\circ}\text{C}$:	468
Watts $\Delta T60^{\circ}\text{C}$:	590

Drawing

Imperia 2 Column Horizontal 450 x 605mm. Painted Technical Drawing



Eastbrook 
Eastbrook Road, Gloucester GL4 3DB
Technical Helpline : 01452 317890
Mon - Fri / 8am - 5pm
Email : technical@eastbrookco.com