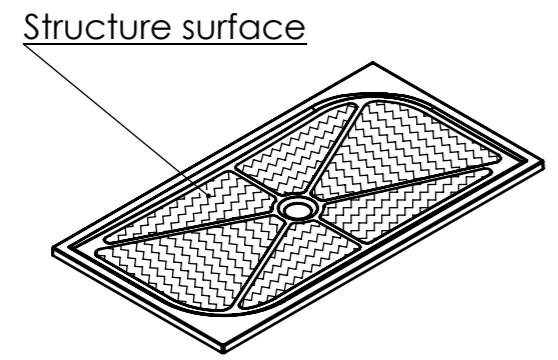
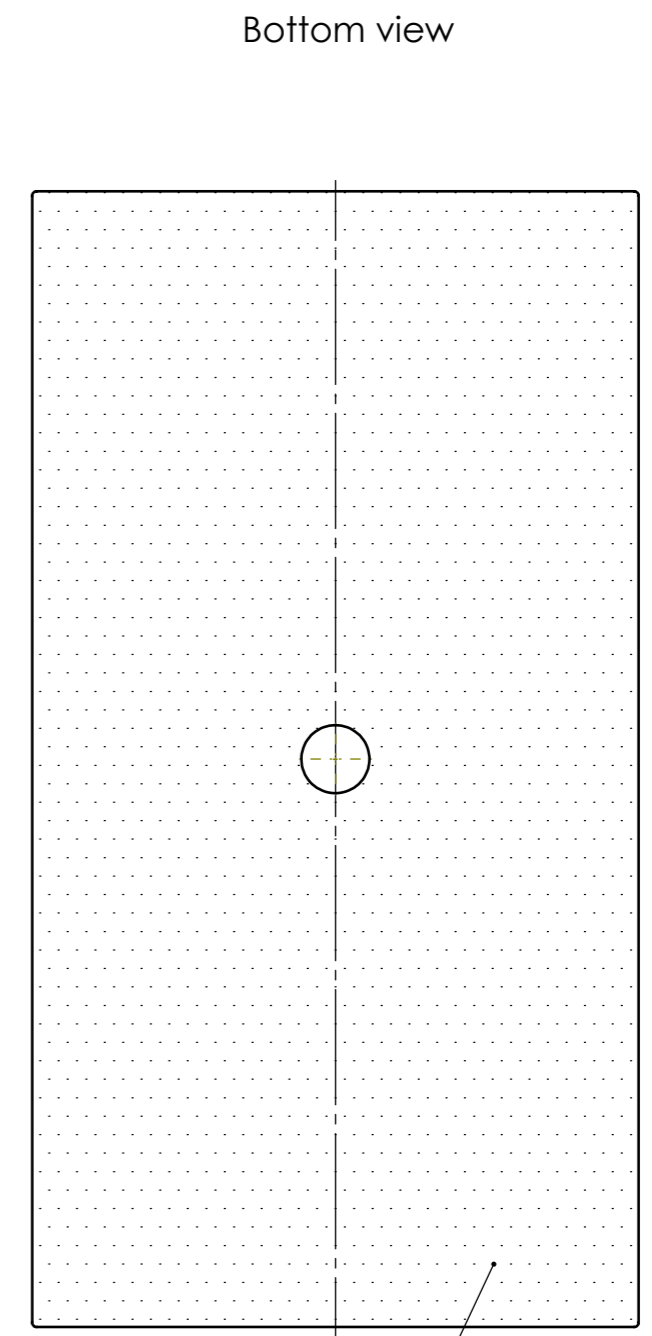
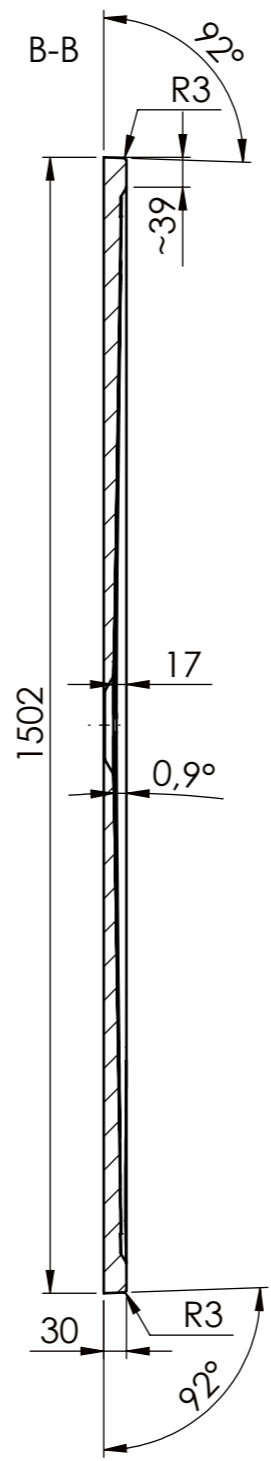
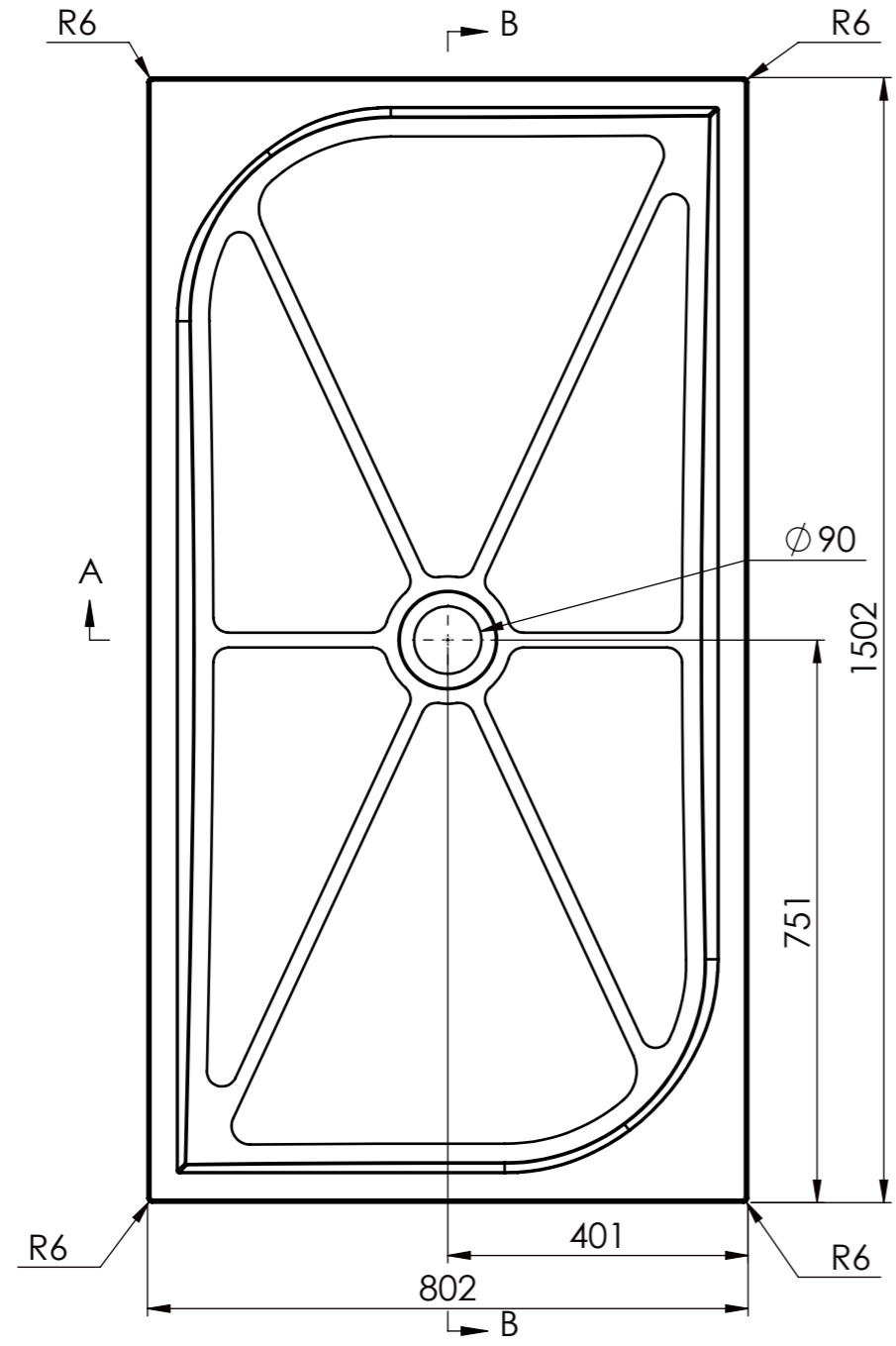
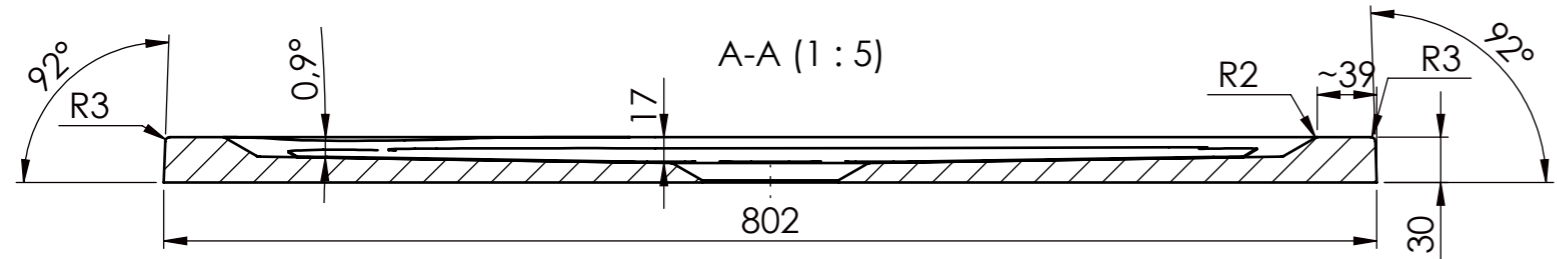


Rev	Design Change Note	Author	Date
001	First issue	KW	2023-01-09



Tolerance length/width	+5/0 mm	Drawn by	Katarzyna W	Created Date	2016-05-05	Checked by	Rafal B	Art. Name: ST VANGUARD 25 1500x800				
Tolerance height	+2/-2 mm	Project status	Approved	EASTBROOK				6040691530xx		Mould No: FA065153		
Tolerance plane bending	≤ 1200 mm +2/-2 mm ≥ 1200 mm +3/-3 mm											
Tolerance thickness	+2/-2 mm	Material volume [mm ³]	24922456.5	Overflow	NO	Tap hole	0	Main dimensions L x W / H [mm]	1502 x 802 / 38		Drain	Regular
Tolerance feet location	+7/-7 mm	Surface area [mm ²]	2541354.9	Sheet Size	A3	Scale	1:10			Current revision		001
Tolerance holes location	+2/-2 mm											
Tolerance holes diameter	+1/-1 mm											