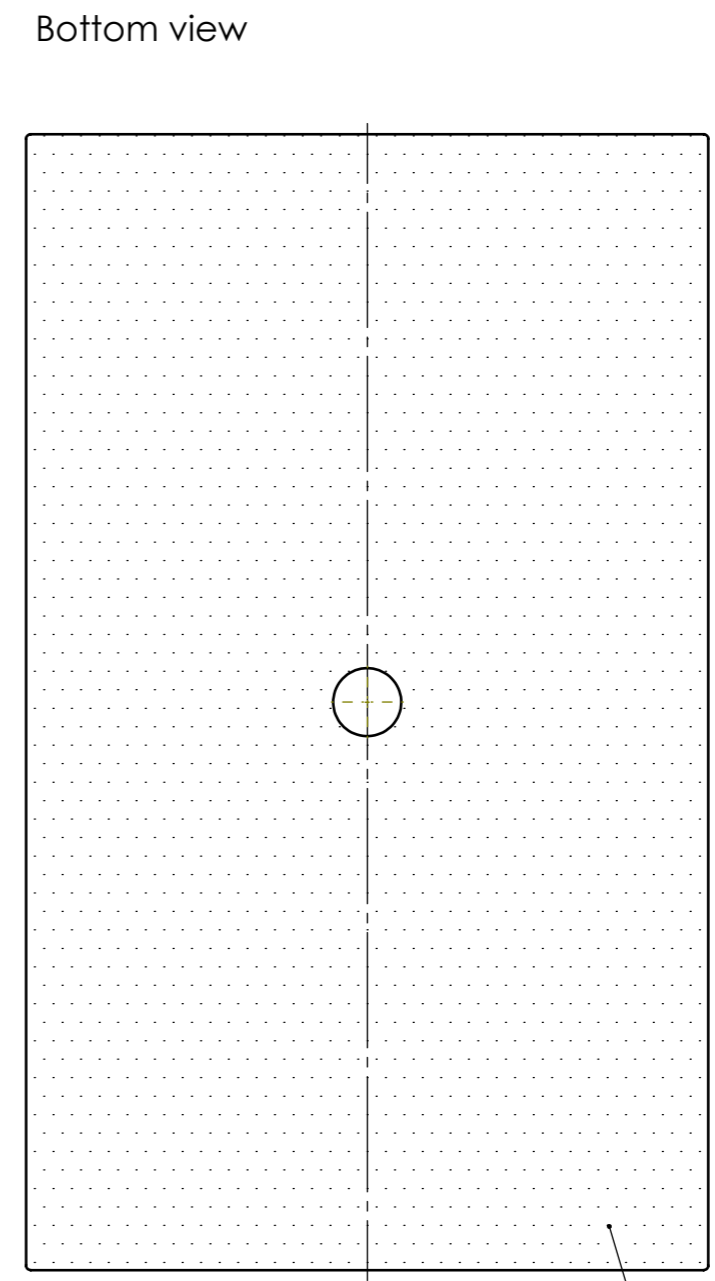
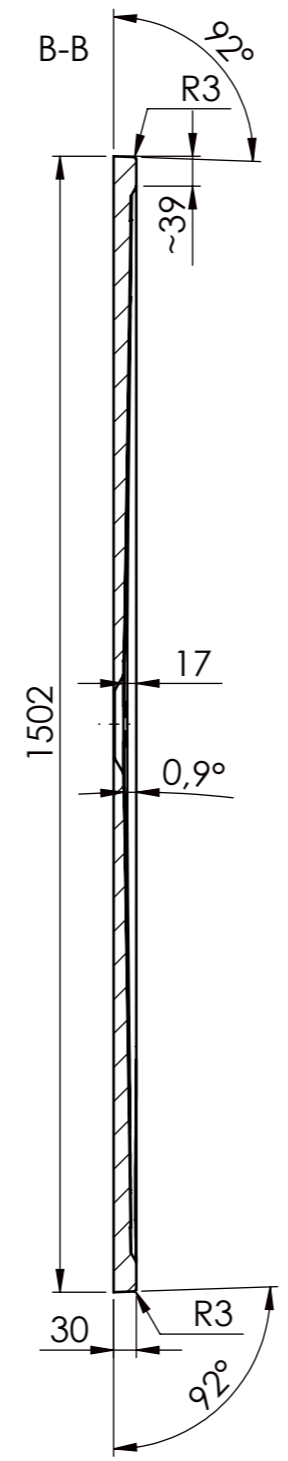
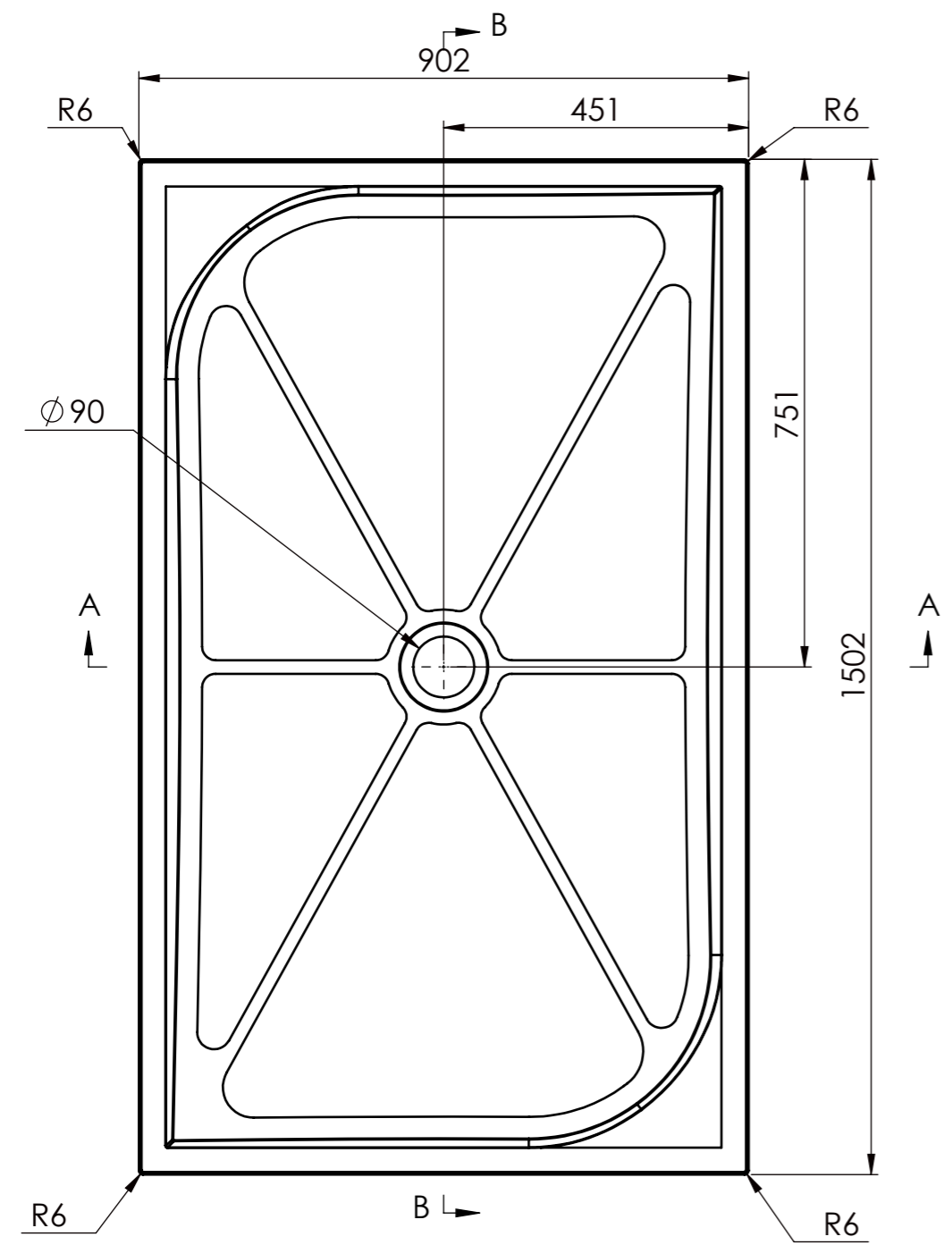
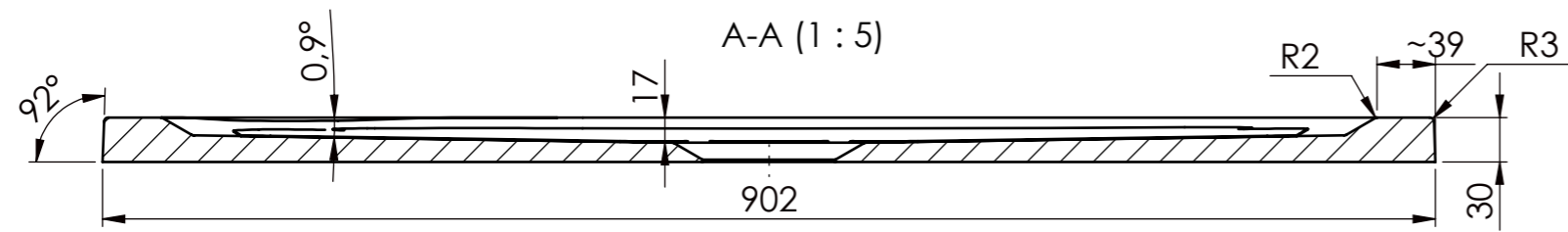
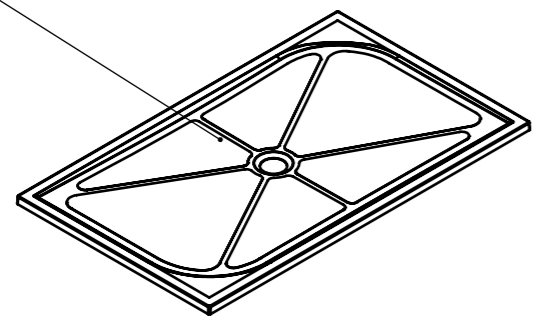


Rev	Design Change Note	Author	Date
001	First issue	KW	2023-03-21



Structure surface



Tolerance length/width	+5/0 mm	Drawn by	Katarzyna W	Created Date	2016-05-05	Checked by	Rafal B	Art. Name:	VANGUARD 25 1500x900		
Tolerance height	+2/-2 mm	Project status	Approved	EASTBROOK		Art. No.:	6040741530xx	Mould No.:	FA066153		
Tolerance plane bending	<1200 mm +2/-2 mm ≥1200 mm +3/-3 mm	Material volume [mm³]	28059847.5	Overflow	NO	Tap hole	0	Main dimensions L x W / H [mm]	1502 x 902 / 30		
Tolerance thickness	+2/-2 mm	Surface area [mm²]	2846104.6	Sheet Size	A3	Scale	1:10	Drain	Regular		
Tolerance feet location	+7/-7 mm	Current revision		001							
Tolerance holes location	+2/-2 mm										
Tolerance holes diameter	+1/-1 mm										