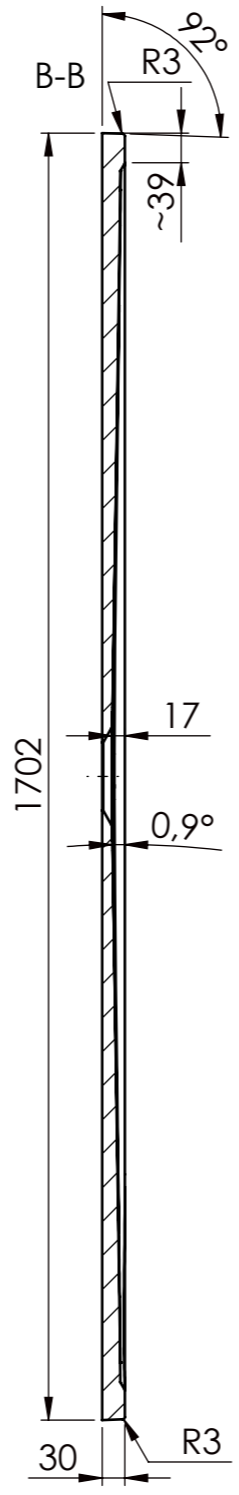
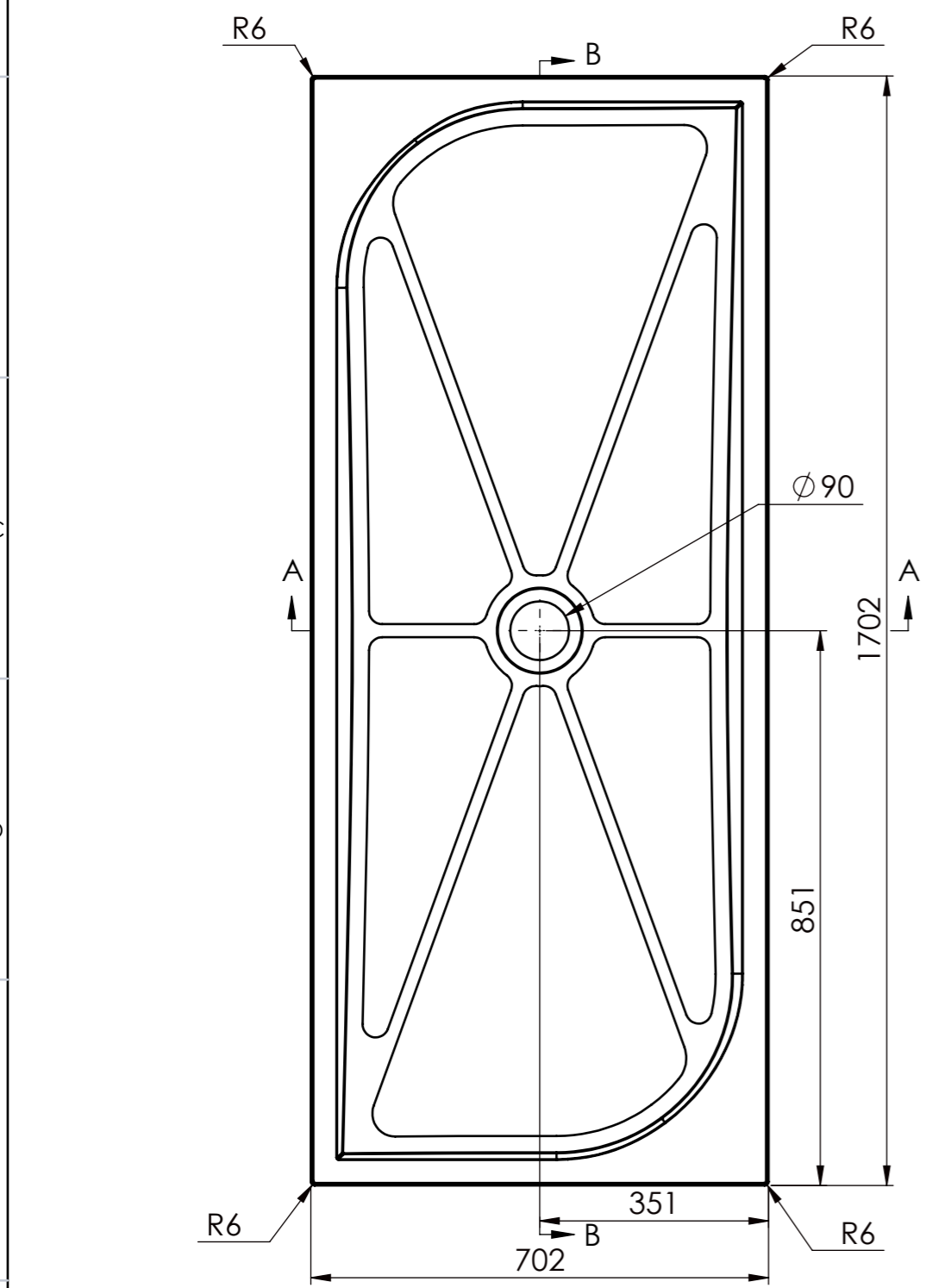
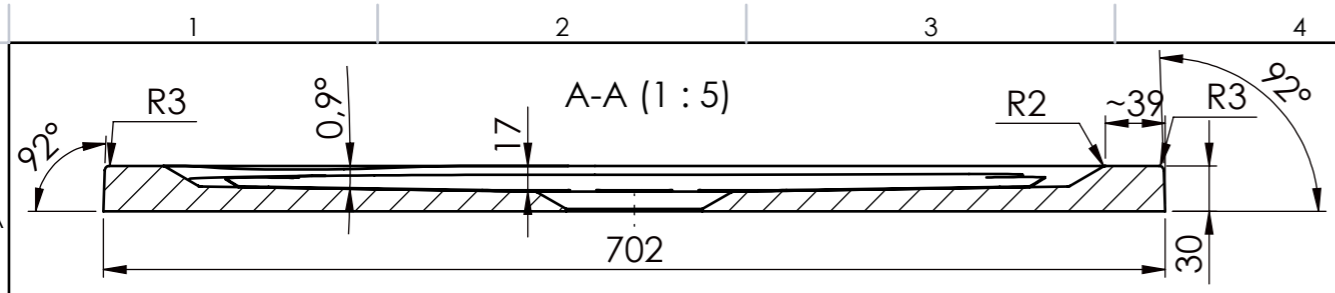
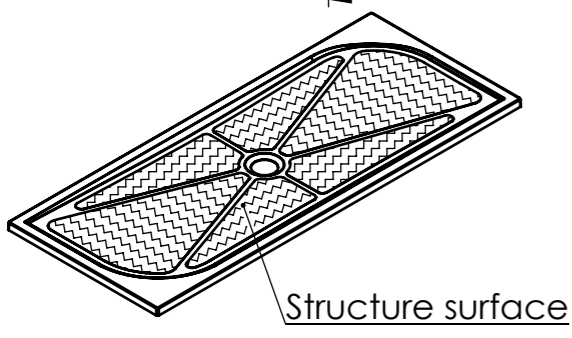
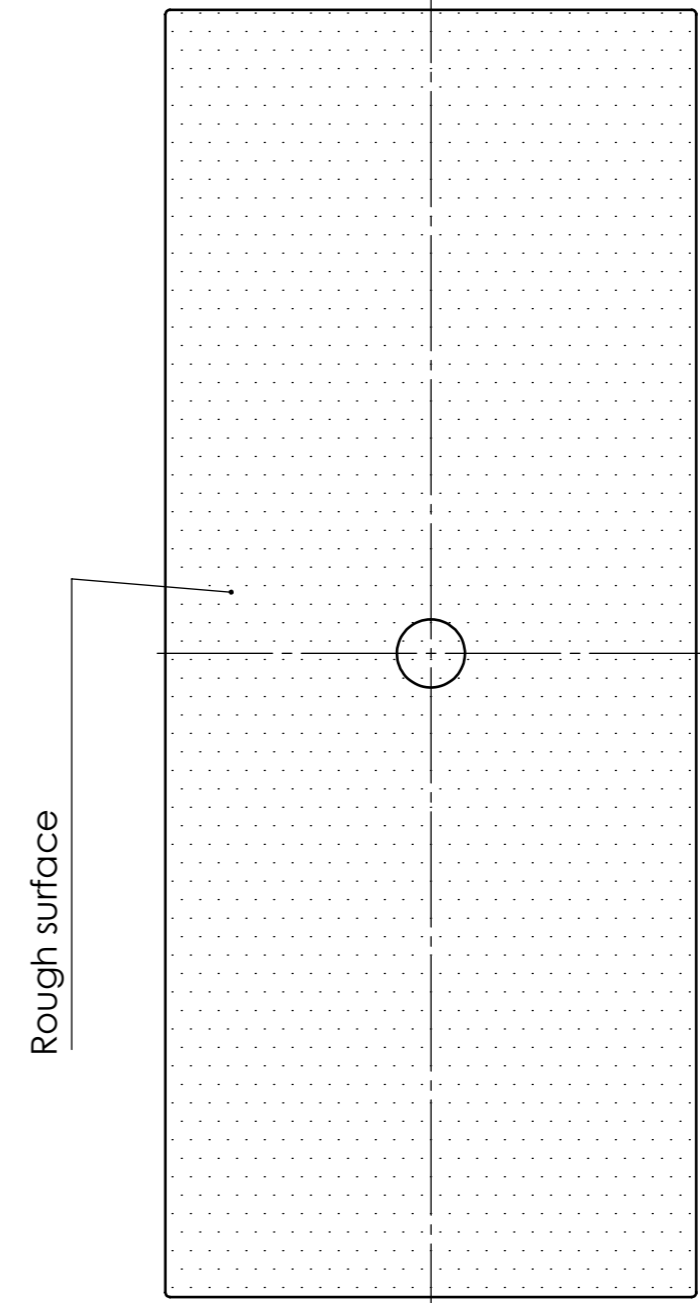


Rev	Design Change Note	Author	Date
001	First issue	KW	2023-01-09



Bottom view



Tolerance length/width	+5/0 mm	Drawn by	Katarzyna W	Created Date	2016-05-05	Checked by	Rafal B	Art. Name:	VANGUARD 25 1700x700				
Tolerance height	+2/-2 mm	Project status	Approved	EASTBROOK		Art. No.:	6040711730xx	Mould No.:	FA065173				
Tolerance plane bending	<1200 mm +2/-2 mm ≥1200 mm +3/-3 mm							Customer ID:	3119				
Tolerance thickness	+2/-2 mm	Material volume [mm³]	25275243.0	Overflow	NO	Tap hole	0	Main dimensions L x W / H [mm]	1702 x 702 / 30			Drain	Regular
Tolerance feet location	+7/-7 mm	Surface area [mm²]	2526282.6	Sheet Size	A3	Scale	1:10	Current revision		001			
Tolerance holes location	+2/-2 mm												
Tolerance holes diameter	+1/-1 mm												