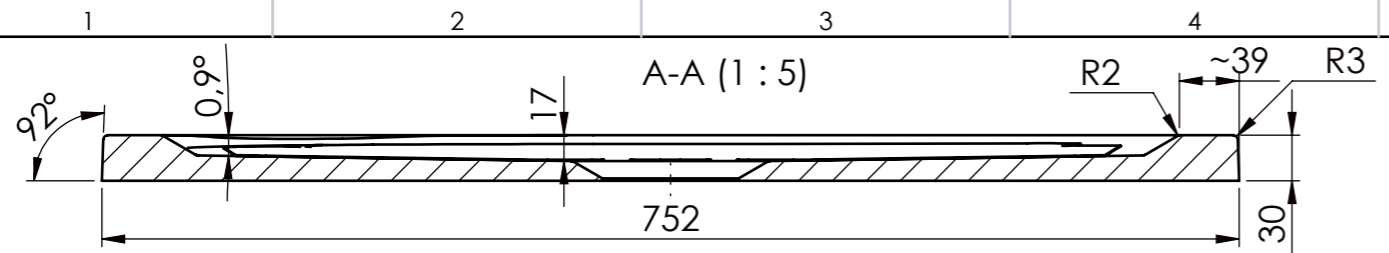
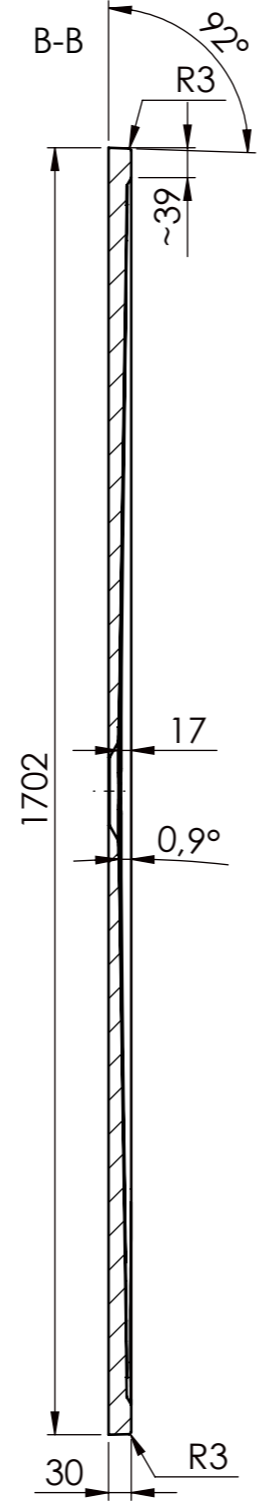
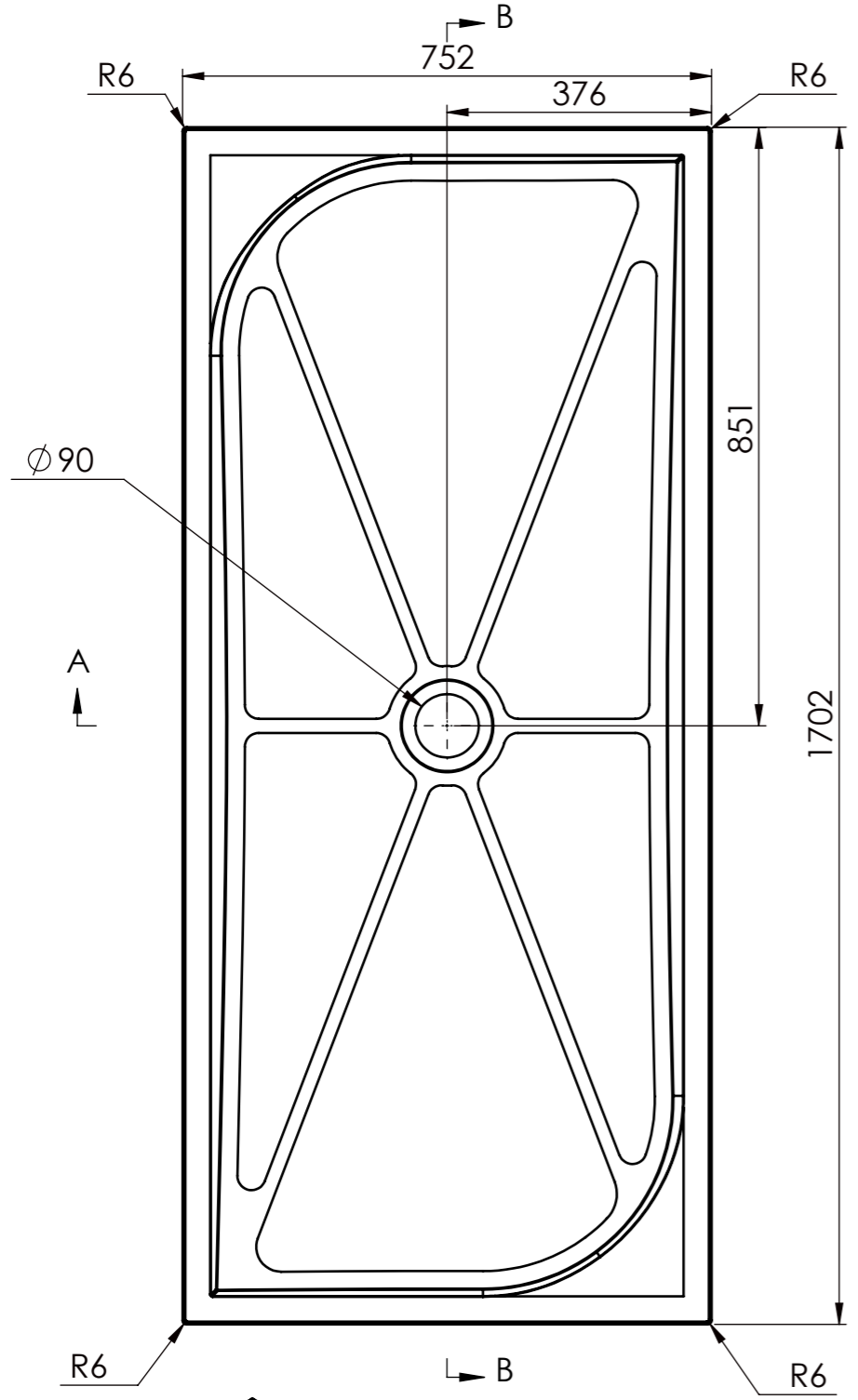
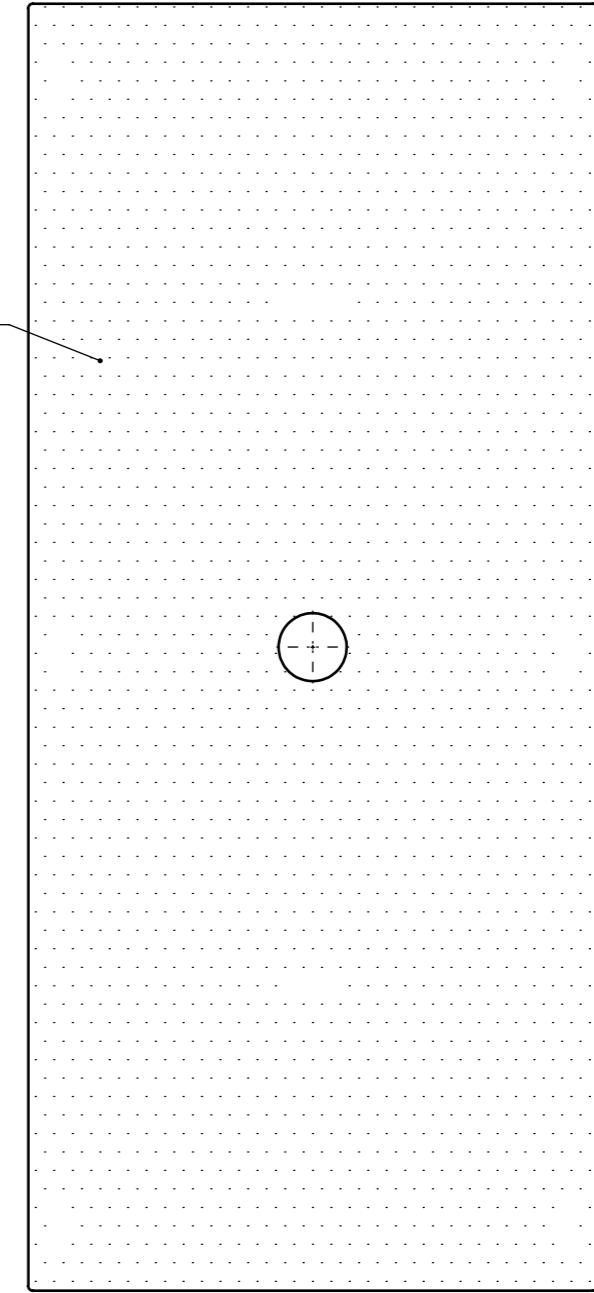


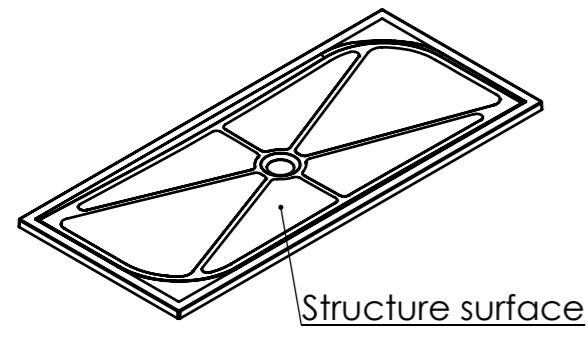
Rev	Design Change Note	Author	Date
001	First issue	KW	2023-01-09

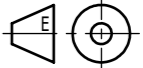


Bottom view



rough surface



Tolerance length/width	+5/0 mm	Drawn by	Wesoty K	Created Date	2016-05-05	Checked by	Rafal B	Art. Name:	VOLENTE 25 1700x750						
Tolerance height	+2/-2 mm	Project status	Approved	EASTBROOK		Art. No.:	6040731730xx	Mould No.:	FT067173						
Tolerance plane bending	≤ 1200 mm +2/-2 mm ≥ 1200 mm +3/-3 mm	Customer ID:		3119		Material volume [mm ³]	27051673.6	Overflow	NO	Tap hole	0	Main dimensions L x W / H [mm]	1702 x 752 / 38	Drain	Regular
Tolerance thickness	+2/-2 mm	Surface area [mm ²]	2699418.2	Sheet Size	A3	Scale	1:10	Current revision		001					
Tolerance feet location	+7/-7 mm														
Tolerance holes location	+2/-2 mm														
Tolerance holes diameter	+1/-1 mm														