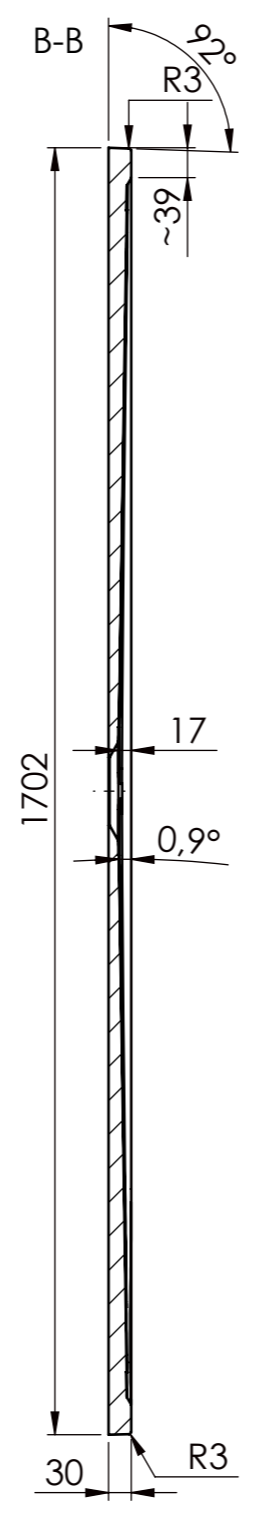
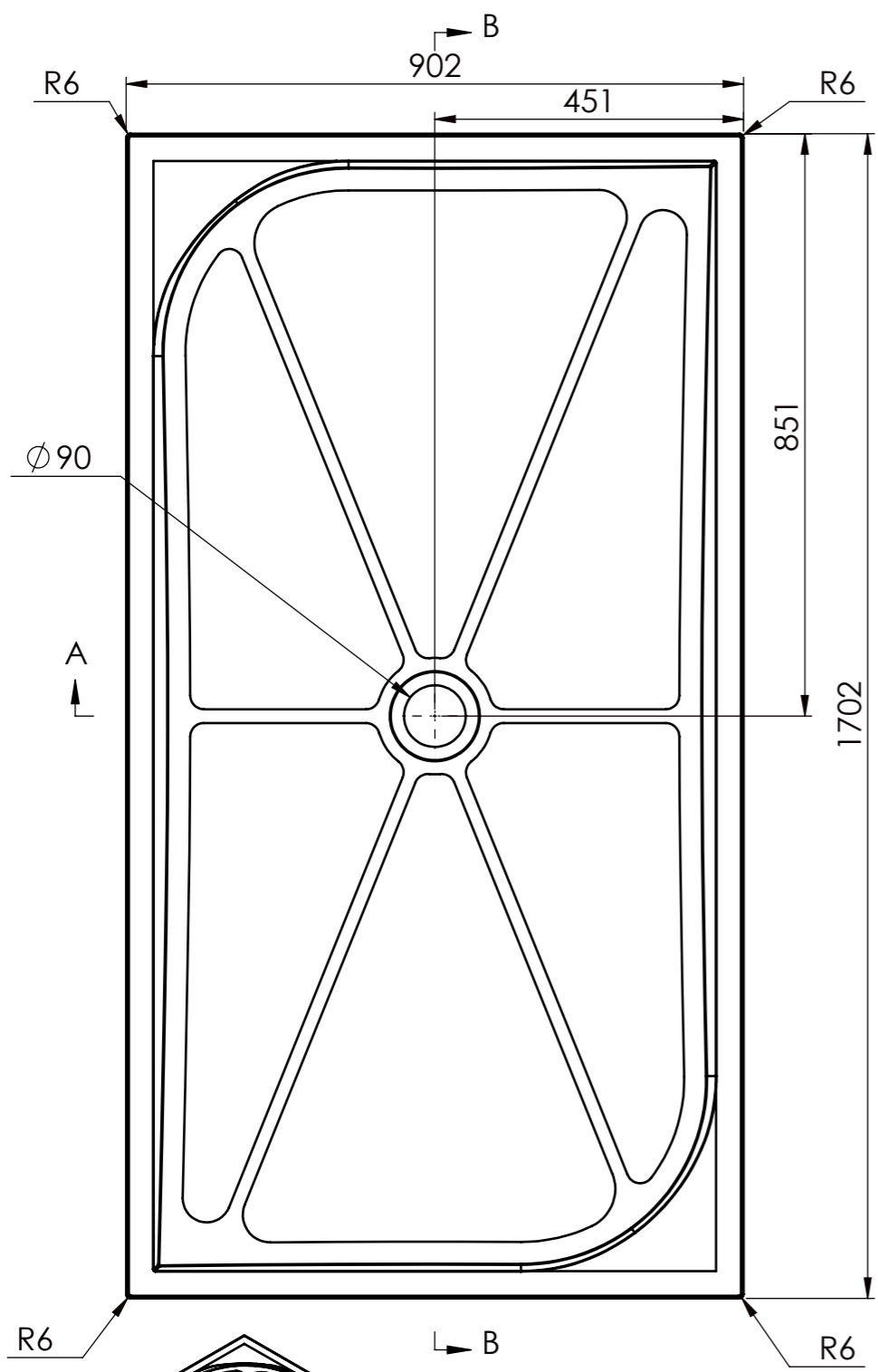
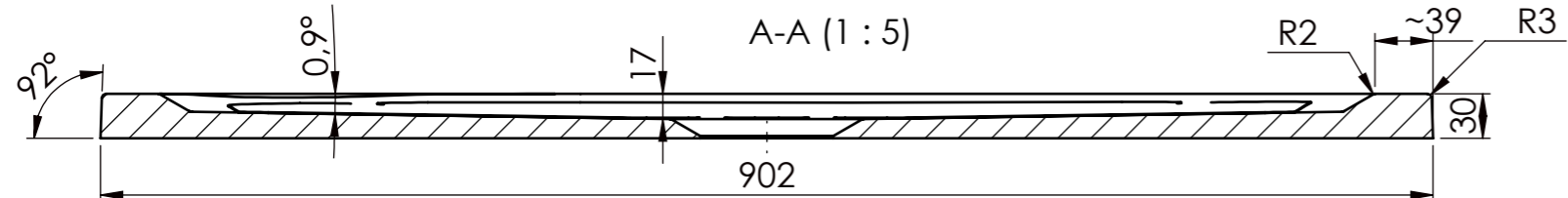
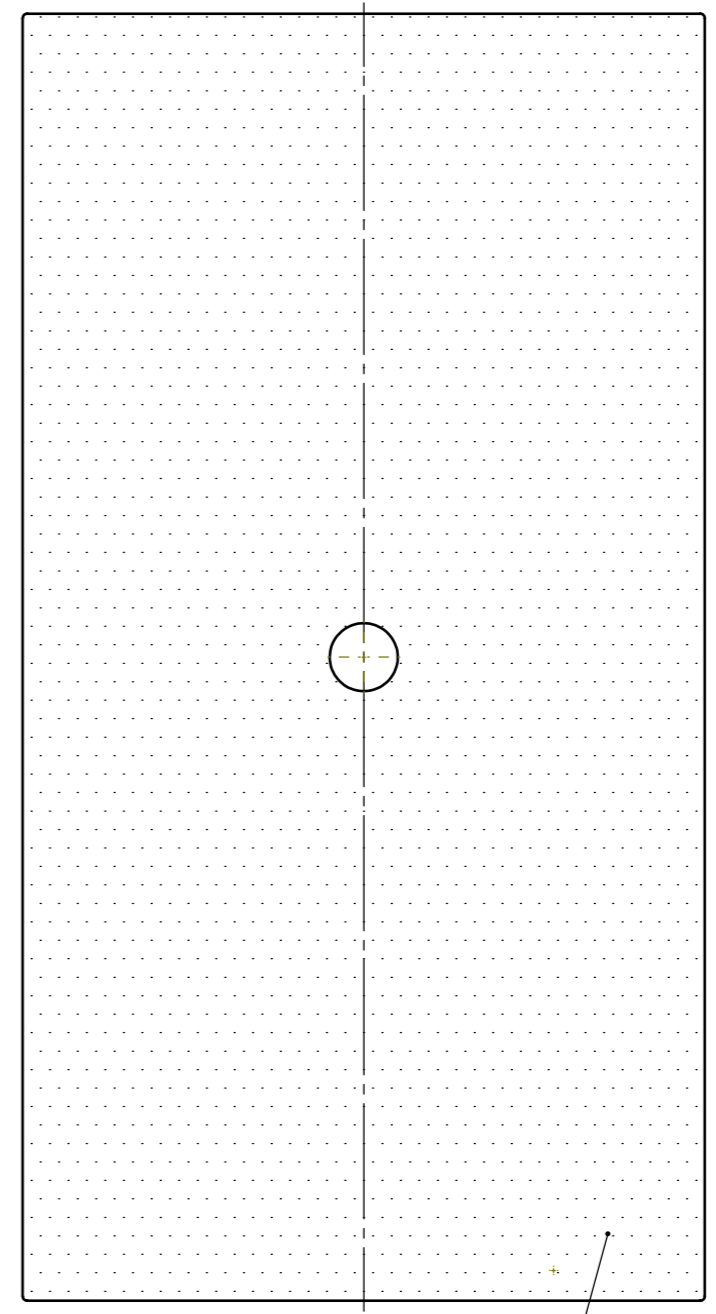


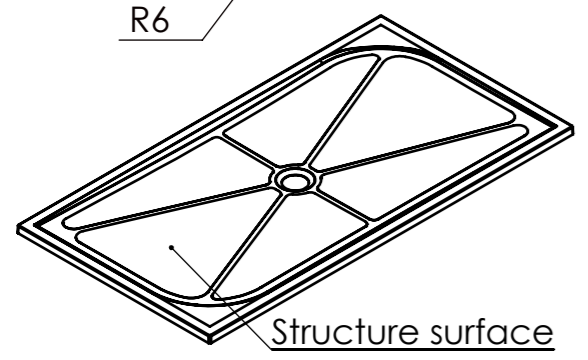
Rev	Design Change Note	Author	Date
001	First issue	KW	2023-03-21



Bottom view



rough surface



Tolerance length/width	+5/0 mm	Drawn by	Katarzyna W	Created Date	2016-05-05	Checked by	Rafal B	Art. Name:	VANGUARD 25 1700x900		
Tolerance height	+2/-2 mm	Project status	Approved	EASTBROOK		Art. No.:	6040741730xx	Mould No.:	FA066173		
Tolerance plane bending	$\leq 1200$ mm +2/-2 mm $\geq 1200$ mm +3/-3 mm	Customer ID:	3119			Material volume [mm <sup>3</sup> ]	Overflow	Tap hole	Main dimensions L x W / H [mm]	Drain	
Tolerance thickness	+2/-2 mm	Surface area [mm <sup>2</sup> ]	32487118.2	Sheet Size	A3	Scale	1:10	1702 x 902 / 38	Regular		
Tolerance feet location	+7/-7 mm	Current revision	001								
Tolerance holes location	+2/-2 mm										
Tolerance holes diameter	+1/-1 mm										