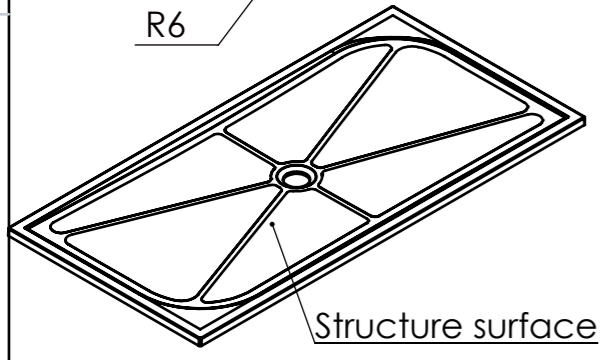
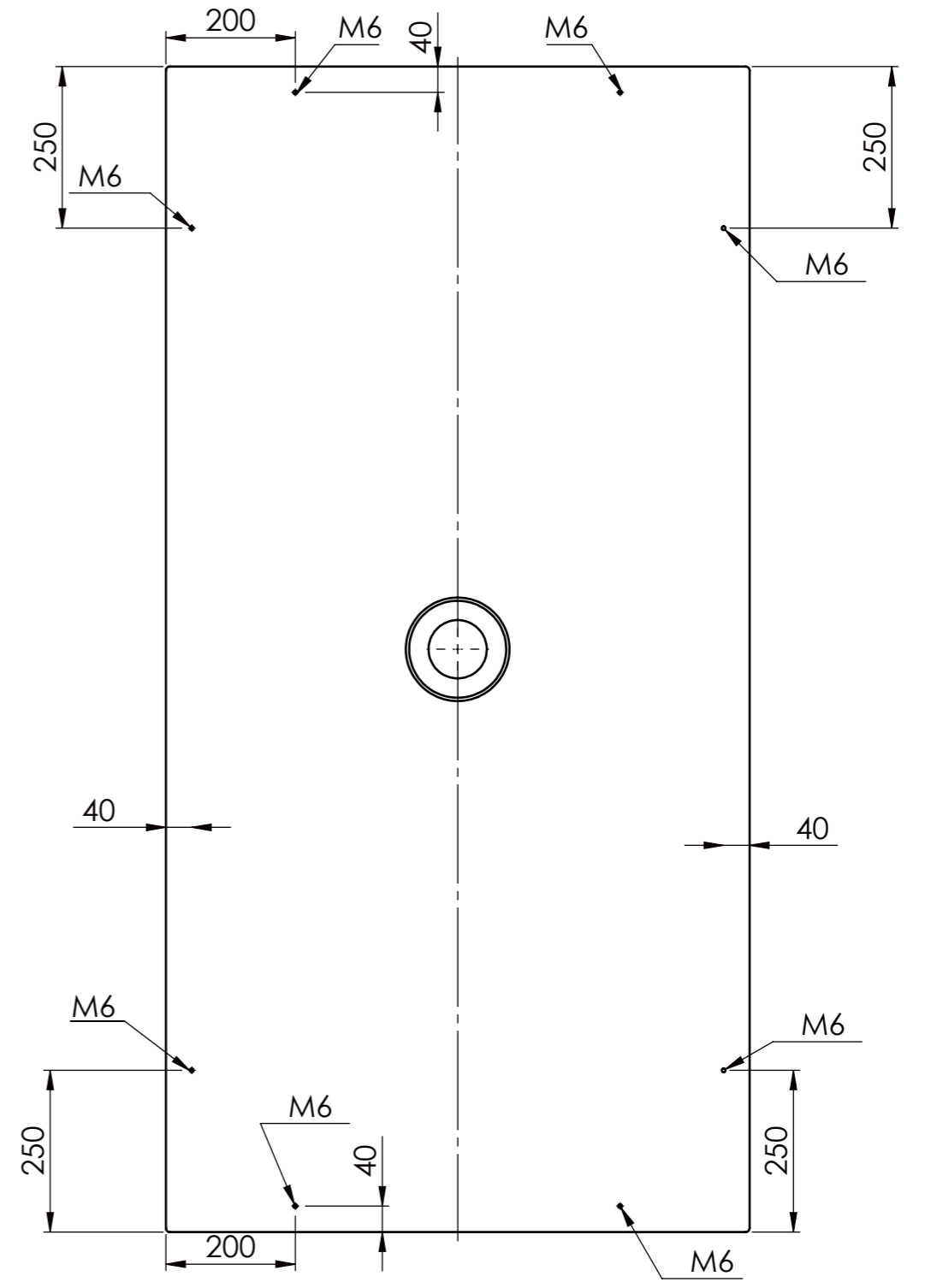
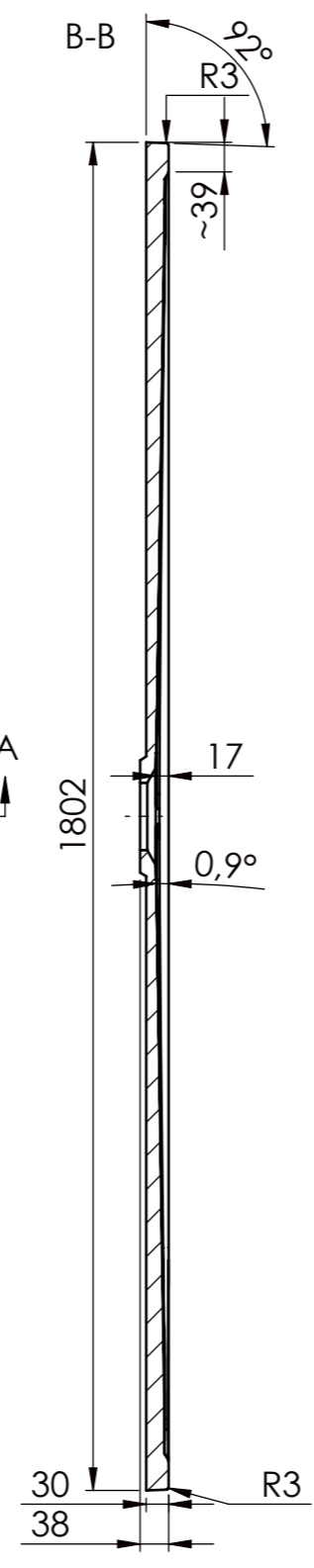
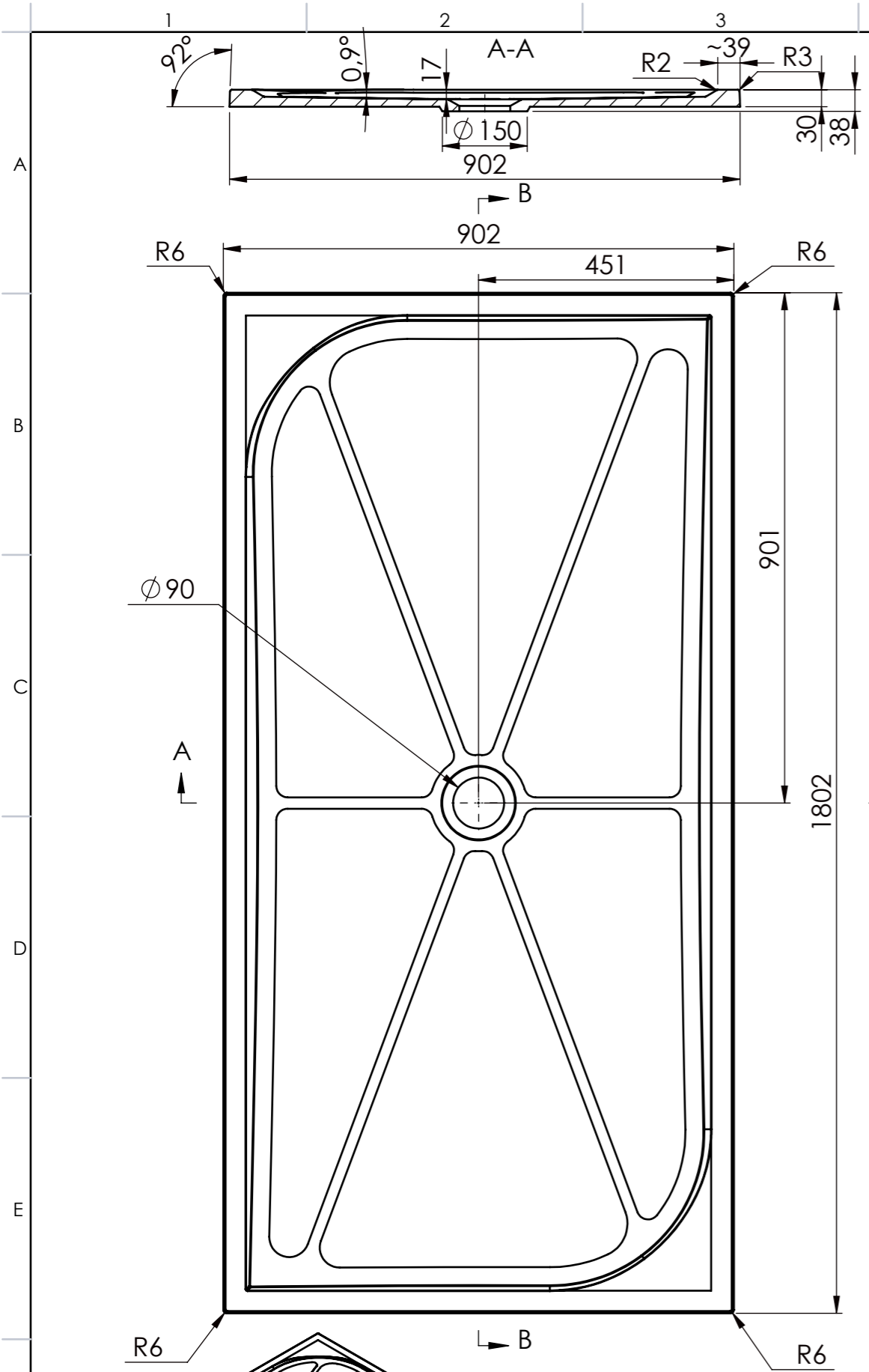


Rev	Design Change Note	Author	Date
002	Approved by the client	KW	2016-06-09
003	Size and type of screw corrected	RB	2016-09-06
004	M8 bearings removed	AA	2020-06-22

Bottom view - front position



Notes
1. M6 plastic bearings

Tolerance length/width	+5/0 mm	Drawn by	Katarzyna W	Created Date	2016-05-05	Checked by	Rafal B	Art. Name:	VOLENTE 25 1800x900		
Tolerance height	+2/-2 mm	Project status	Approved	EASTBROOK		Art. No.:	6040661830xx	Mould No.:	F4066183		
Tolerance plane bending	<1200 mm +2/-2 mm ≥1200 mm +3/-3 mm			Customer ID:	3119						
Tolerance thickness	+2/-2 mm	Material volume [mm³]	34890053.6	Overflow	No	Tap hole	0	Main dimensions L x W / H [mm]	1802 x 902 / 38		
Tolerance feet location	+7/-7 mm	Surface area [mm²]	3409395.3	Sheet Size	A3	Scale	1:10	Drain	Regular		
Tolerance holes location	+2/-2 mm			Current revision	004						
Tolerance holes diameter	+1/-1 mm										