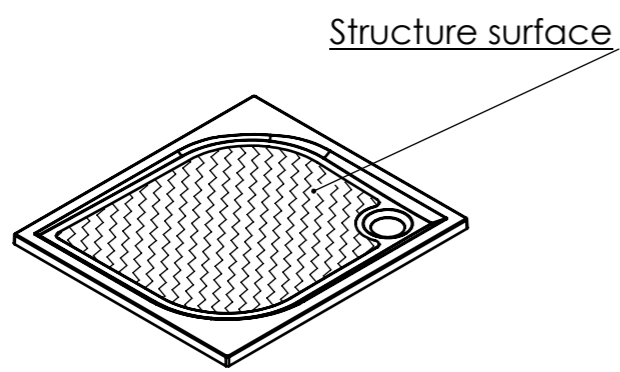
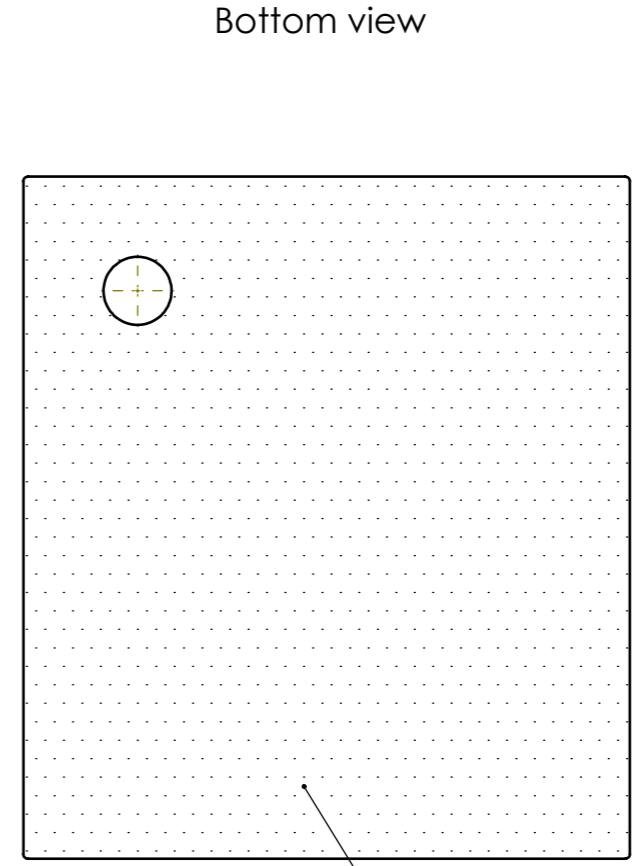
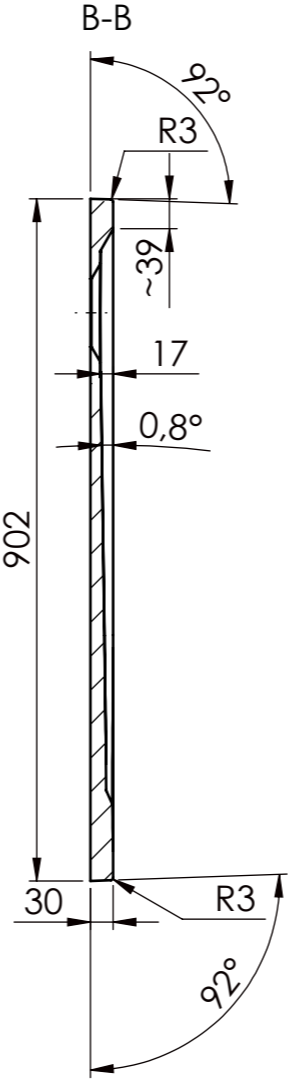
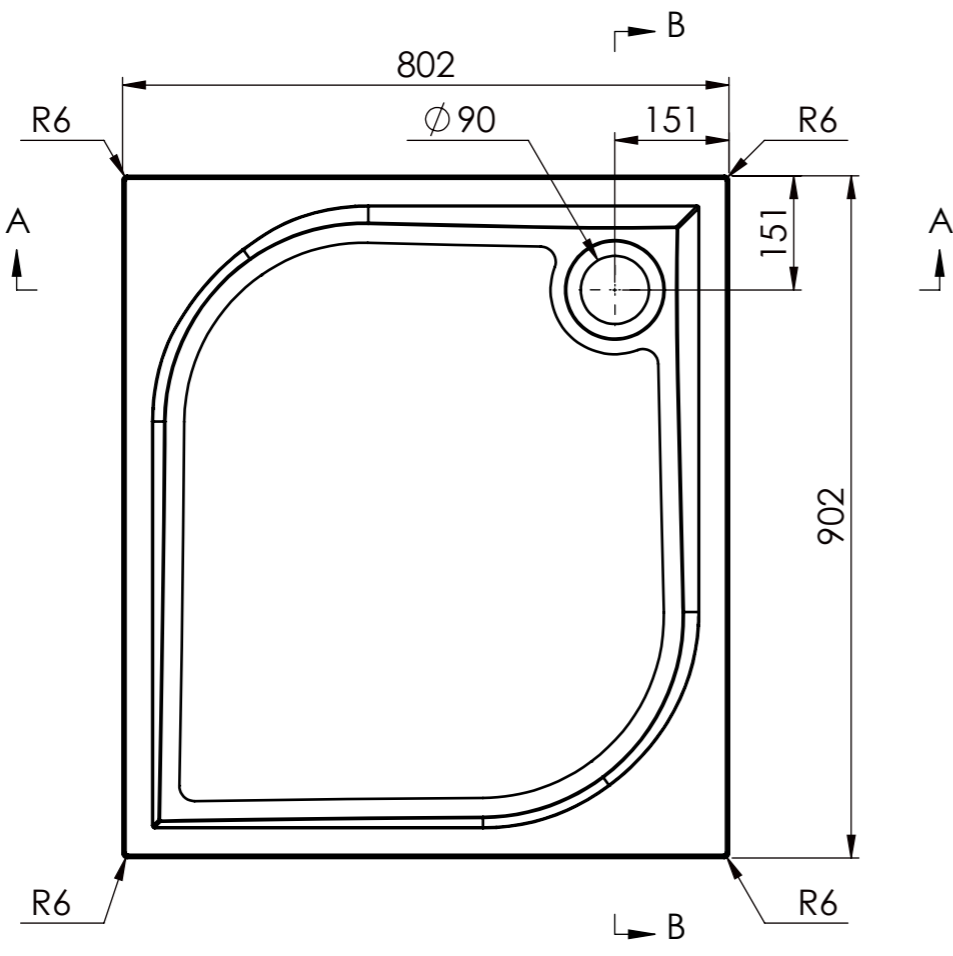
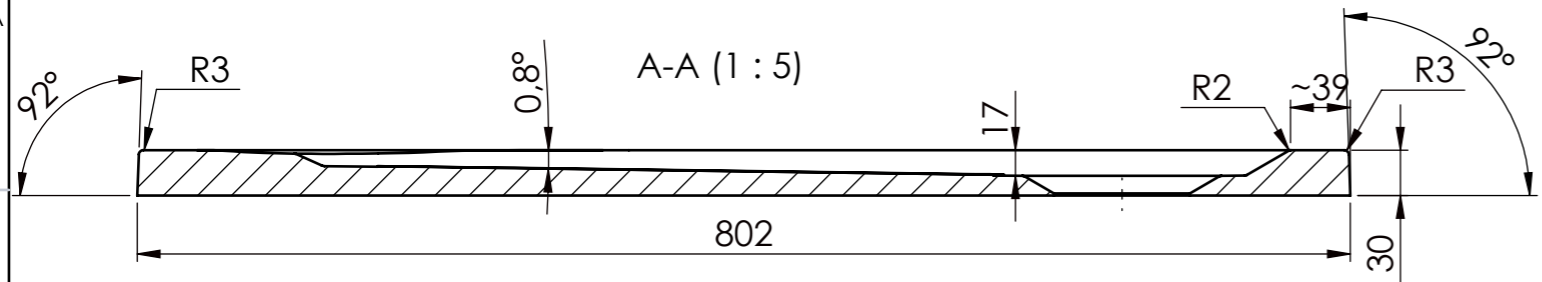


Rev	Design Change Note	Author	Date
001	First issue	KW	2023-01-02



Tolerance length/width	+5/0 mm	Drawn by	Katarzyna W	Created Date	2016-05-05	Checked by	Rafal B	Art. Name:	VANGUARD 25 900x800			
Tolerance height	+2/-2 mm	Project status	Approved	EASTBROOK		Art. No.:	6040690930xx	Mould No.:	FA065093			
Tolerance plane bending	<1200 mm +2/-2 mm ≥1200 mm +3/-3 mm							Customer ID:	3119			
Tolerance thickness	+2/-2 mm	Material volume [mm³]	15518074.5	Overflow	NO	Tap hole	0	Main dimensions L x W / H [mm]	902 x 802 / 30		Drain	Regular
Tolerance feet location	+7/-7 mm	Surface area [mm²]	1538781.1	Sheet Size	A3	Scale	1:10	Current revision		001		
Tolerance holes location	+2/-2 mm											
Tolerance holes diameter	+1/-1 mm											