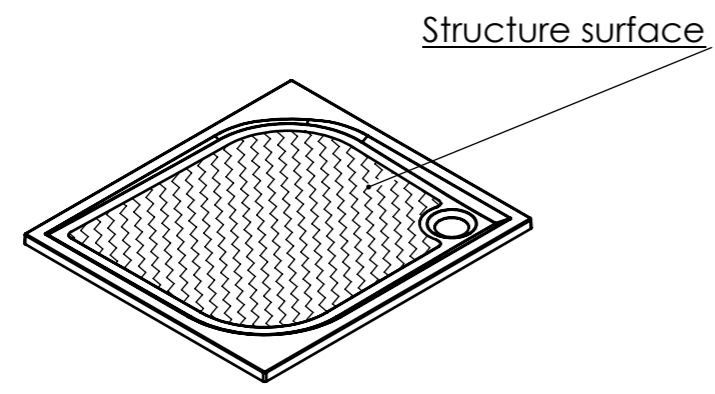
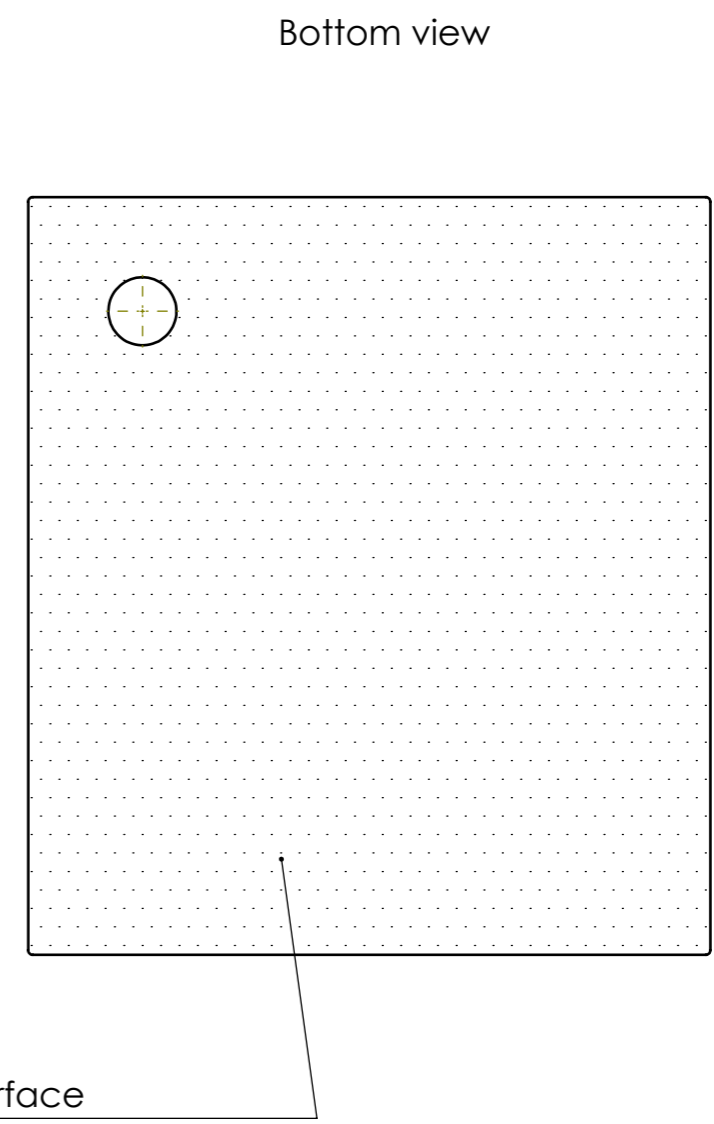
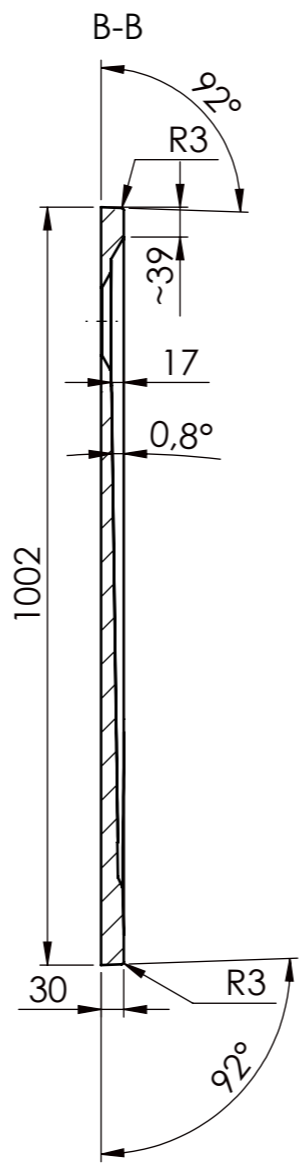
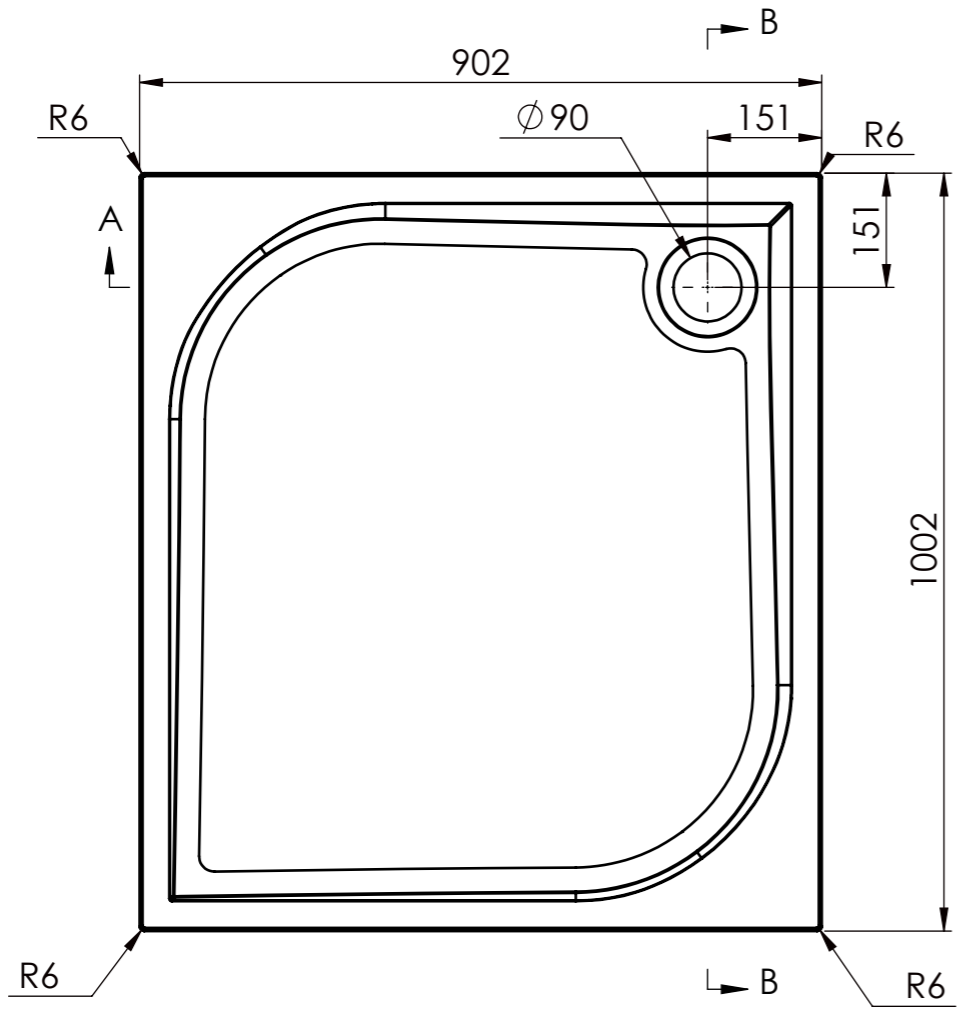
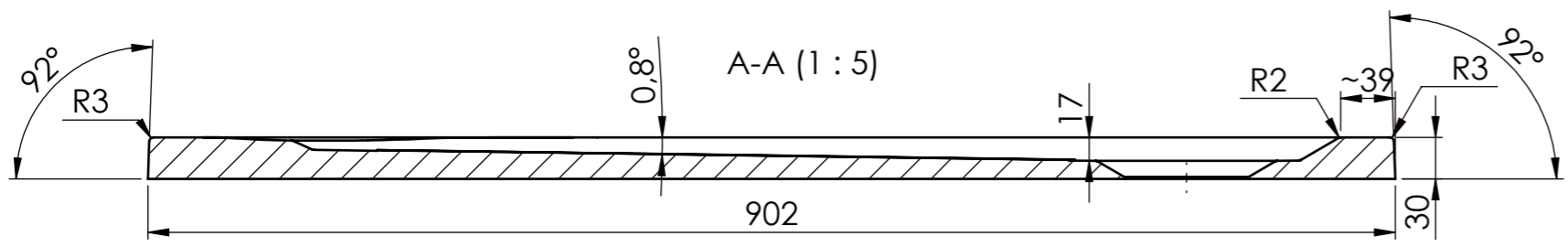


Rev	Design Change Note	Author	Date
001	First issue	KW	2023-06-22



Tolerance length/width	+5/0 mm	Drawn by	Katarzyna W	Created Date	2016-05-05	Checked by	Rafal B	Art. Name:	VANGUARD 25 1000x900		
Tolerance height	+2/-2 mm	Project status	Approved	EASTBROOK		Art. No.:	6040751030xx	Mould No.:	FA065103		
Tolerance plane bending	≤ 1200 mm: +2/-2 mm ≥ 1200 mm: +3/-3 mm	Material volume [mm ³]	19828476.3	Overflow	NO	Tap hole	0	Main dimensions L x W / H [mm]	1002 x 902 / 30		
Tolerance thickness	+2/-2 mm	Surface area [mm ²]	1912546.4	Sheet Size	A3	Scale	1:10	Drain	Regular		
Tolerance feet location	+7/-7 mm	Current revision		001							
Tolerance holes location	+2/-2 mm										
Tolerance holes diameter	+1/-1 mm										