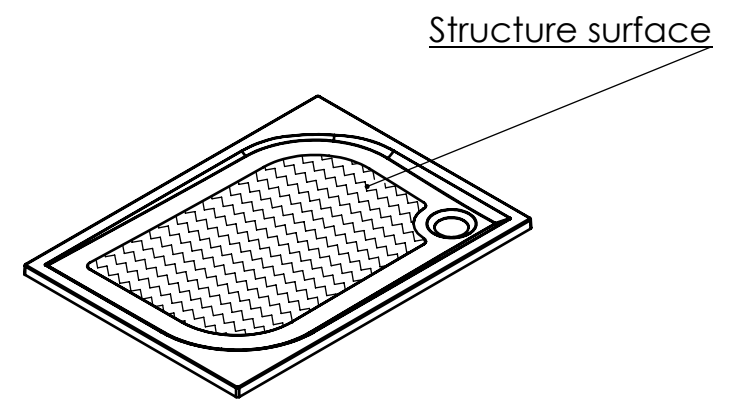
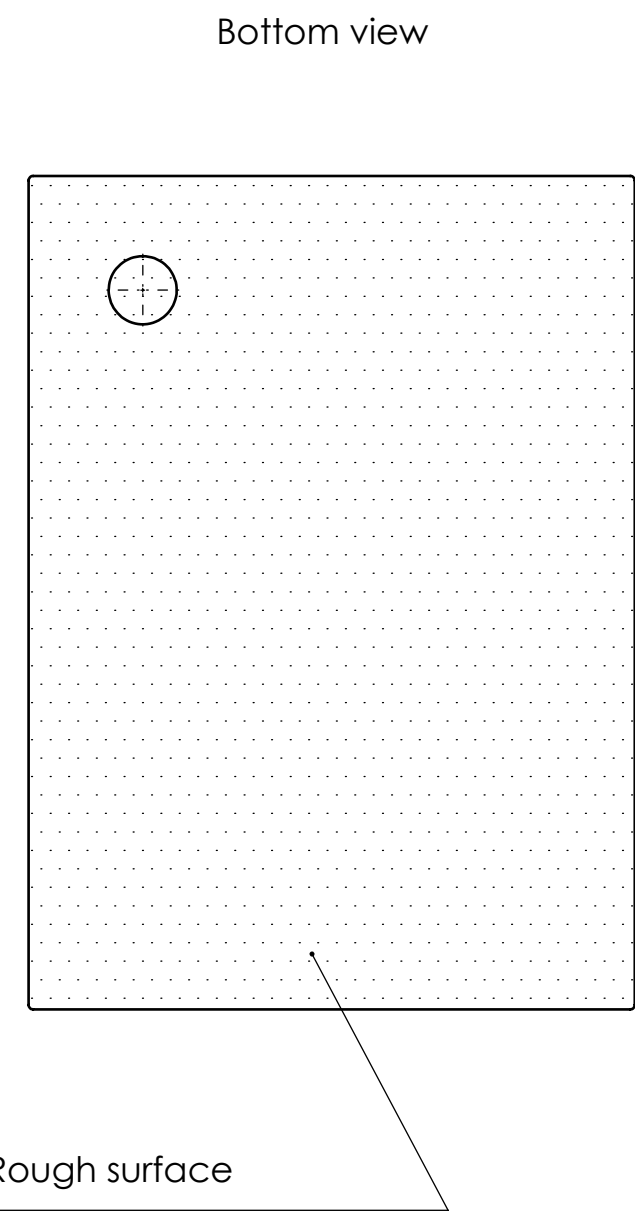
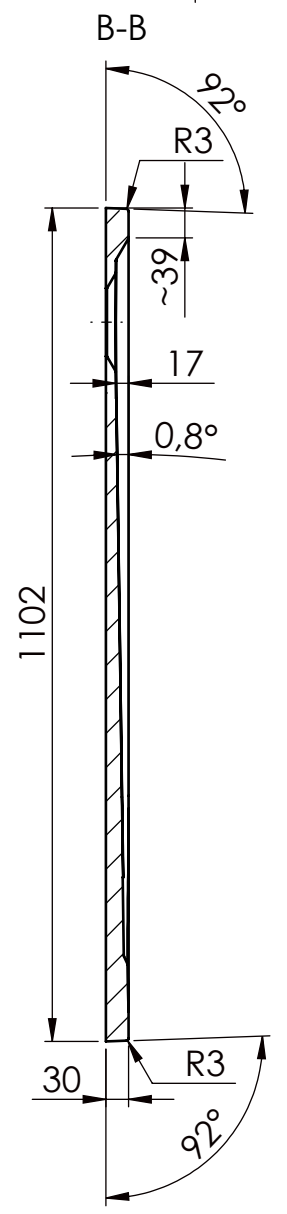
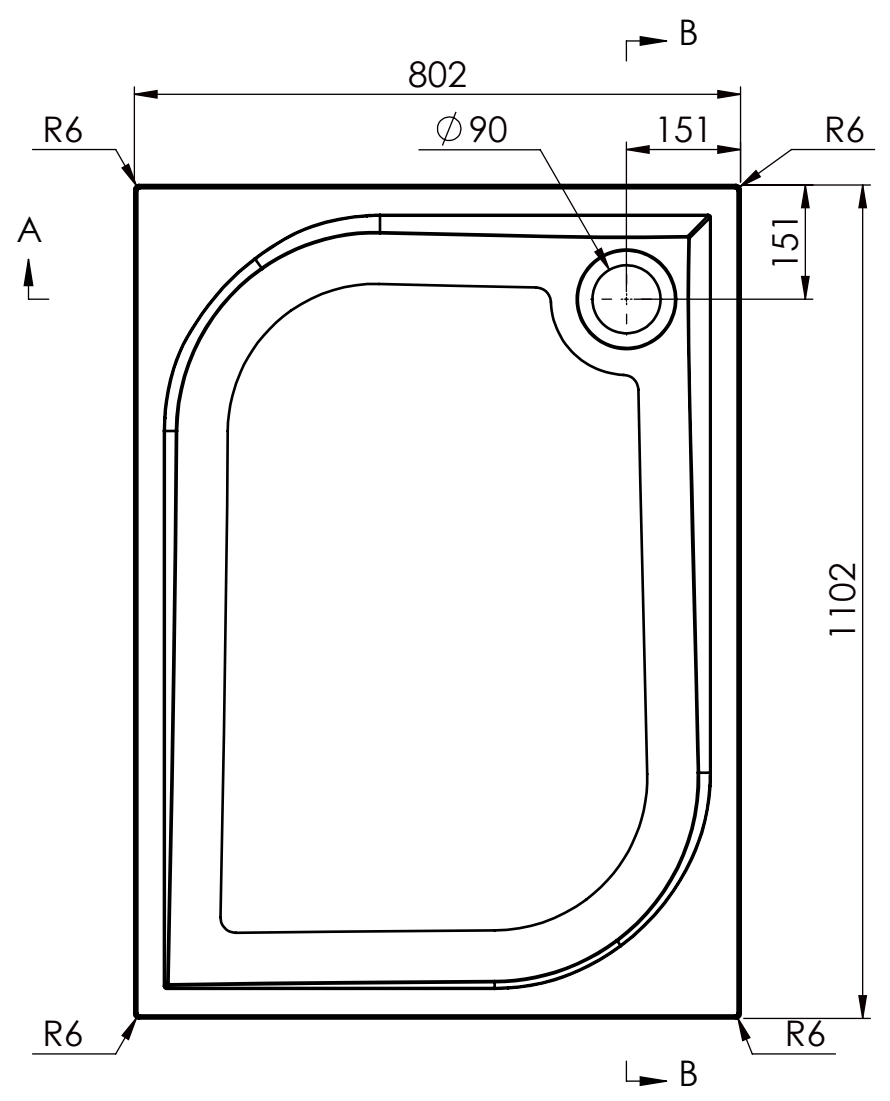
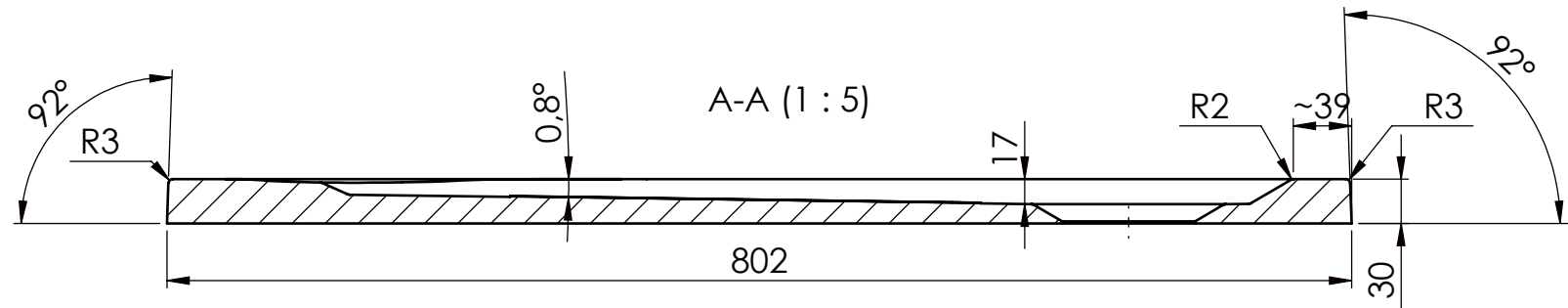


Rev	Design Change Note	Author	Date
001	First issue	KW	2023-01-08



Tolerance length/width	+5/0 mm	Drawn by	Created Date	Checked by	Art. Name: ST VANGUARD 25 1100x800
Tolerance height	+2/-2 mm	Katarzyna W	2016-05-05	Rafal B	Art. No: 6040691130xx
Tolerance plane bending	<1200 mm +2/-2 mm ≥1200 mm +3/-3 mm	Project status	Approved EASTBROOK		Mould No: FA065113
Tolerance thickness	+2/-2 mm	Material volume [mm³]	Overflow	Taphole	Main dimensions L x W / H [mm]
Tolerance feet location	+7/-7 mm	19447065.8	NO	0	1102 x 802 / 30
Tolerance holes location	+2/-2 mm	Surface area [mm²]	Sheet Size	Scale	Drain
Tolerance holes diameter	+1/-1 mm	1872378.6	A3	1:10	Regular
					Current revision
					001