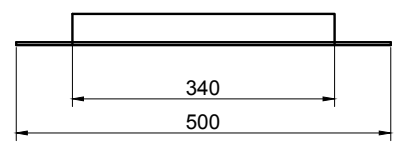
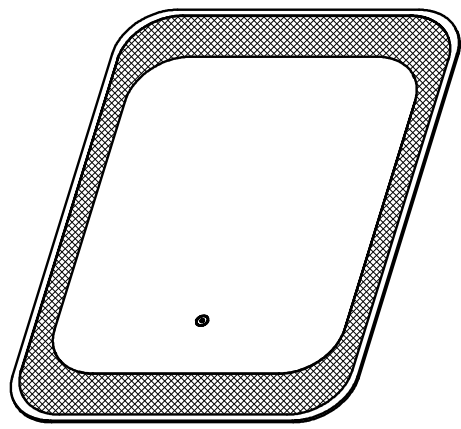
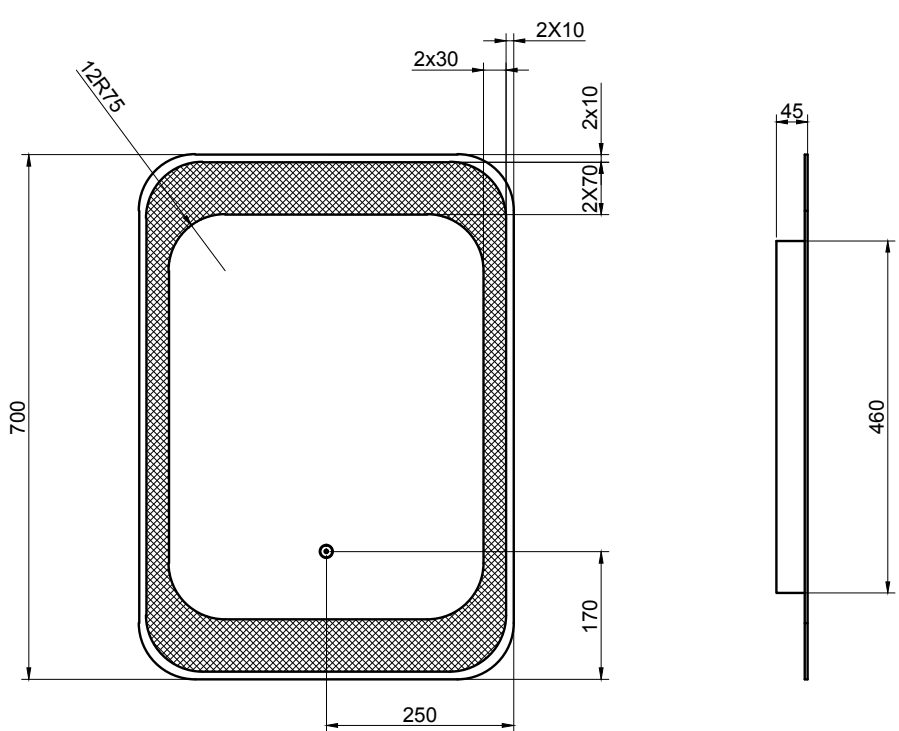


A		B					C		D	
▶ Critical Dimension	Perspective drawing	Tolerance grade not noted	Basic size	0 < a ≤ 6	6 < a ≤ 30	30 < a ≤ 120	120 < a	Note the Angle tolerance		
▶ Most important dimensions			Tol Value	±0.1	±0.3	±0.5	±1	±1°		



- Technical requirements:
- 1、 Size: 500 * 700 * 45mm .
 - 2、 4MM copper free silver mirror.
 - 3、 Sensor touch control .
 - 4、 LED 2835 lighting temperature of 6400k+/-300 white.
 - 5、 Watt: 25W, Lumen specification: 1840 lumen.
 - 6、 Input: 220~240V, output: DC12V.

					Theoretical weight[g]	Client Version			Trade name			Material		
					Theoretical volume[cm ³]	Version NO.			Drawing NO.	40.1002		Page 1/A total of 1 page		
					Theoretical area[cm ²]	Drawing Units	mm			Design				
					Superficial area[cm ²]	Proportion			Proofread					
Version	Quantity	ECN number	Modifier	Date					Date					