

DATASHEET

Image



General Information

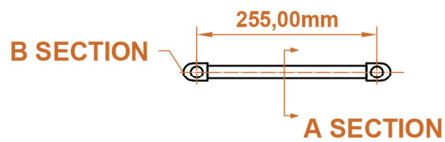
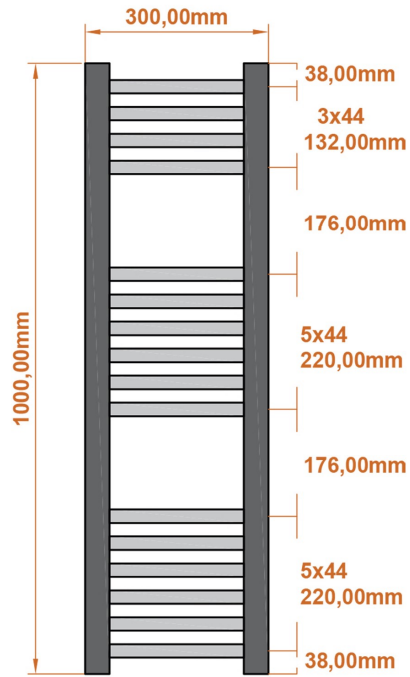
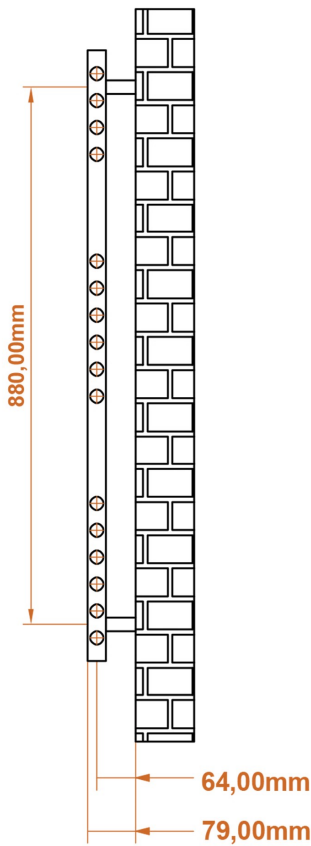
| | |
|------------------|--|
| Product: | 89.1419 |
| Description: | Wingrave 1000 x 300 Straight Multirail |
| Website Link: | (Click Here) |
| Product Type: | Towel Rail |
| Brand: | Eastbrook Company |
| Colour: | Matt Grey |
| Material: | Mild Steel |
| Height (mm): | 1000mm |
| Width (mm): | 300mm |
| Net Weight (kg): | 4.01kg |
| Product Range: | Wingrave |

Product Specifications

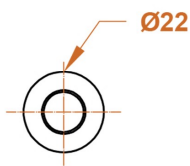
| | |
|--------------------------------------|-----------|
| Warranty: | 5 Year(s) |
| Supplied with fixings: | Yes |
| Watts $\Delta T50^{\circ}\text{C}$: | 264 |
| Valve Types: | |

Drawing

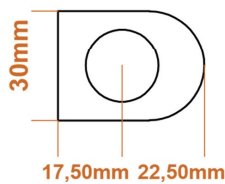
Wingrave Straight Towel Rail 1000 x 300mm. Technical Drawing



A SECTION



B SECTION



Eastbrook 
Eastbrook Road, Gloucester GL4 3DB
Technical Helpline : 01452 317890
Mon - Fri / 8am - 5pm
Email : technical@eastbrookco.com