

1600 -1.2%

900 -1.2%

A

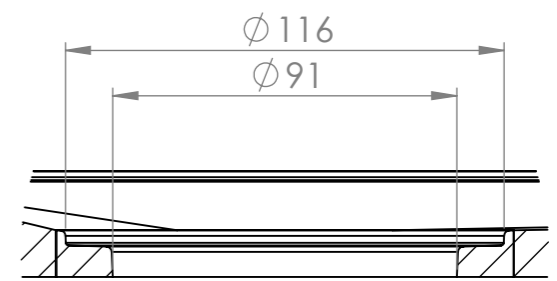
B

165

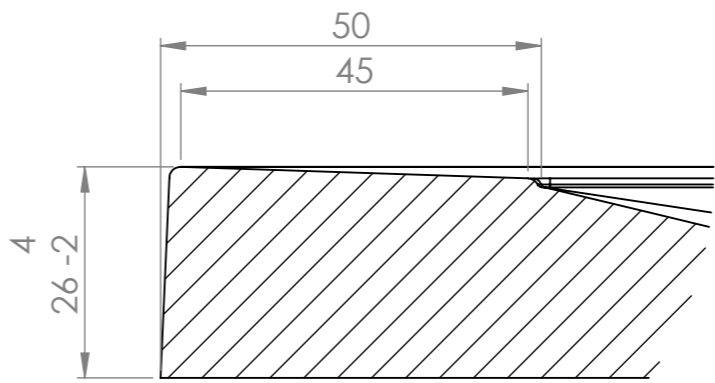
800

SECTION B-B

SECTION A-A



DETAIL C
SCALE 1:2



DETAIL D
SCALE 1:1