

0
1700 -1.2%

A

E

F

165

B

B

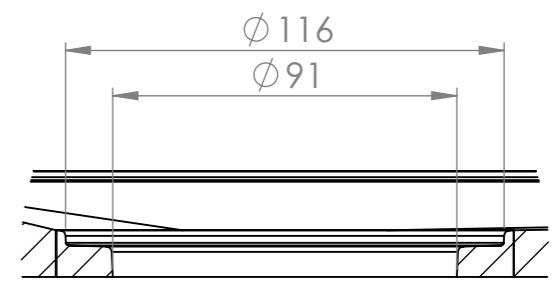
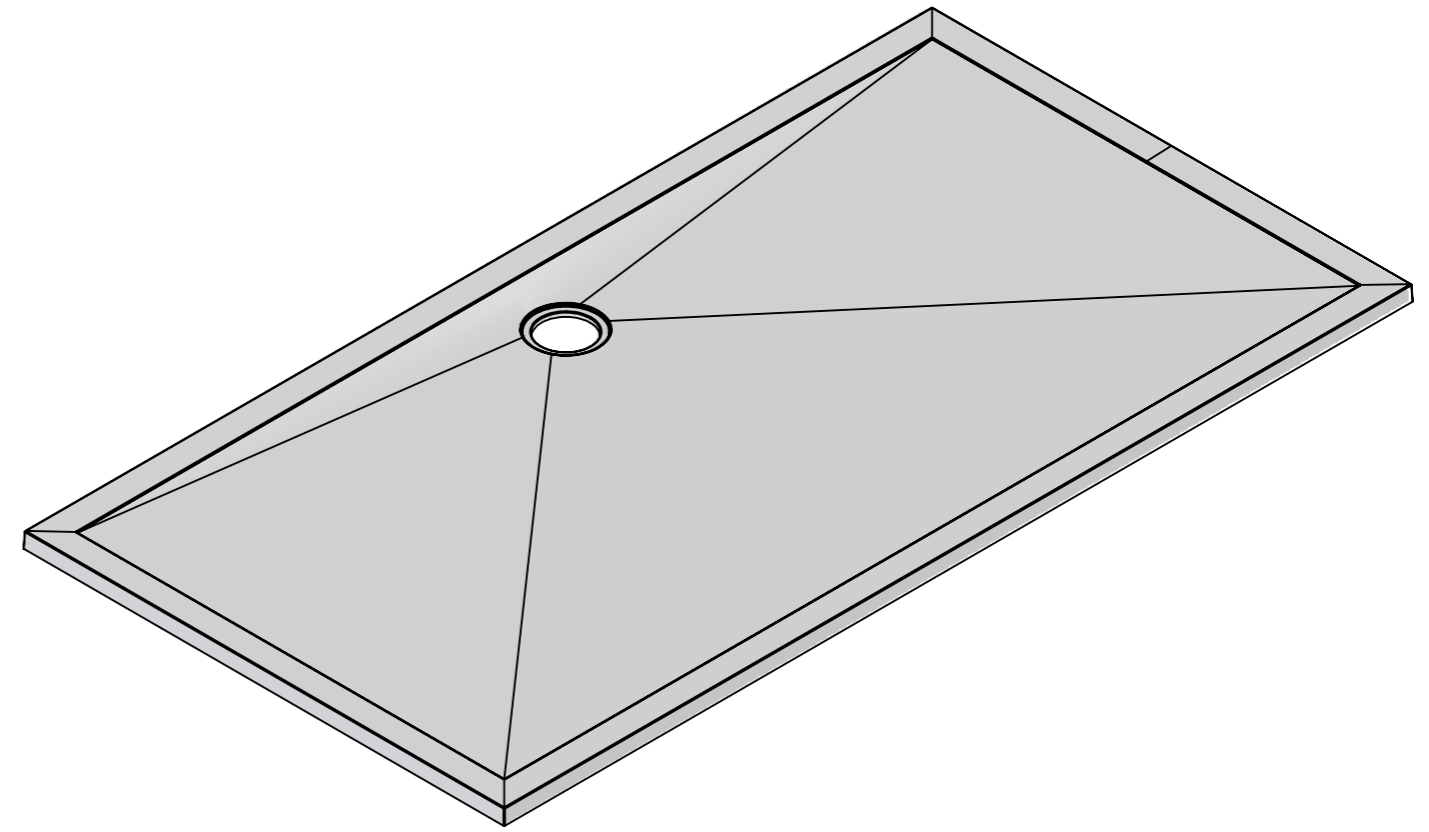
0
900 -1.2%

D C

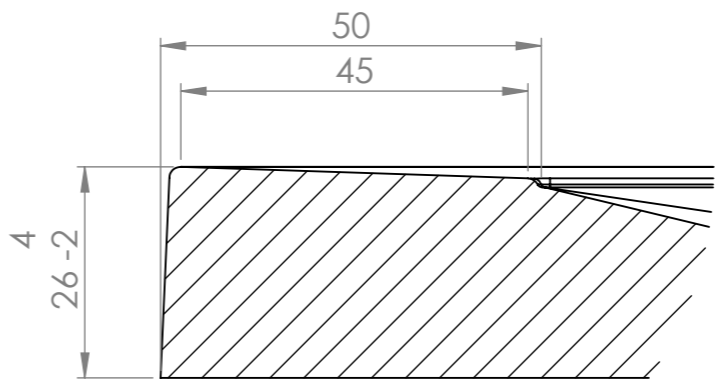
SECTION A-A

SECTION B-B

Eastbrook



DETAIL C
SCALE 1:2



DETAIL D
SCALE 1:1

Corsair 1700 x 900 Rectangle 28mm Shower Tray