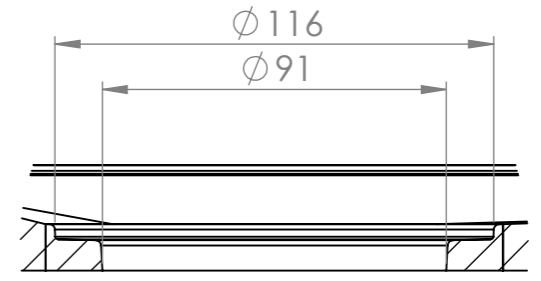
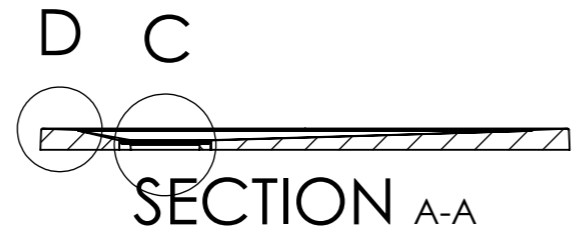
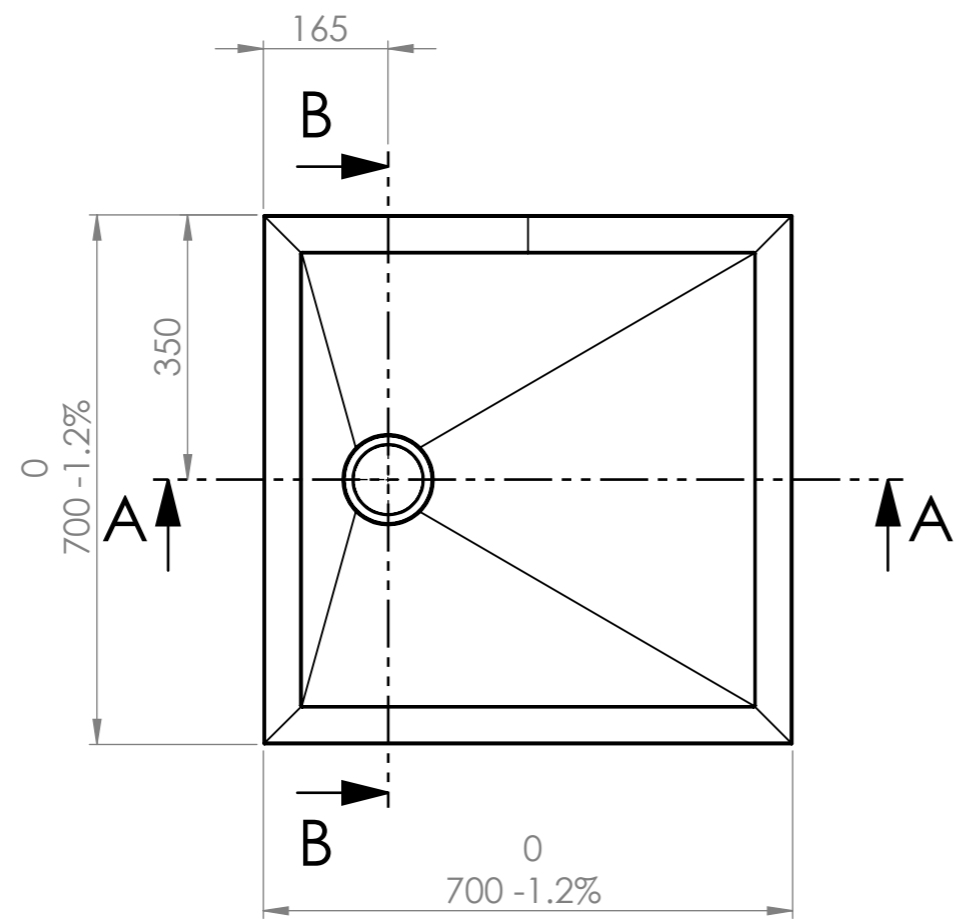
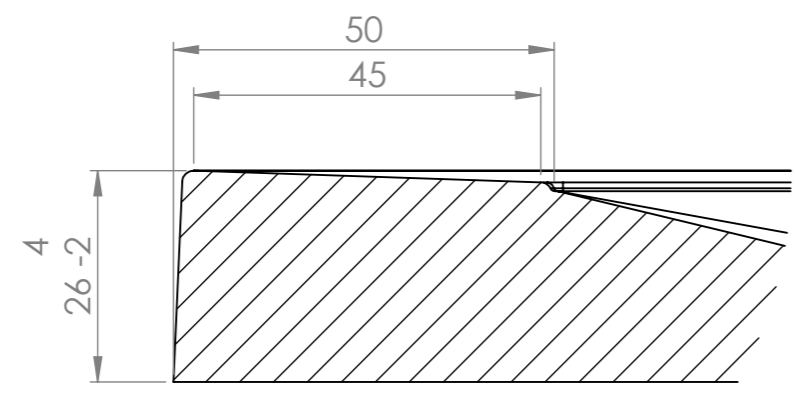


SECTION B-B



DETAIL C  
SCALE 1 : 2



DETAIL D  
SCALE 1 : 1