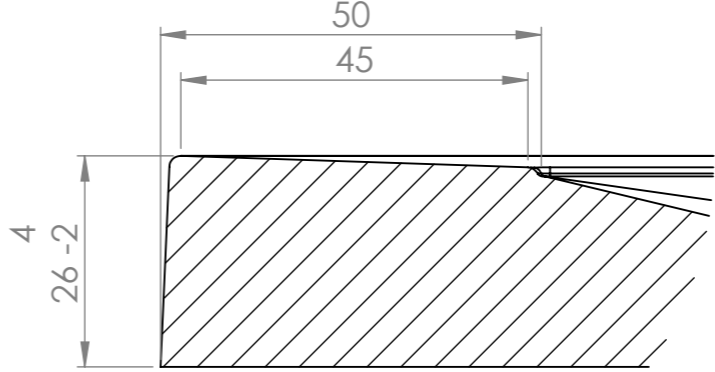
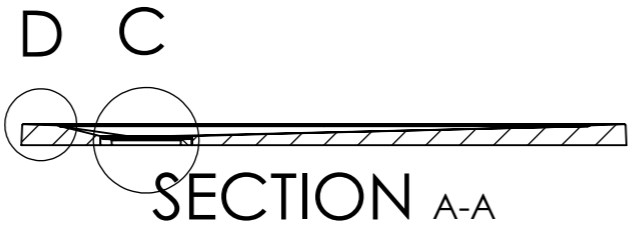


DETAIL C
 SCALE 1 : 2



DETAIL D
 SCALE 1 : 1



SECTION B-B