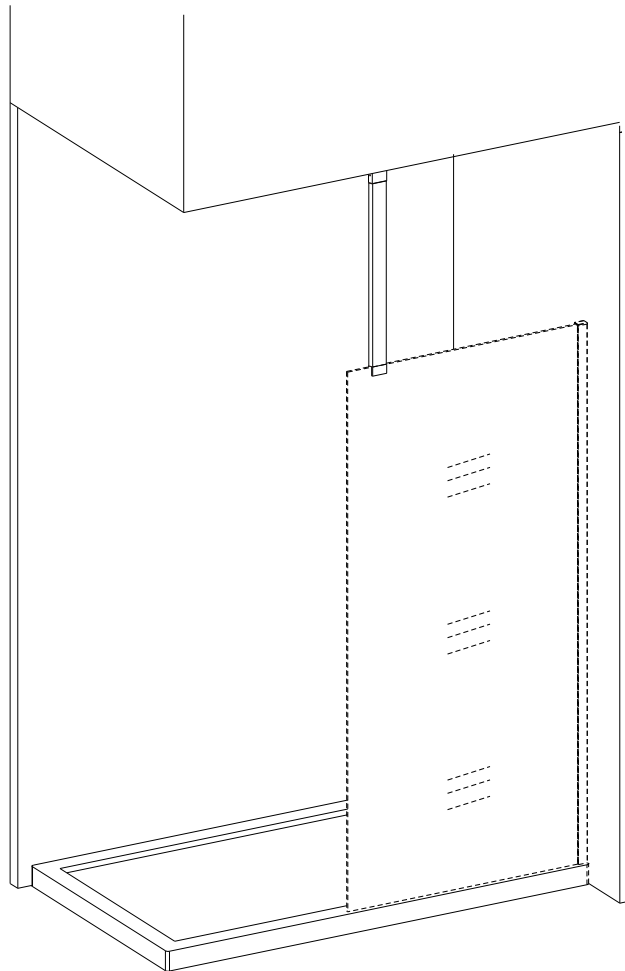


INSTALLATION MANUAL

Volente/Valliant Ceiling Support Arm

Eastbrook Code	Adjustment
58.816	605

This product should only be fitted by a fully qualified installer.



This product must be unpacked and checked for quality prior to installation.

Any missing parts or damage must be reported to your supplier within 10 days of purchase and before install.

No claims can be enforced outside of these terms.

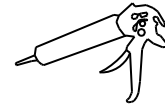
TOOLS REQUIRED



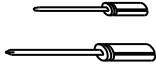
pencil



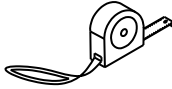
($\varnothing 6, \varnothing 3, 2$) Drill Bit



Silicone gun



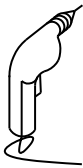
Flat and cross
screwdriver



Tape measure



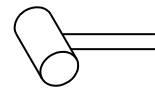
Spirit level



Electric Drill

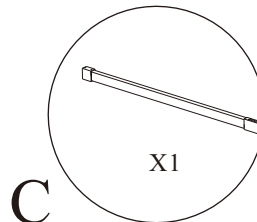
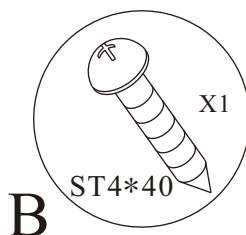
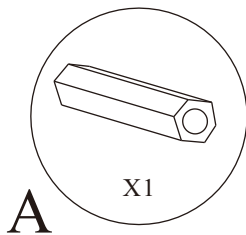


Spanner



Rubber hammer

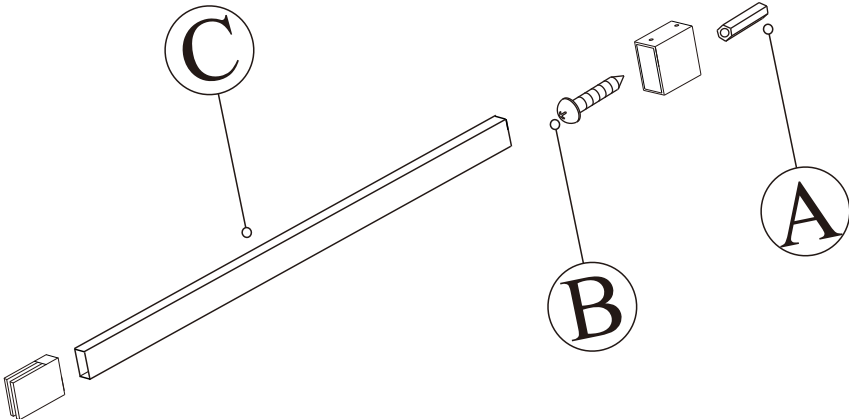
LIST OF SPARE PARTS



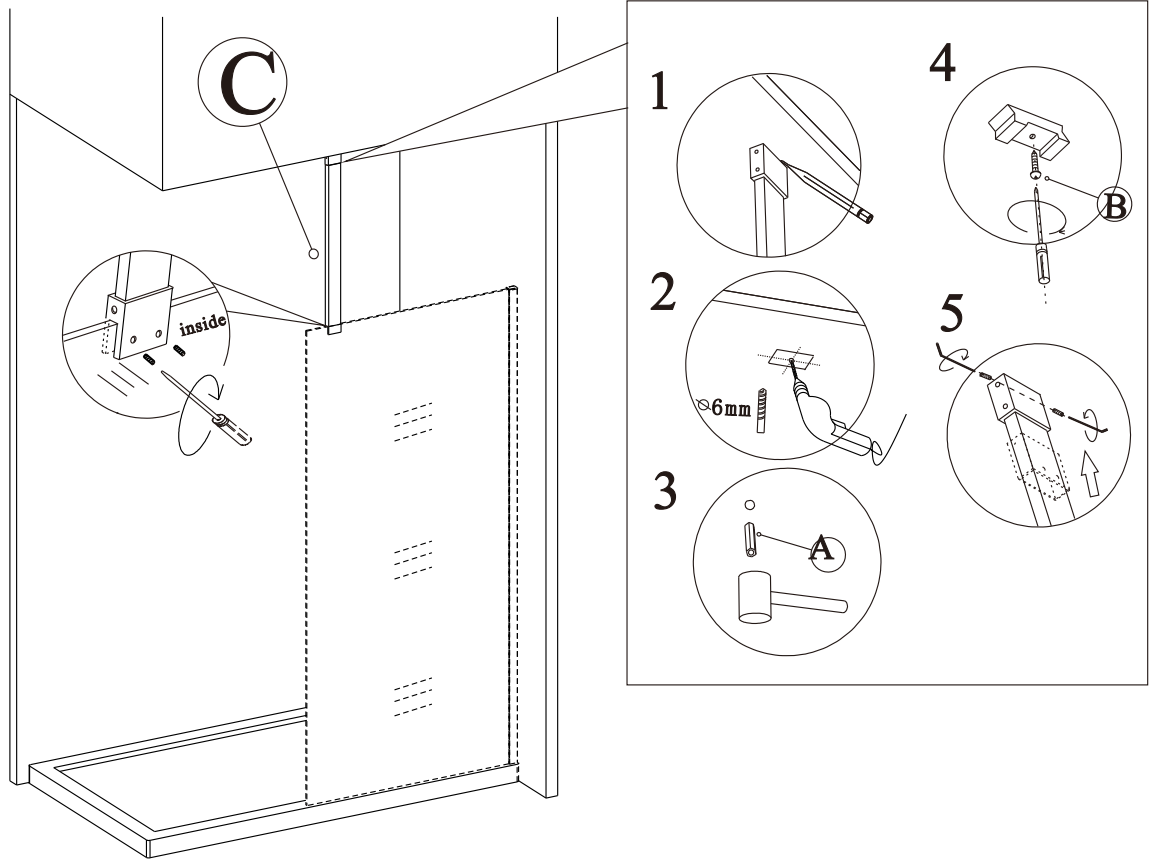
Please make the following checks before connecting the installation:

- The product supplied is the required size and the adjustment is compatible with the site situation.
- Check all component parts are present, see packing list and product schematic diagram for reference.
- Make sure you have all the required tools.

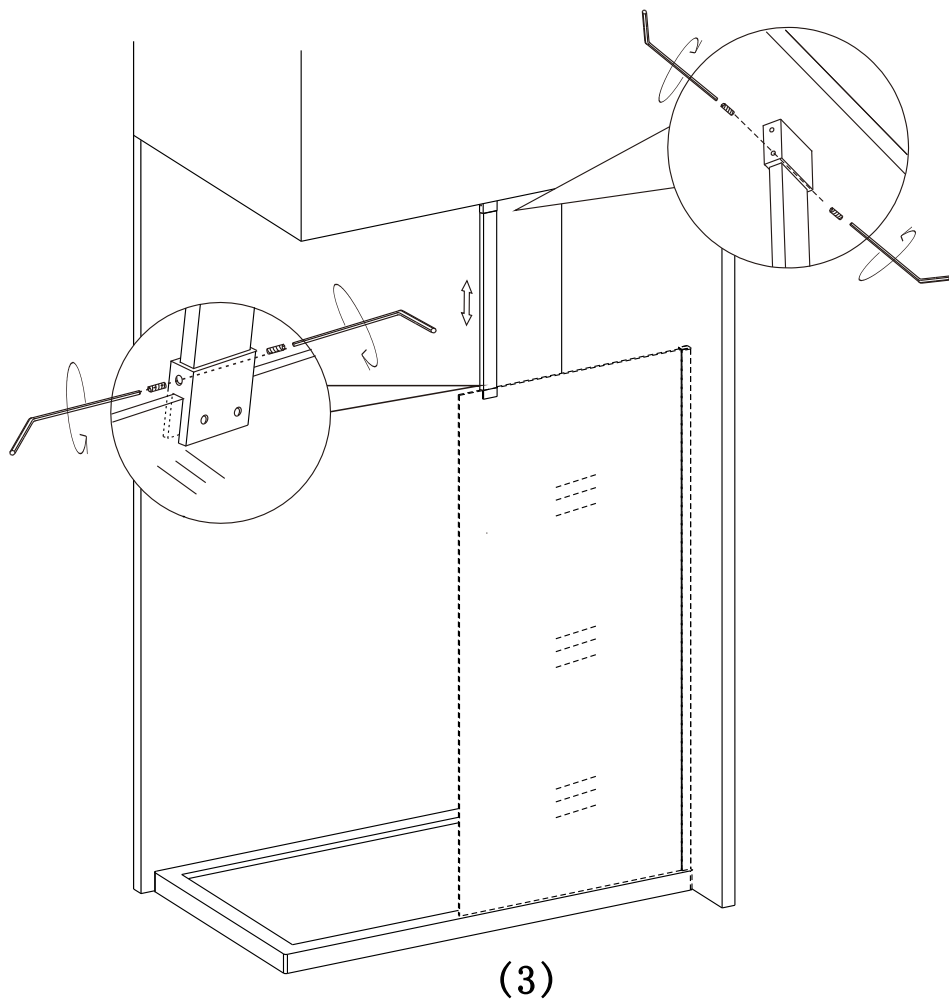
PRODUCT SCHEMATIC DIAGRAM



1



2



Eastbrook

Eastbrook Road, Gloucester GL4 3DB
Technical Helpline: 01452 317890
email: technical@eastbrookco.com

Cleaning and Maintenance of Shower Enclosures

Do not clean the shower enclosure with irritant detergents such as alcohol, bleach or other chemical cleaners.

Only clean with mild soapy water or a proprietary cleaner where the label advises it is suitable for the materials the enclosure is constructed from, test on a small area first.

For treating limescale we would recommend distilled vinegar in a half and half solution with water.

Following installation should you find that there is a notable noise when the glass door moves you may add a small amount of silicone lubricant onto the roller wheels and tracks, hinges or clips.

It is the responsibility of the product owner to maintain the product as recommended above. Also to check for parts which have broken or become loose to protect against failure of the enclosure.