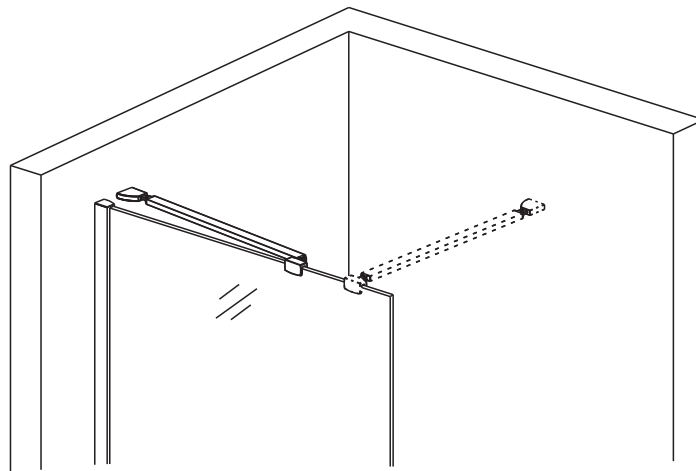


# INSTALLATION MANUAL

## WALL SUPPORT BAR ONLY FOR 6/8MM GLASS

Eastbrook Code	Adjustment
58. 369	900mm



This product should only be fitted by a fully qualified installer. Please make the following checks before connecting the installation:

- The product supplied is the required size and the adjustment is compatible with the site situation.
- Check all component parts are present, see packing list and product schematic diagram for reference.
- Make sure you have all the required tools.

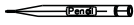
This product must be unpacked and checked for quality prior to installation.

Any missing parts or damage must be reported to your supplier within 10 days of purchase and before installation.

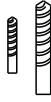
No claims can be enforced outside of these terms.



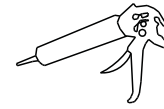
# TOOLS REQUIRED



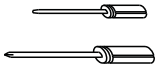
Pencil



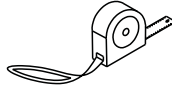
( $\varnothing 6, \varnothing 3, 2$ ) Drill bit



Silicone gun



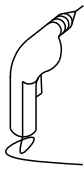
Flat and cross  
screwdriver



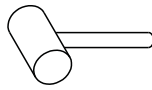
Tape measure



Spirit level

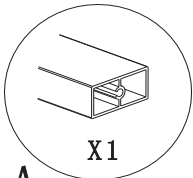


Electric drill



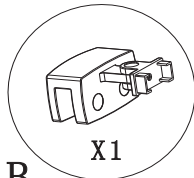
Rubber hammer

# LIST OF SPARE PARTS



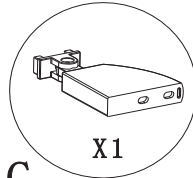
A

X1



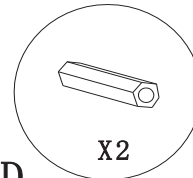
B

X1



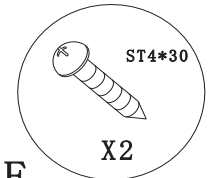
C

X1



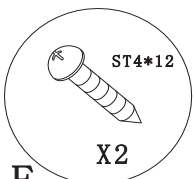
D

X2



E

X2

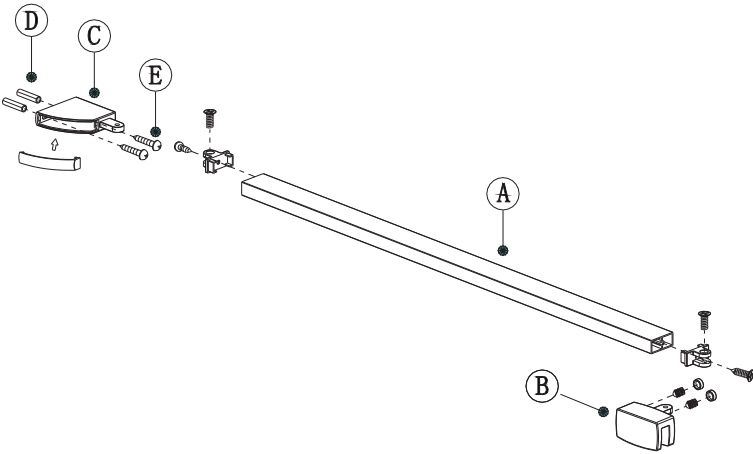


E

X2

This wall support bar can be connected to another wall support bar by fixing bracket **C** to bar **A** with self-tapping screw.

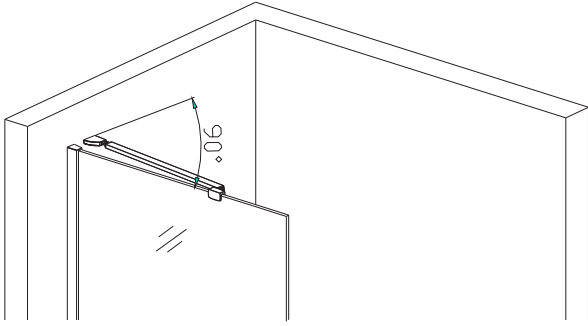
# PRODUCT SCHEMATIC DIAGRAM



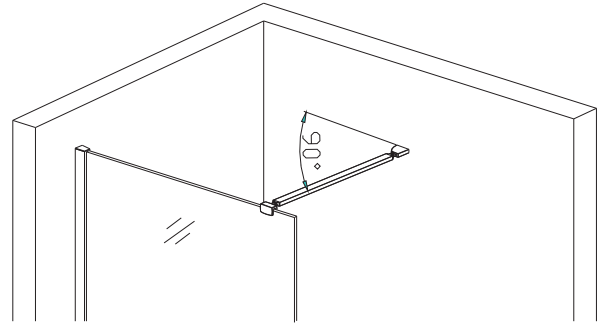
1

Wall support bar can be installed in either position A or B.

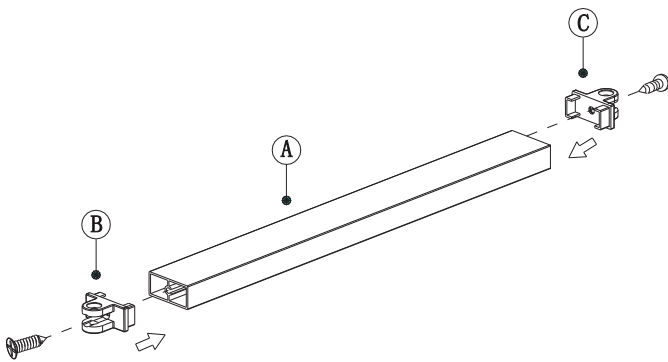
A



B

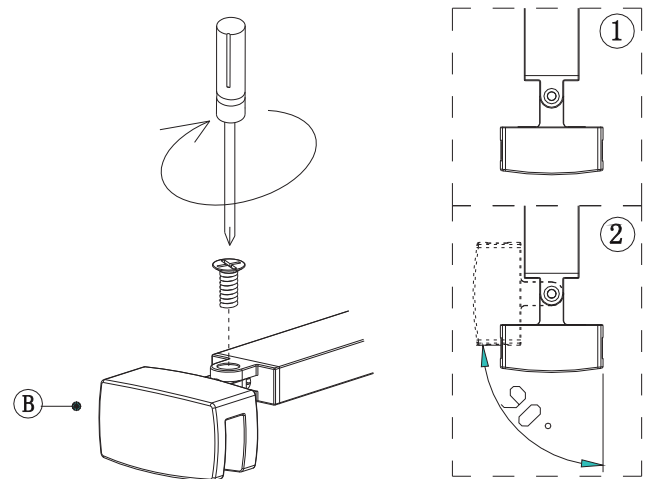


2



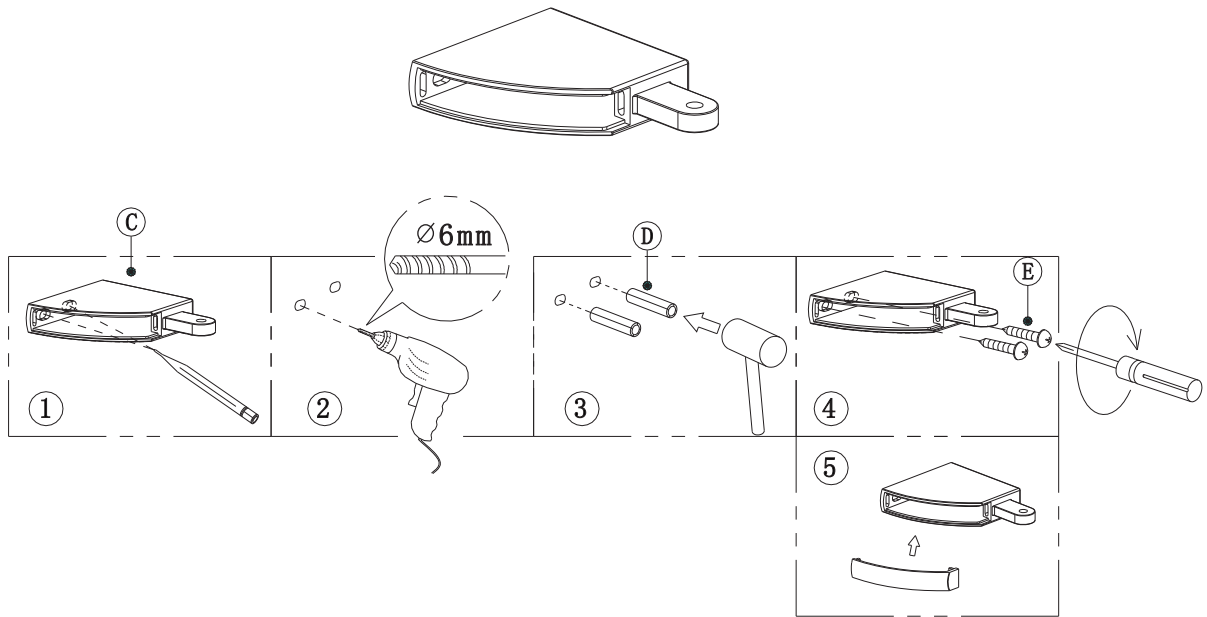
Cut bar (A) to required length with good quality hacksaw.  
Separate brackets (B) and (C) into component parts and attach to bar (A) with screws provided.

3



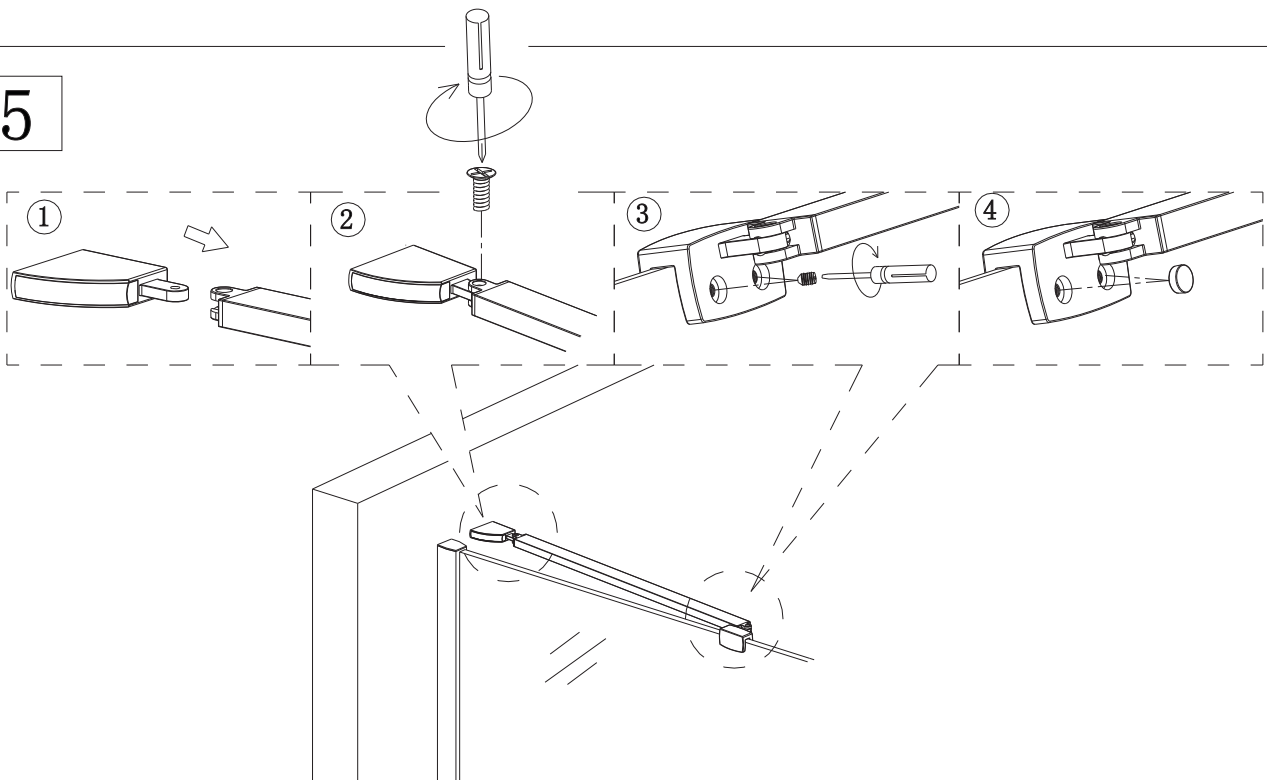
Set clamp (B) in position ① or ② as required and secure in place with the screws supplied.

4



Fix wall bracket **C** in chosen position.

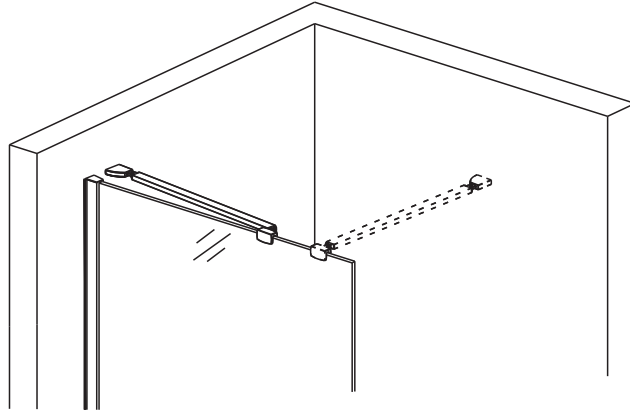
5



Attach bar **A** to glass with bracket **B**.  
 Link bar **A** to wall bracket **C** and secure in place with screws supplied. (see illustration ② and ③)

(4)

6



## **Cleaning & Maintenance**

Don't clean the support bar with irritant detergent such as alcohol, bleach or other chemical cleaners.

Only clean with warm soapy water .

Helpline:01452 317890