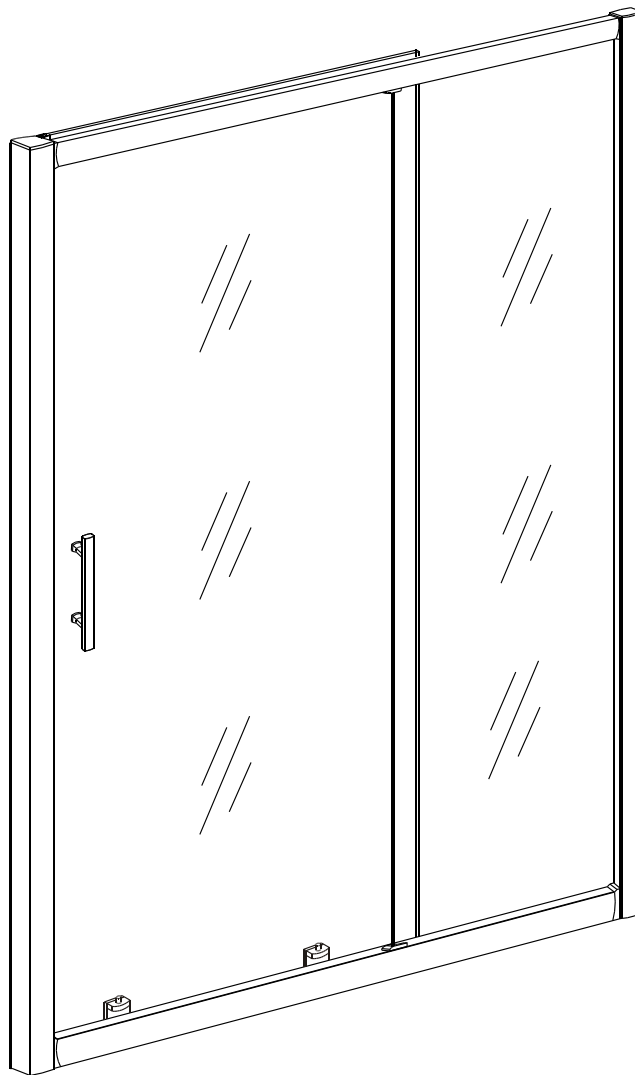
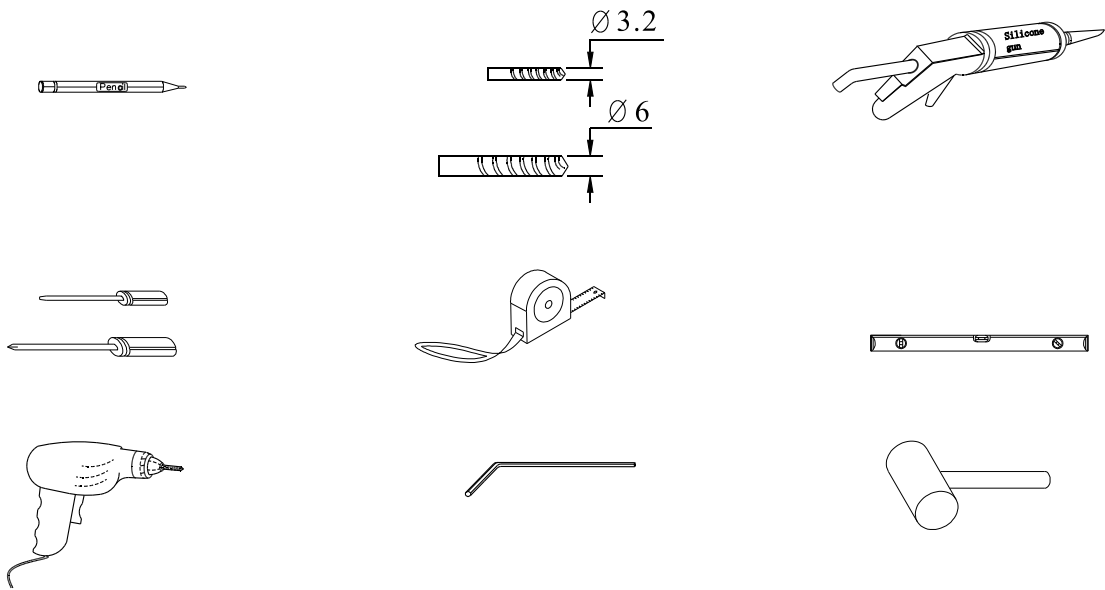


# INSTALLATION MANUAL

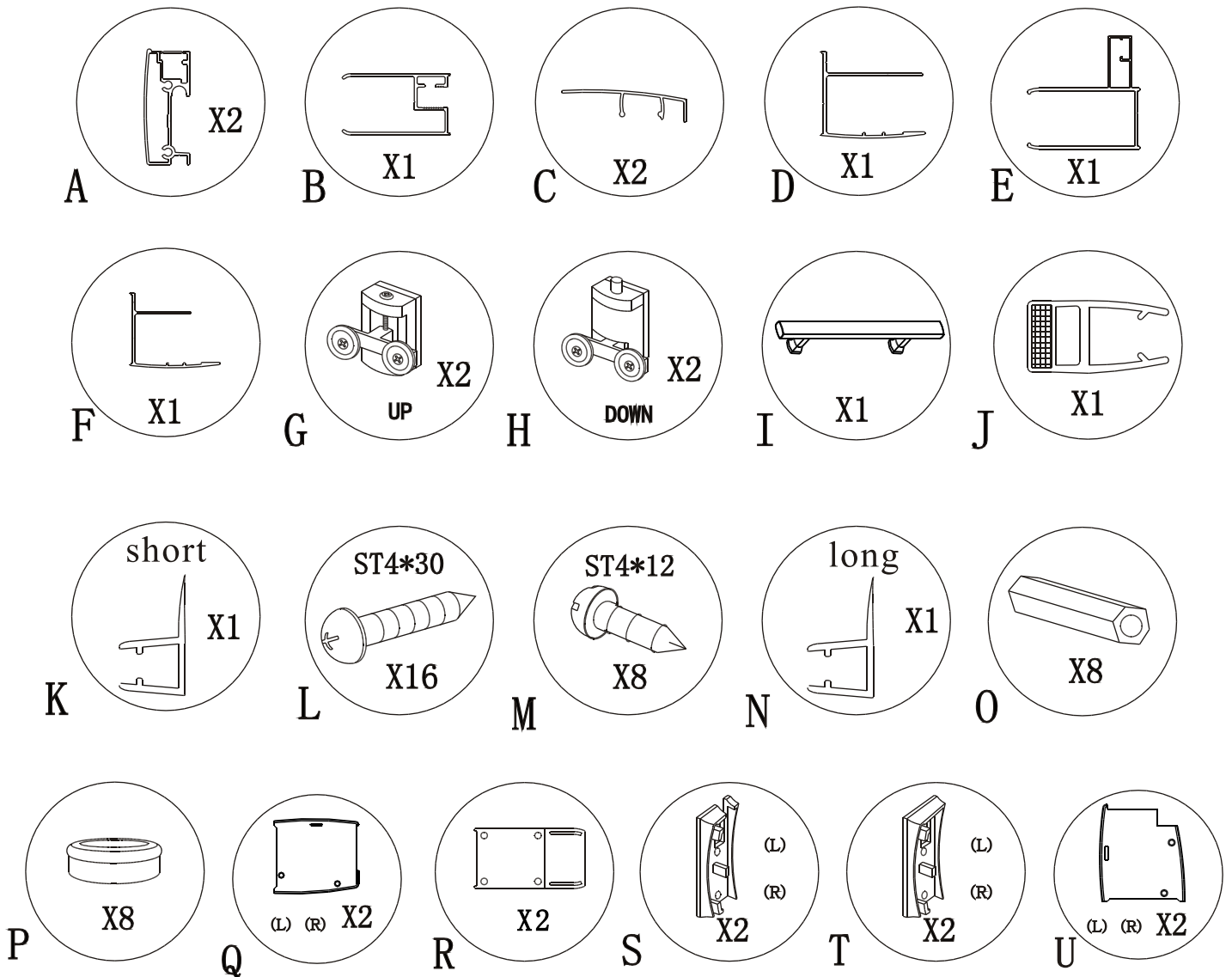
Eastbrook Code	Adjustment	Eastbrook Code	Adjustment
58.204	960-1000	58.201	1460-1500
58.205	1060-1100	58.202	1560-1600
58.206	1160-1200	58.203	1660-1700
58.200	1260-1300	58.208	1760-1800
58.207	1360-1400		



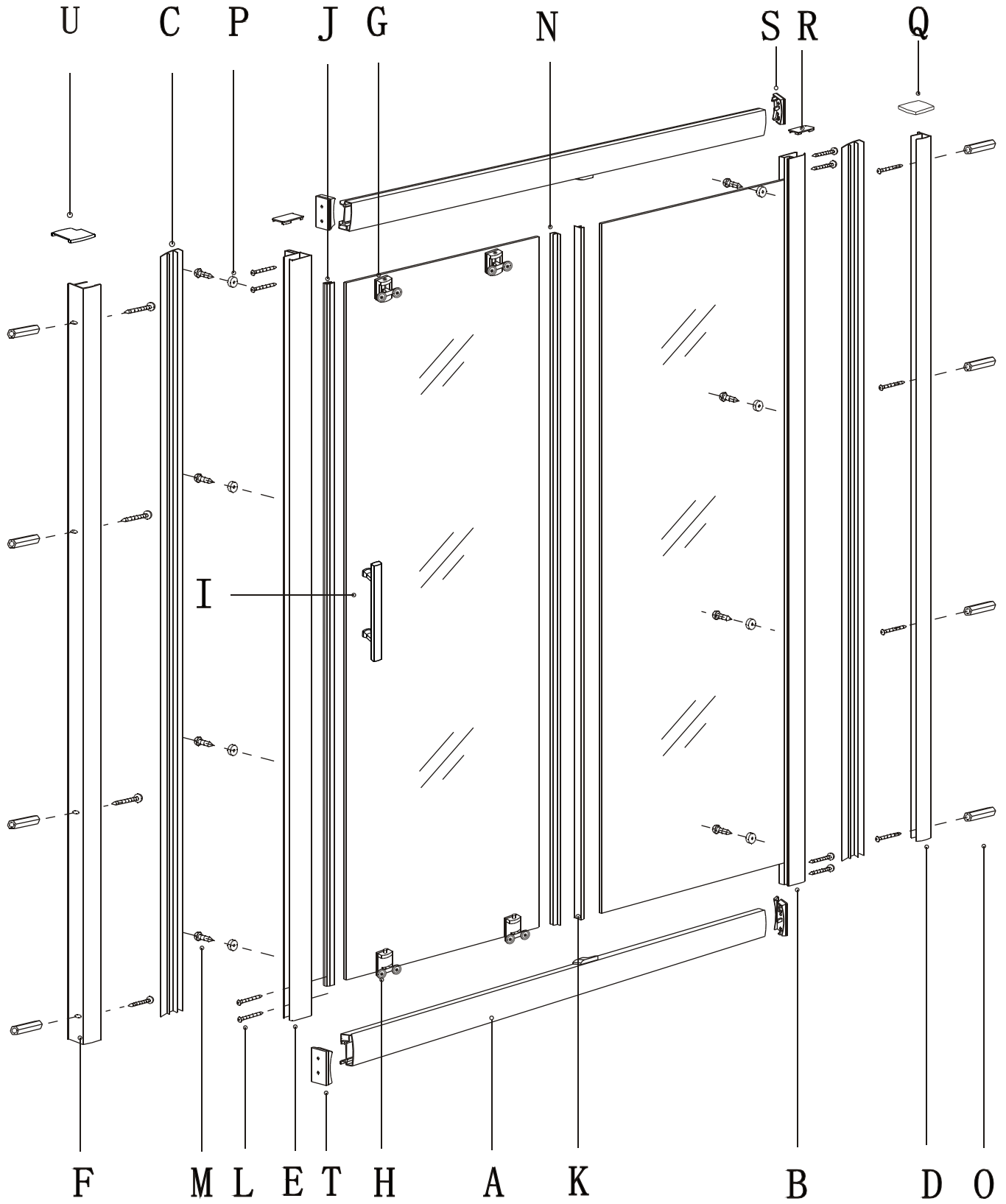
# TOOLS REQUIRED

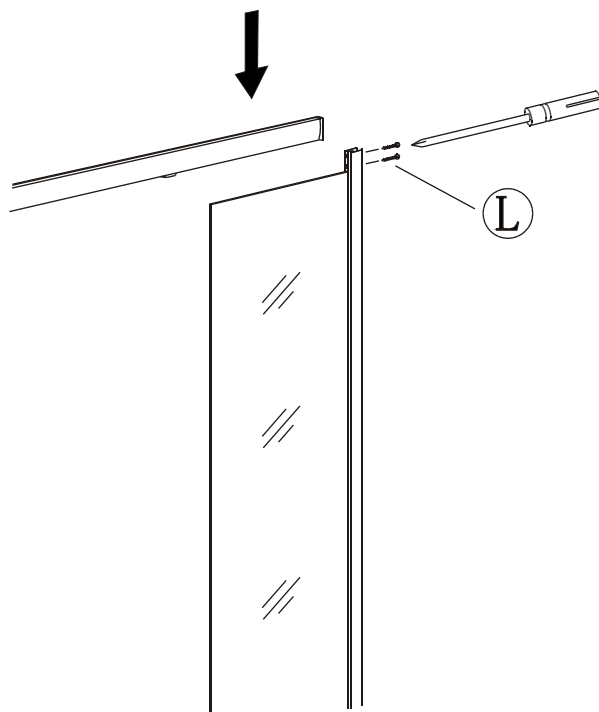
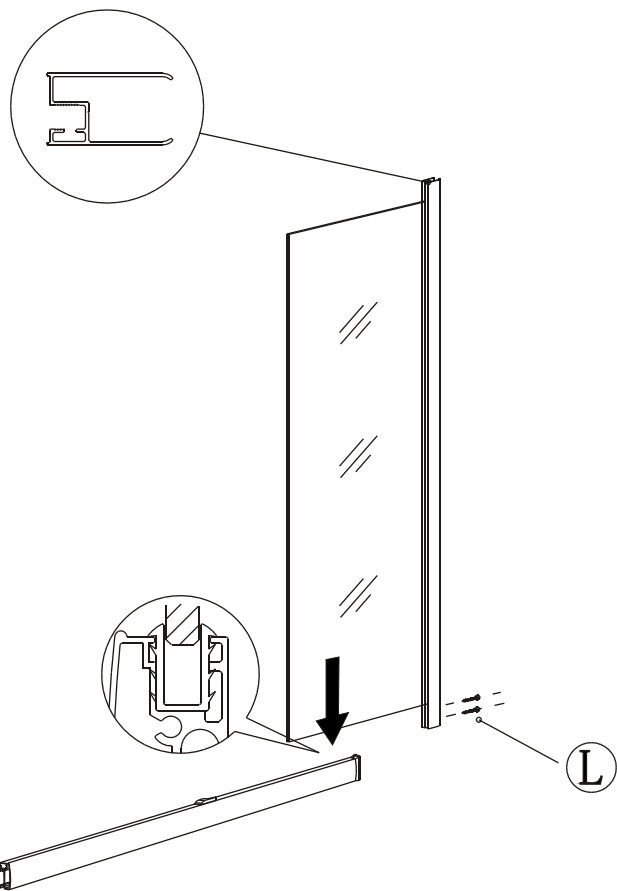
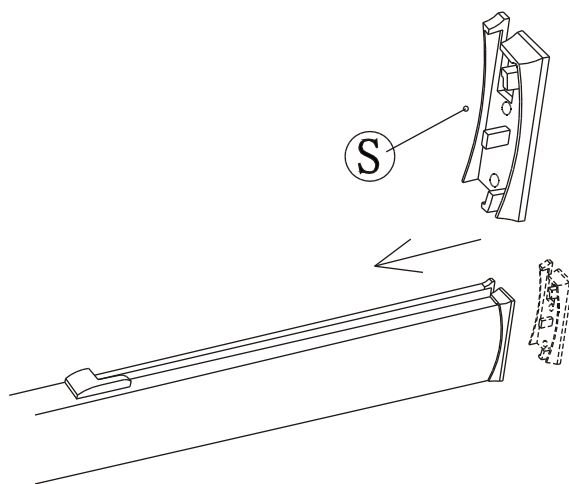
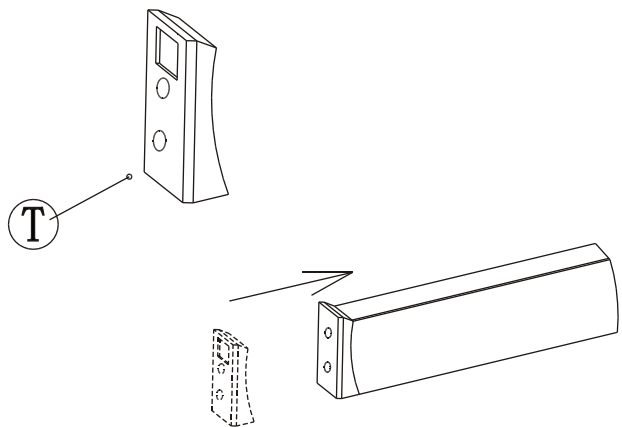


# PACKING LIST

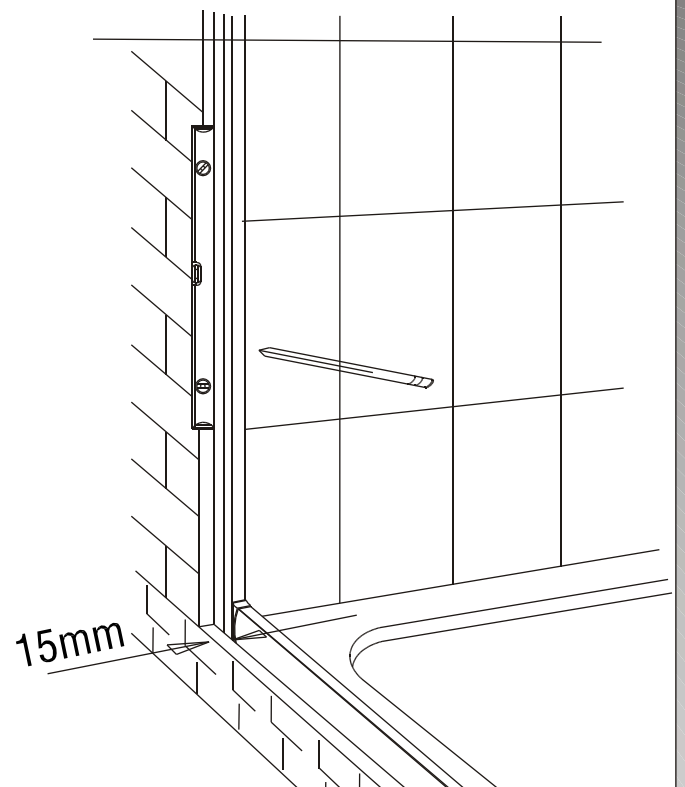
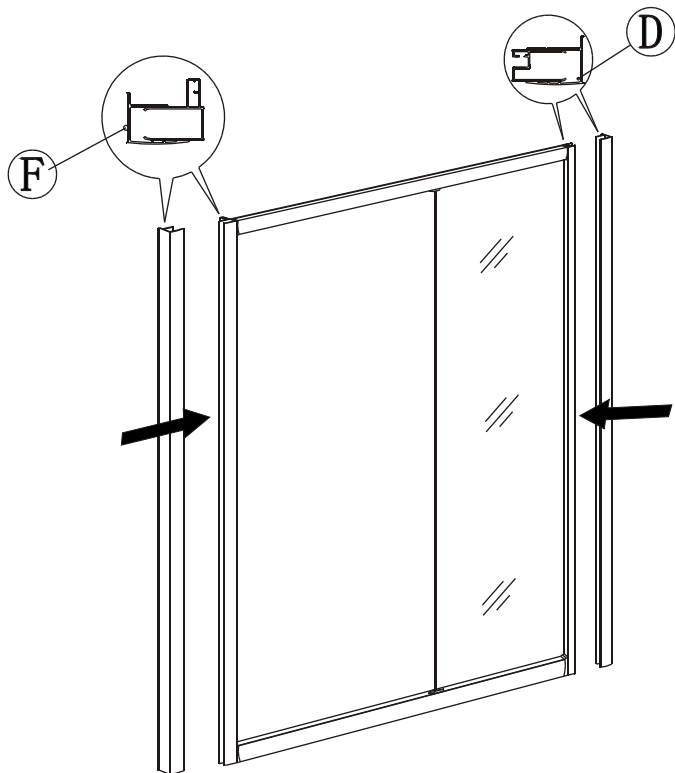
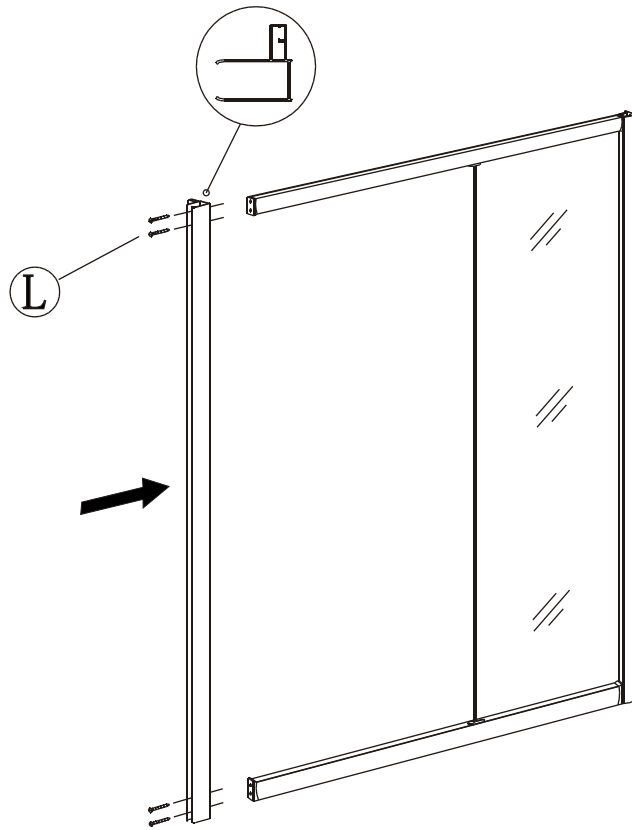


# PRODUCT SCHEMATIC DIAGRAM

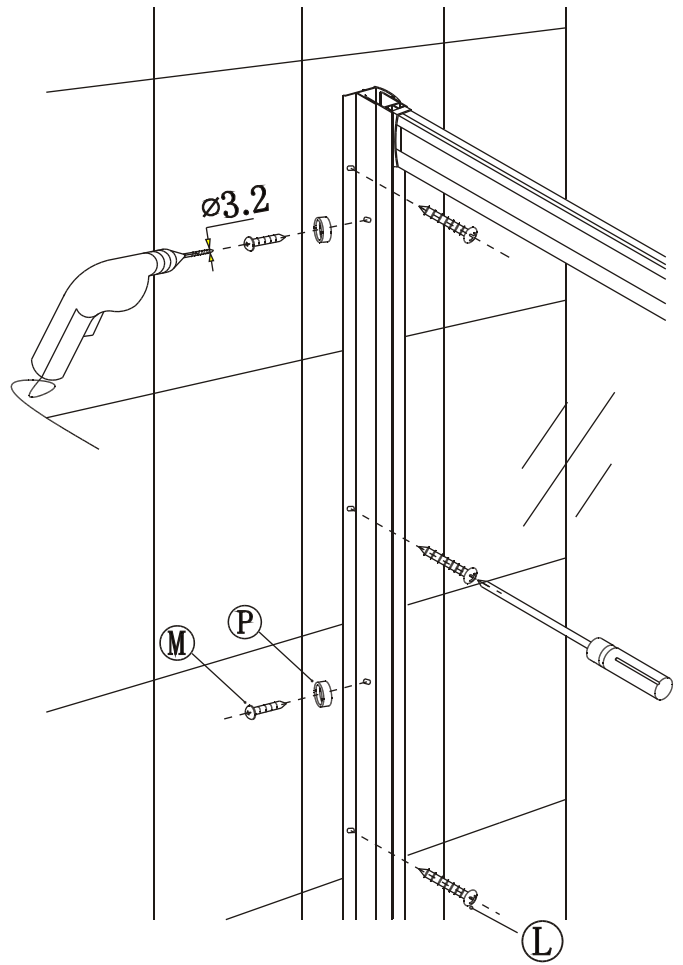
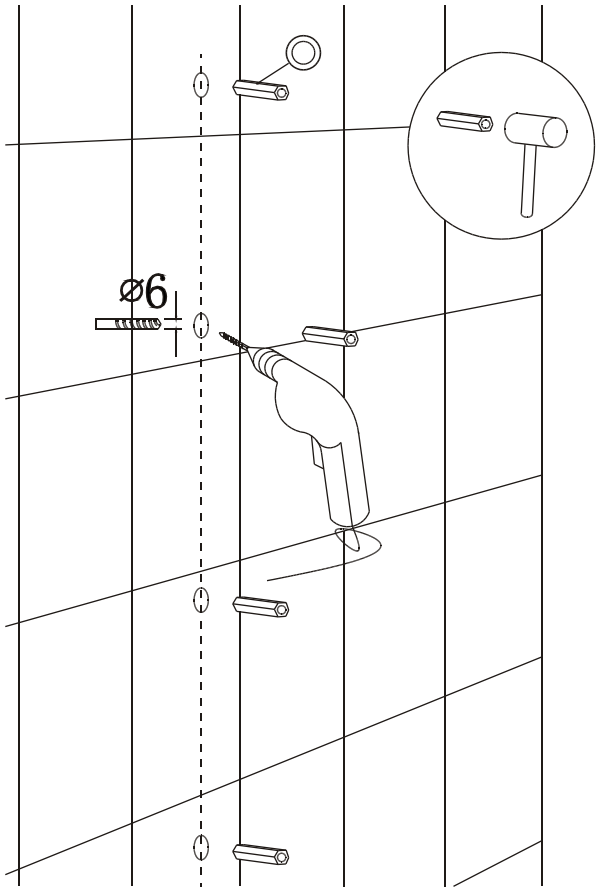




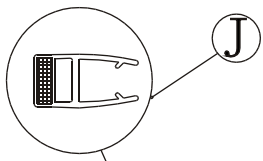
(1)



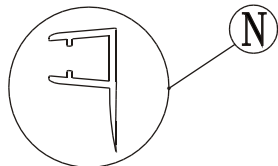
(2)



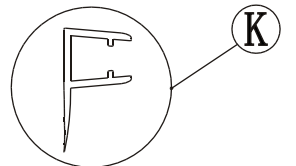
(3)



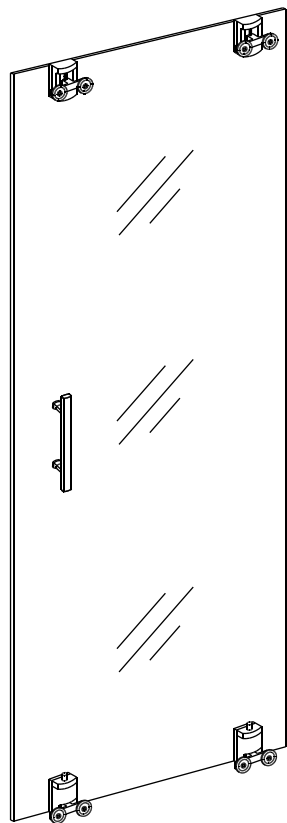
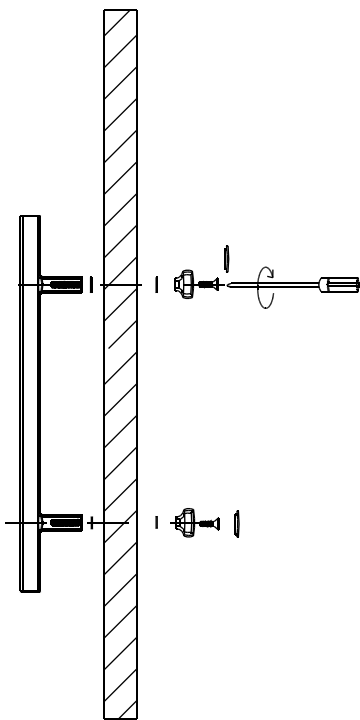
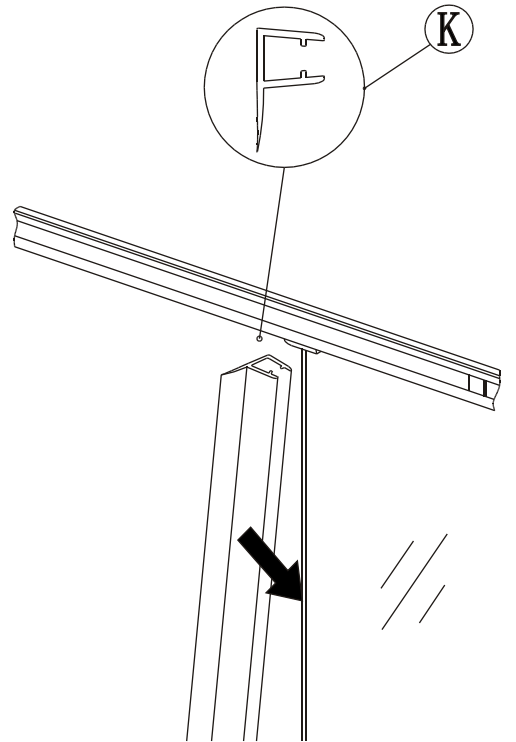
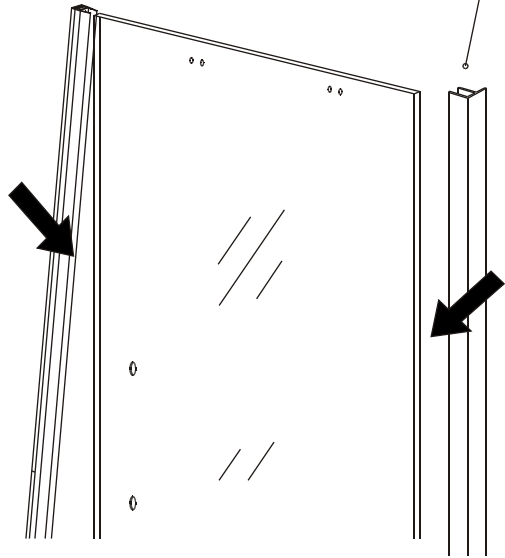
J



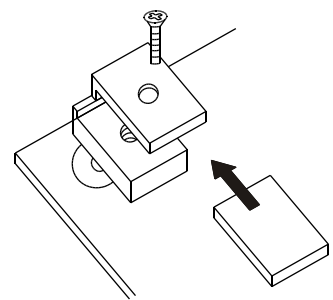
N



K

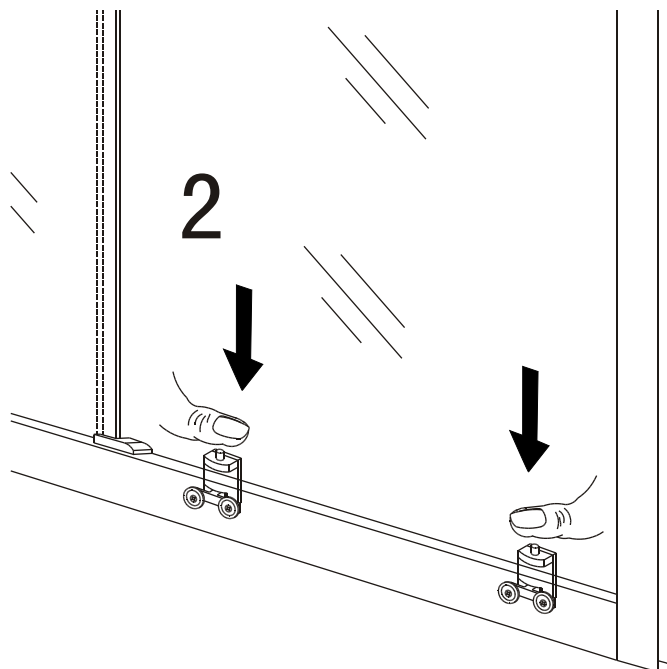
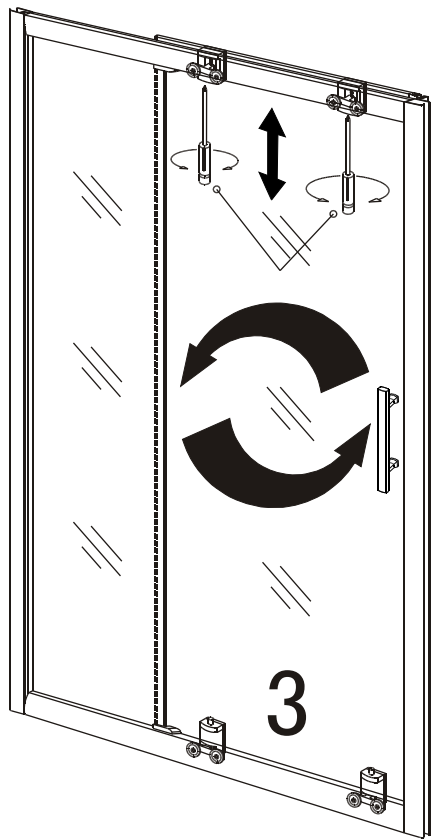
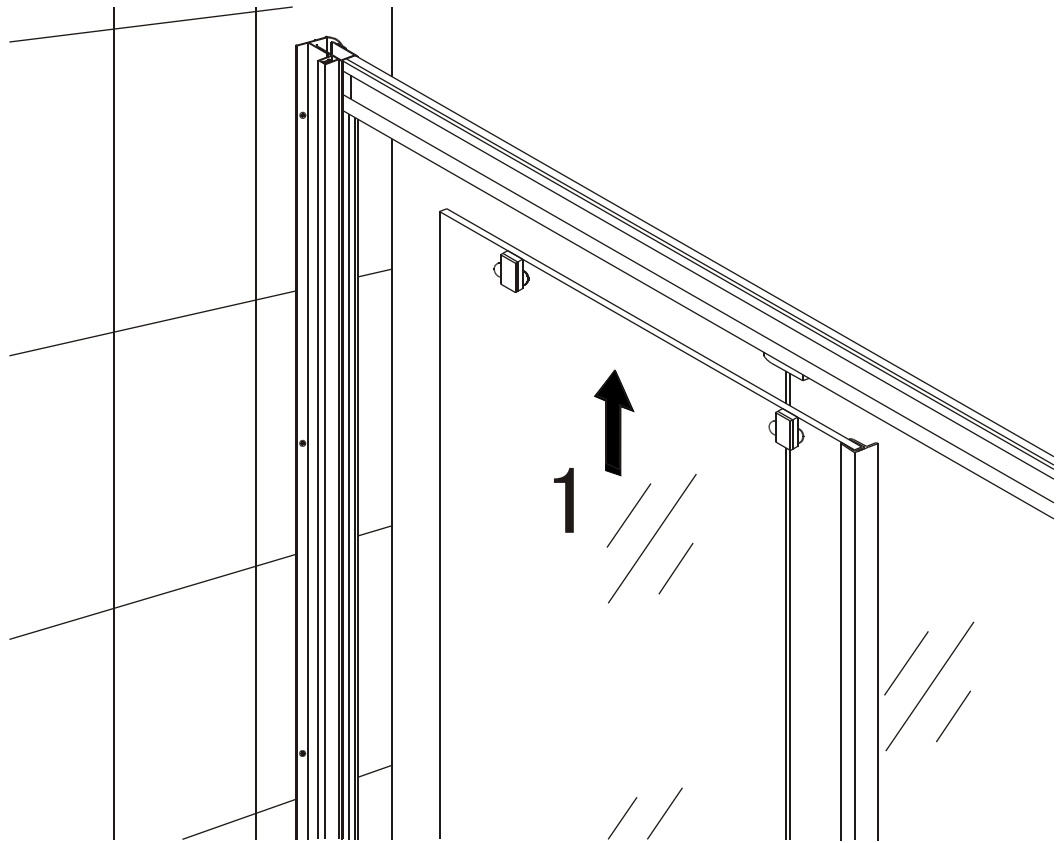


UP



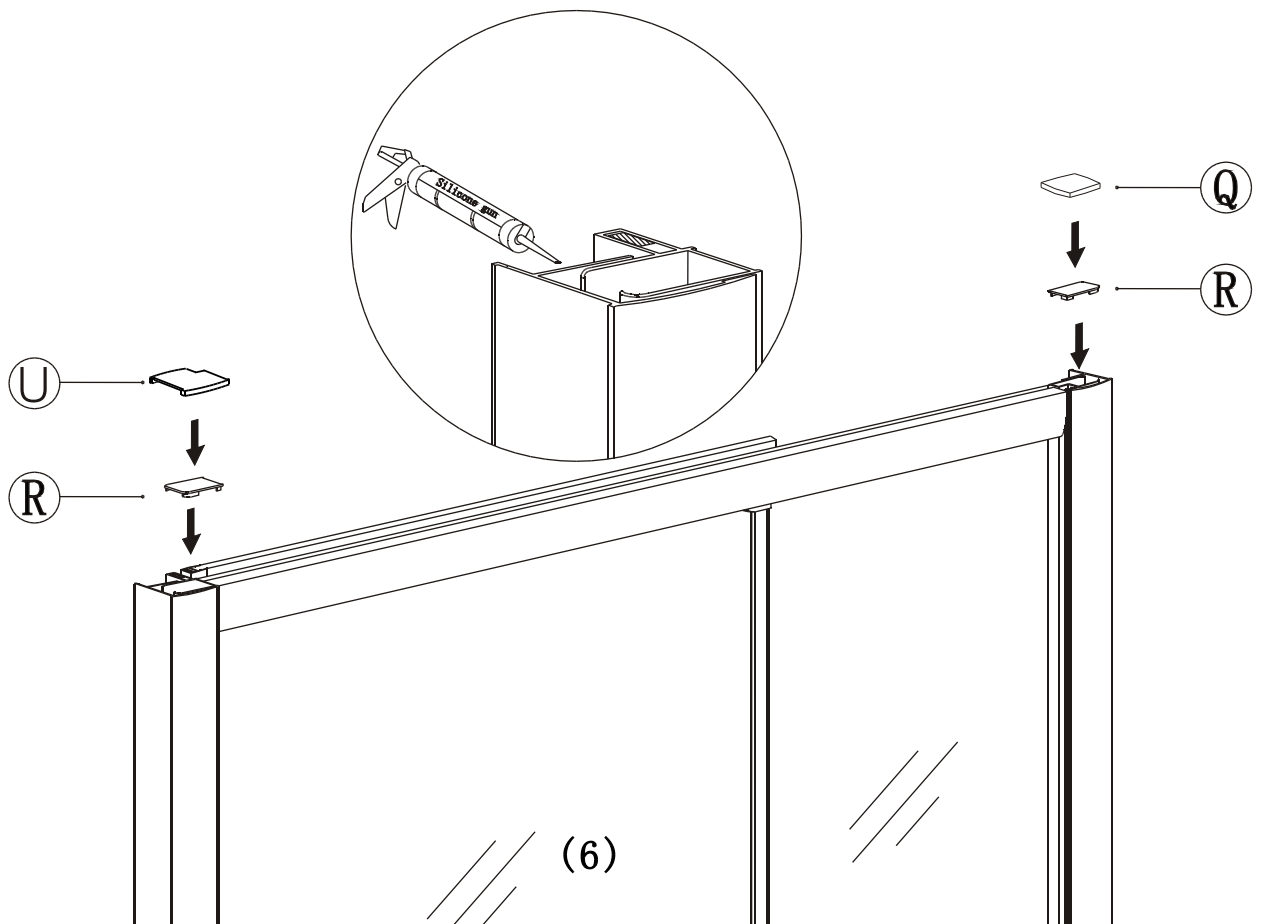
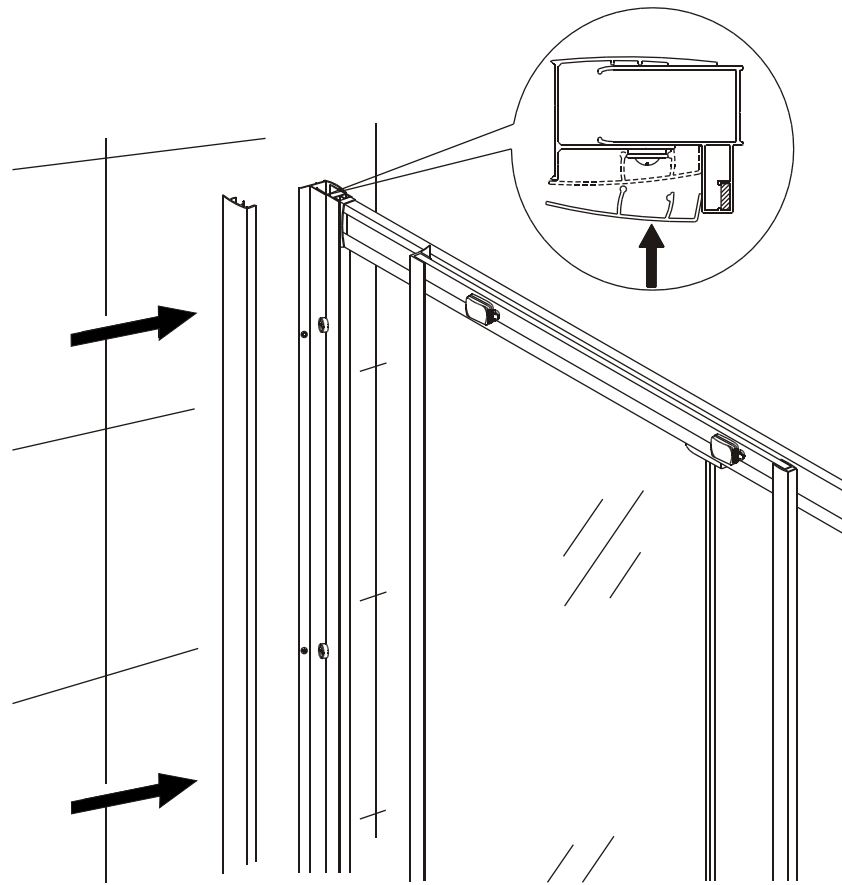
DOWN

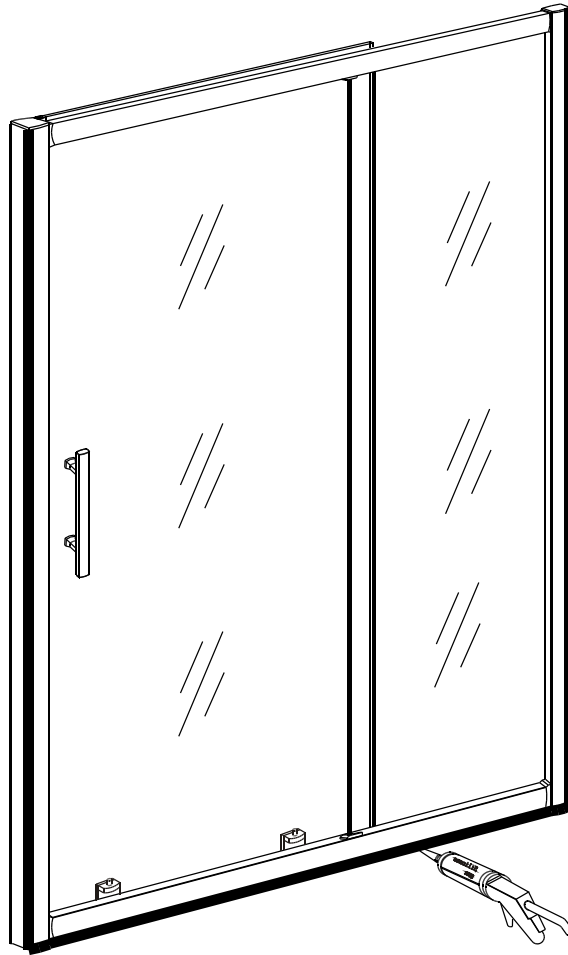
(4)



(5)







Please ensure silicone sealant is on the outside only.

## **Cleaning & Maintenance**

Don't clean the shower enclosure with irritant detergent such as alcohol, bleach or other chemical cleaners.

Only clean with warm soapy water.

After the installation is completed, should you find that there is notable noise when the glass door moves, you may add a small quantity of lubricant onto the roller wheel, slipping hook and the track.

Helpline: 01452 317890

(7)