

DATASHEET

Image



General Information

Product:	41.3021
Description:	15mm Straight TRV and Lock-shield Valve
Website Link:	(Click Here)
Product Type:	Radiator Valve
Brand:	Eastbrook Company
Colour:	Matt Anthracite
Material:	Brass + Plastic
Net Weight (kg):	0.47kg
Product Range:	Radiator Valves

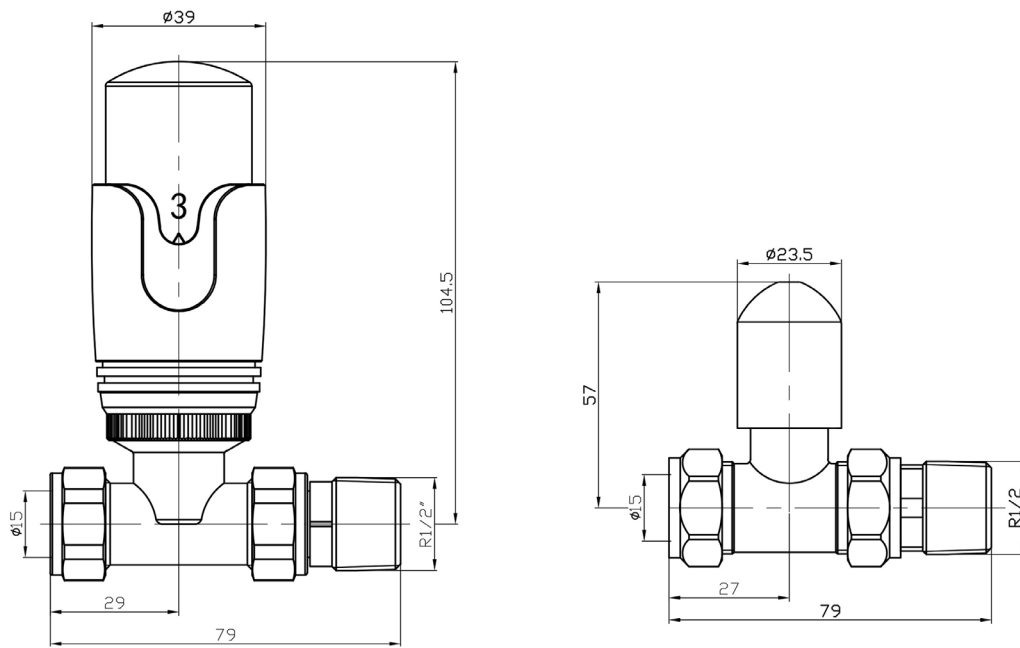
Product Specifications

Warranty:	2 Year(s)
Valve Types:	Straight

Drawing

Eastbrook

Straight Thermostatic Radiator Valve & Lockshield
Technical Drawing



- 12.048
- 12.043
- 12.033
- 41.3035
- 41.3020
- 41.3026
- 41.3028
- 41.3021
- 41.3022
- 12.075
- 12.078
- 12.084

Eastbrook 
Eastbrook Road, Gloucester GL4 3DB
Technical Helpline : 01452 317890
Mon - Fri / 8am - 5pm
Email : technical@eastbrookco.com