

---

## TECHNICAL SPECIFICATION

---

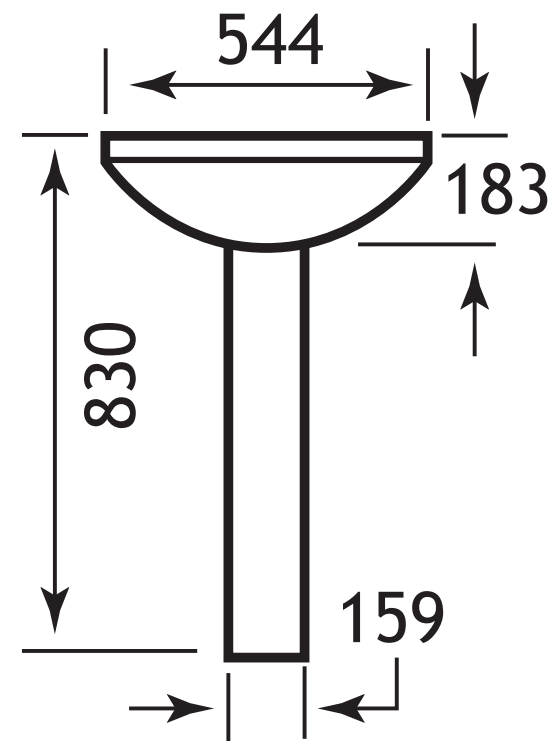
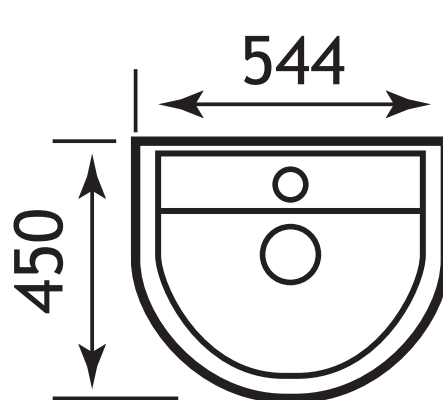
### PRODUCT NAME:

Dura Pedestal

### CODE:

26.0001

26.0002



---

For Technical Enquiries

email: [technical@eastbrookco.com](mailto:technical@eastbrookco.com)

helpline: 01452 317890

---