

DATASHEET

Image



General Information

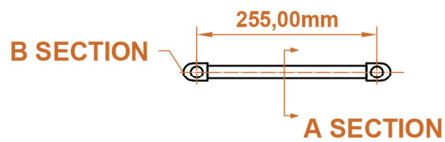
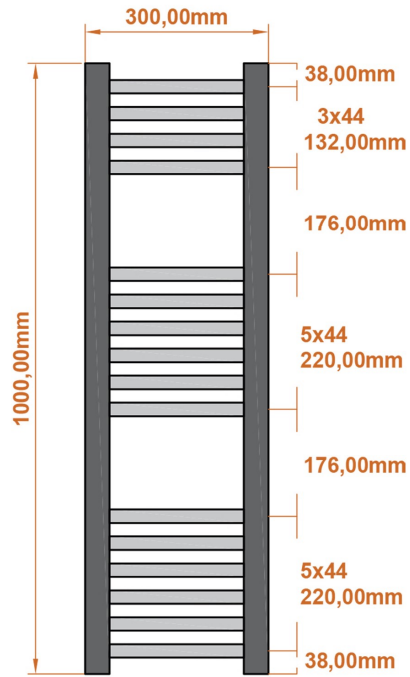
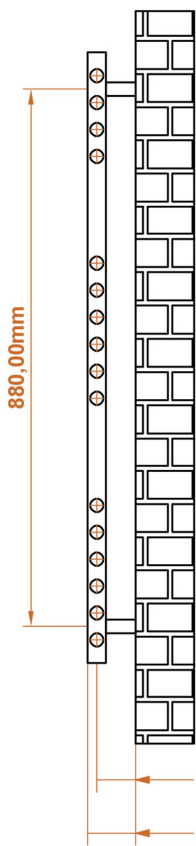
Product:	89.0661
Description:	Wingrave 1000 x 300 Straight Multirail
Website Link:	(Click Here)
Product Type:	Towel Rail
Brand:	Eastbrook Company
Colour:	Matt White
Material:	Mild Steel
Height (mm):	1000mm
Width (mm):	300mm
Net Weight (kg):	4.01kg
Product Range:	Wingrave

Product Specifications

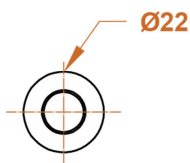
Warranty:	5 Year(s)
Supplied with fixings:	Yes
Watts $\Delta T50^{\circ}\text{C}$:	264
Valve Types:	

Drawing

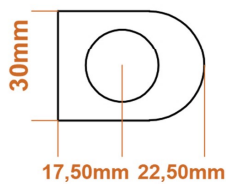
Wingrave Straight Towel Rail 1000 x 300mm. Technical Drawing



A SECTION



B SECTION



Eastbrook 
Eastbrook Road, Gloucester GL4 3DB
Technical Helpline : 01452 317890
Mon - Fri / 8am - 5pm
Email : technical@eastbrookco.com