
Troubleshooting



Eastbrook 

Bath Installation Instructions

Care & Maintenance

To maintain the surface finishes, simply wipe occasionally with mild detergent on a soft damp cloth. Dry using a soft damp cloth, never use abrasive cleaners or chemical household cleaners and avoid contact with concentrated bleach.

The products are manufactured to the highest of standards and should require little or no maintenance.

Telephone Helpline:

Should you require any technical help in association with your product please call: **Tel: 01452 317800** with your query.

Warranty: 25 years

For detail warranty information, please contact the emails for:

Sales: sales@eastbrookco.com

Orders only: orders@eastbrookco.com

Technical Enquires: technical@eastbrookco.com

Stock Enquires: stock@eastbrookco.com

Eastbrook Company
Eastbrook Road,
Gloucester GL4 3DB
Tel:01452317800
Fax:01452330494

Quality Acrylic Baths

Manufactured in the UK

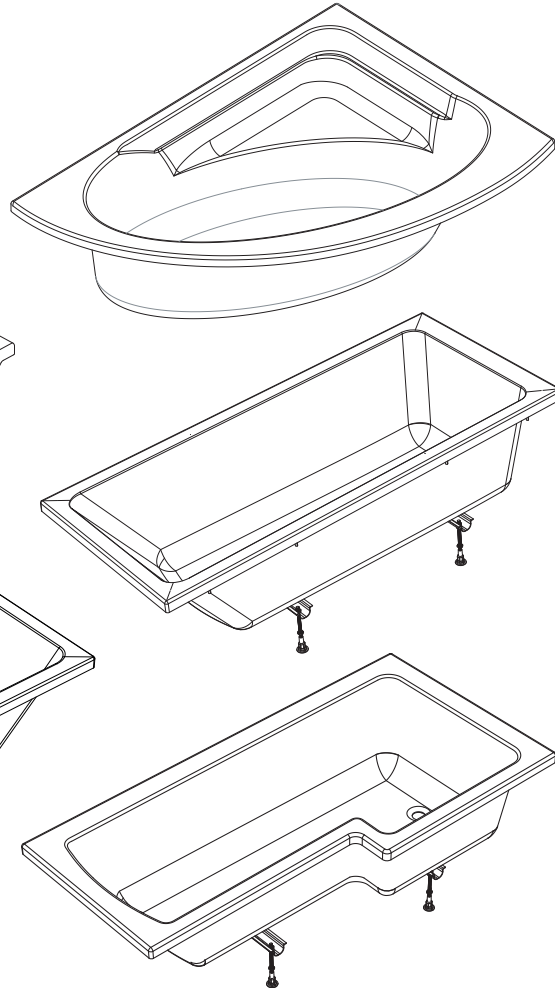


Made in UK

Corner, Straight and Shaped Baths Installation Instructions

- Read through the instruction booklet first before commencing any work. If you are unsure of any aspect of the installation, we recommend you contact a reputable tradesperson.
- Prior to fitting your bath, carefully remove all the packaging and film from the bath and examine the bath for damage and suitability of colour match.
- Check the panel fit and match prior to installation.
- Any refixing costs or claims for wrong colour match and/or any other fault will not be accepted after fixing.

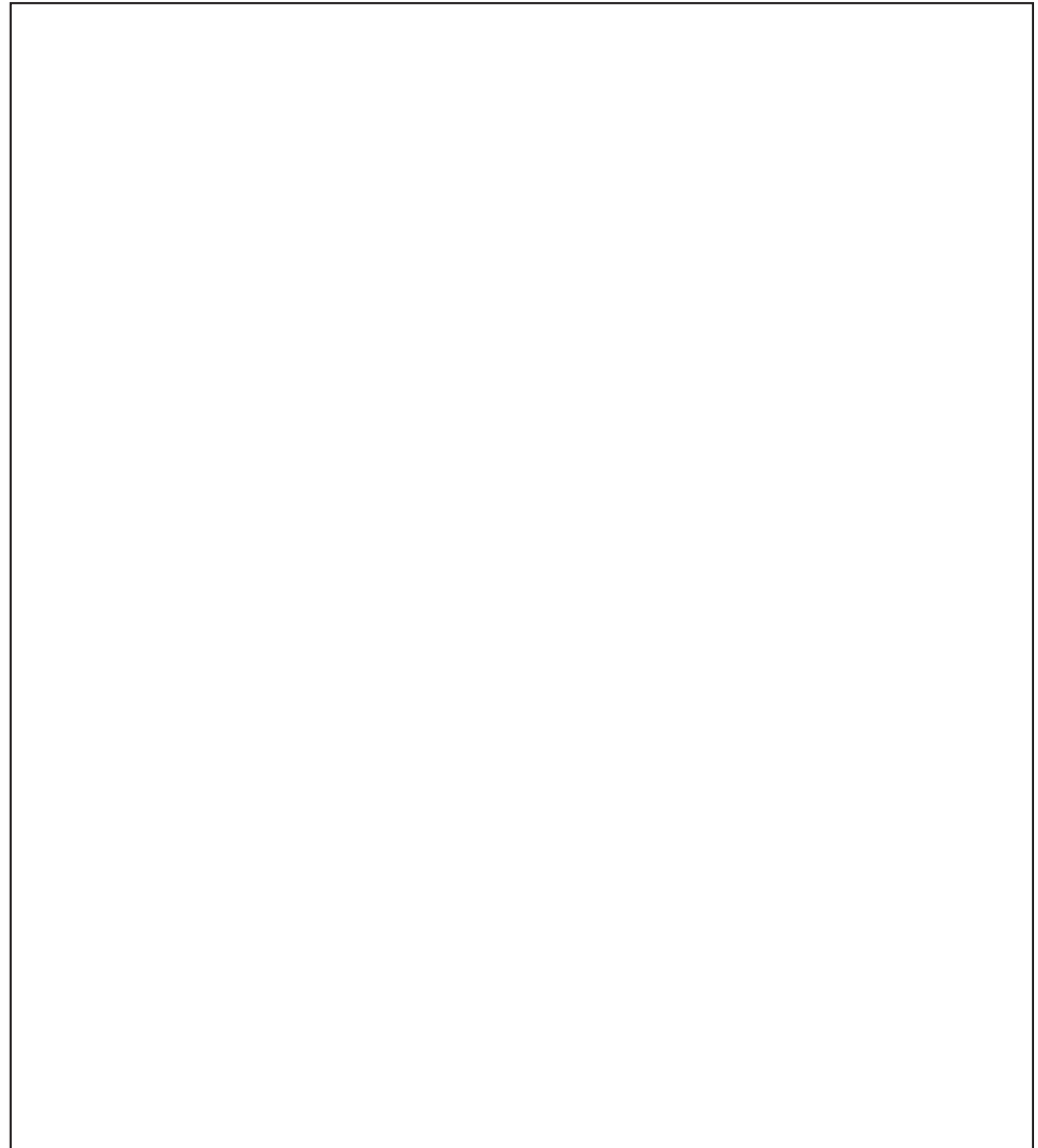
No claims for the above will be accepted once the bath is fitted.



25
Year
Guarantee

Please note, baths shown are for illustrational purposes only.

Installation Notes



Installation Dates

Retailer:	
Delivery Date:	
Installation:	
Tradesman:	
Tiles Retailer:	
Tile Ref:	
Waste Specification:	
Stop Tap Location:	
Tiles Location:	
Other:	

Additional notes

Installation tips

Leave spare tiles under the bath

Consider distance on panel dimensions against the wall allow depth of tile and adhesive when tiling

install stop taps easily accessible for reach when removing a future bath

check all dimensions of copper piping consider age of previous installation eg

Have a spare stop taps prior to installation

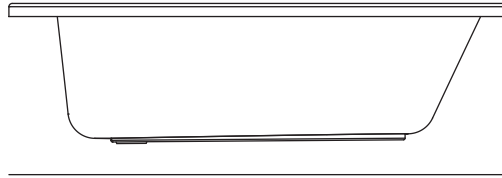
Bath Installation Instructions

Before you start

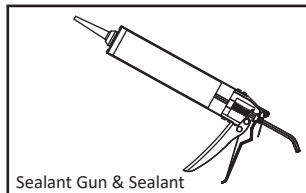
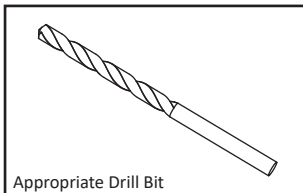
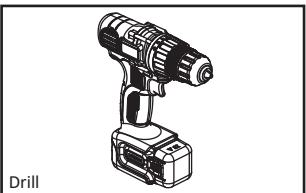
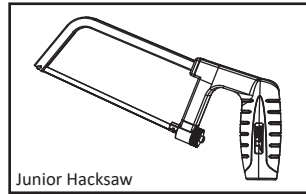
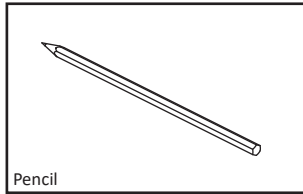
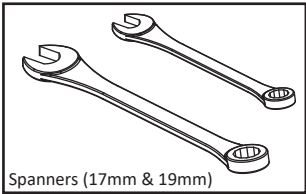
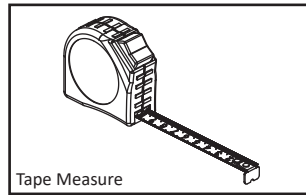
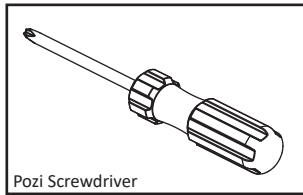
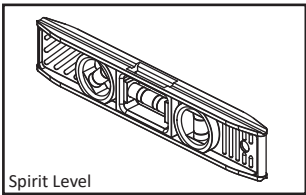
- Before fixing remove ALL protective covering and examine carefully. The polythene film must be removed in full and the bath checked for any visible damage.
- Unpack and check the product is complete and undamaged.
- Have the correct tools available.
- Please notify the retailer immediately of any damage or faults. The manufacturer cannot be held responsible for any installation costs that may arise from damaged or faulty product being installed. The guarantee does not cover impact related damage. Please dispose of all packaging with due regard to the environment.

Safety

- Handle the bath with care.
- This product is heavy and requires two persons to carry.
- When drilling walls, check first for hidden pipes and cables.
- Use safety eyewear when drilling.
- Keep small parts away from children.



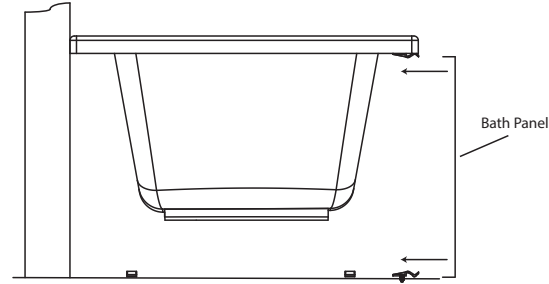
Tools required



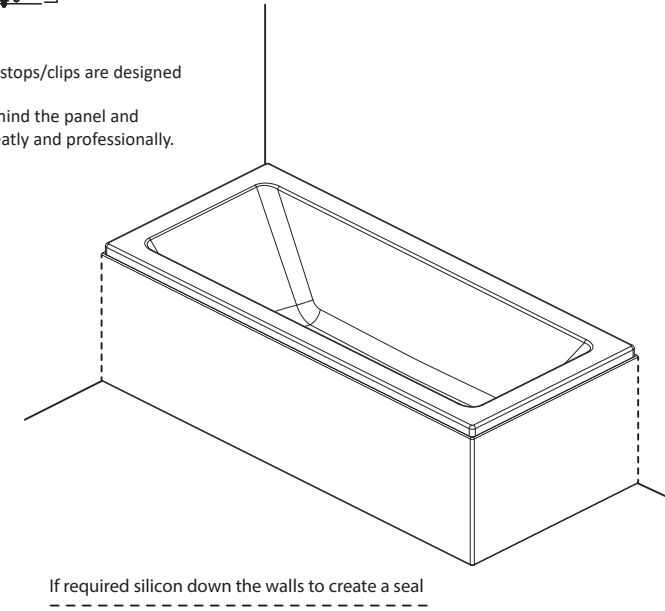
*Tools shown not supplied

*Ensure drill bit used is suitable for wall surface!

- Carefully fit the bath panel to the bath by gently pushing the bath panel into place. Ensure that the bath panel is firmly held in place with the bath panel clips.

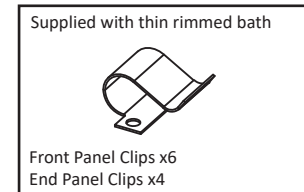
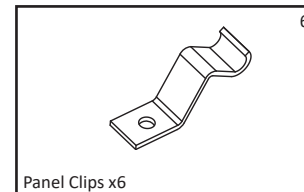


Please note to allow for future access the panel stops/clips are designed to hold the panel not lock it into position. Additional timbers may be fitted to the walls behind the panel and Velcro strips used to further secure the panel neatly and professionally.



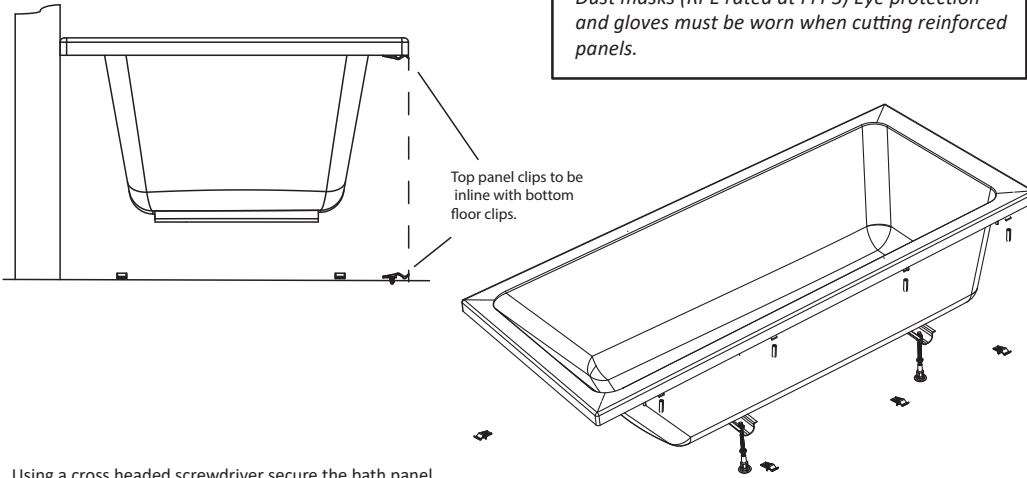
Panel Fittings:

Components shown below are supplied with the front panel (quantities dependant on panel type).



Panel Installation Instructions

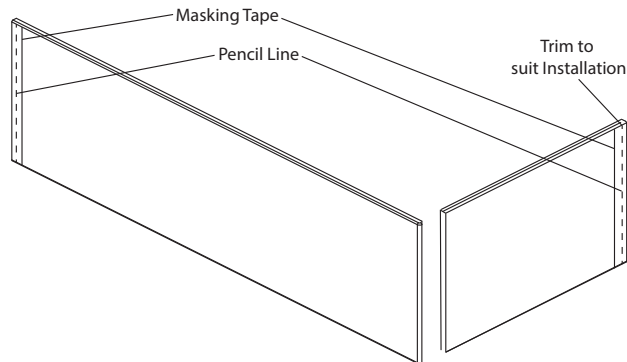
1. Please note bath shown without bath supports for illustration purposes.



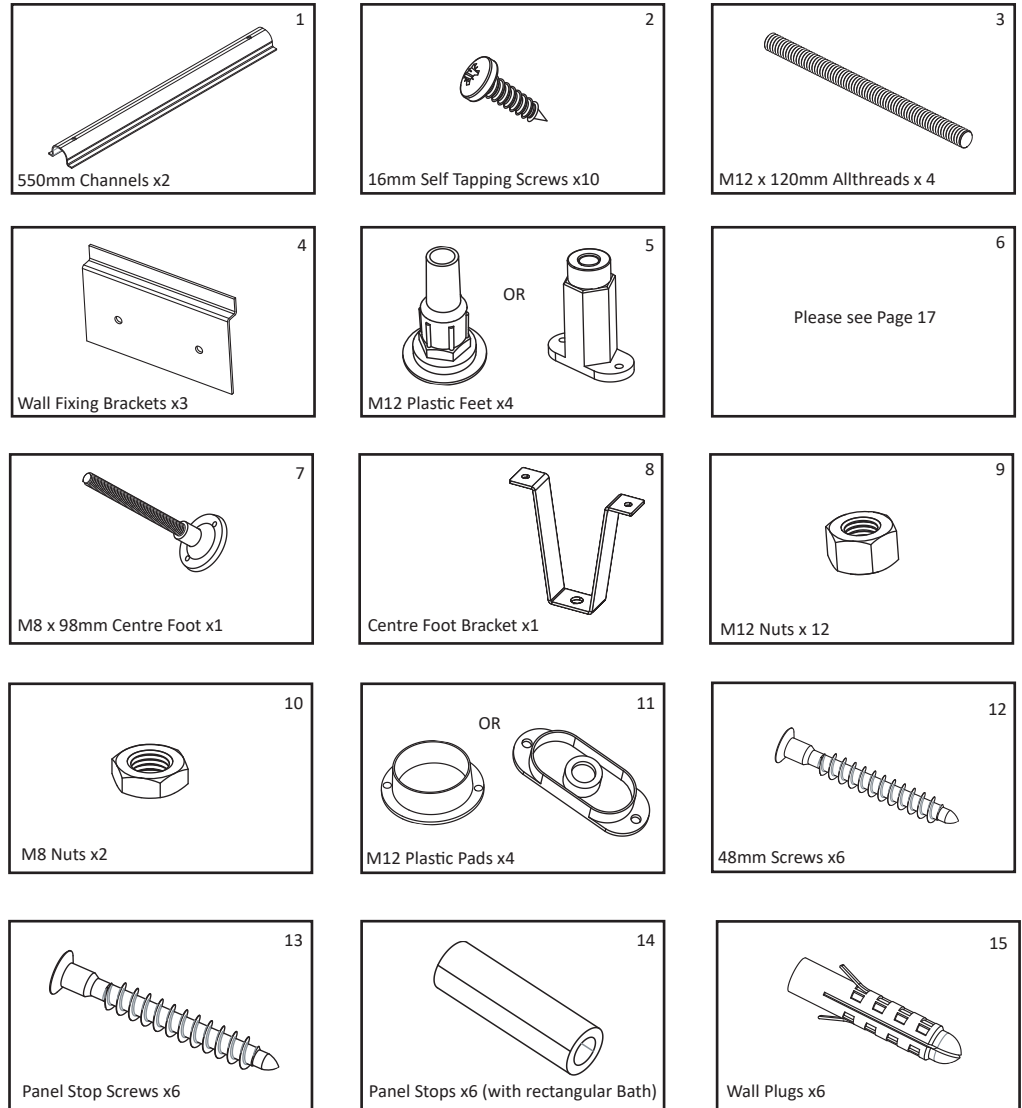
PPE Safety
 Dust masks (RPE rated at FFP3) Eye protection and gloves must be worn when cutting reinforced panels.

Using a cross headed screwdriver secure the bath panel clips to floor and the underside of the bath using the screws provided. Ensure that the panel clips are equally spaced and are in line with each other top to bottom and that the clips are marginally proud of the bath rim. [Please note If the bath does not have a timber frame such as on enamel baths) timber can be bonded to the underside using a suitable bonding agent]

2. Using a tape measure carefully measure the bath to which the panel is to be fitted. Place some masking tape at both ends of the bath panel and using a pencil carefully mark out the correct sizes required to suit the bath. Using a fine toothed saw, cut the panel to the required sizes. You may wish to clean the cut edges with a fine wet and dry paper. (NOTE! before cutting check to ensure the sizes are correct)



Parts provided in Bath Fittings



- We have taken great care to ensure that this product reaches you in perfect condition. However should any parts be damaged or missing please contact your point of purchase. This does not affect your statutory rights. In addition if you require replacement parts your point of purchase will be happy to assist.

- You may have additional spare parts, please discard with due regard to the environment.

Corner Bath Installation Instructions

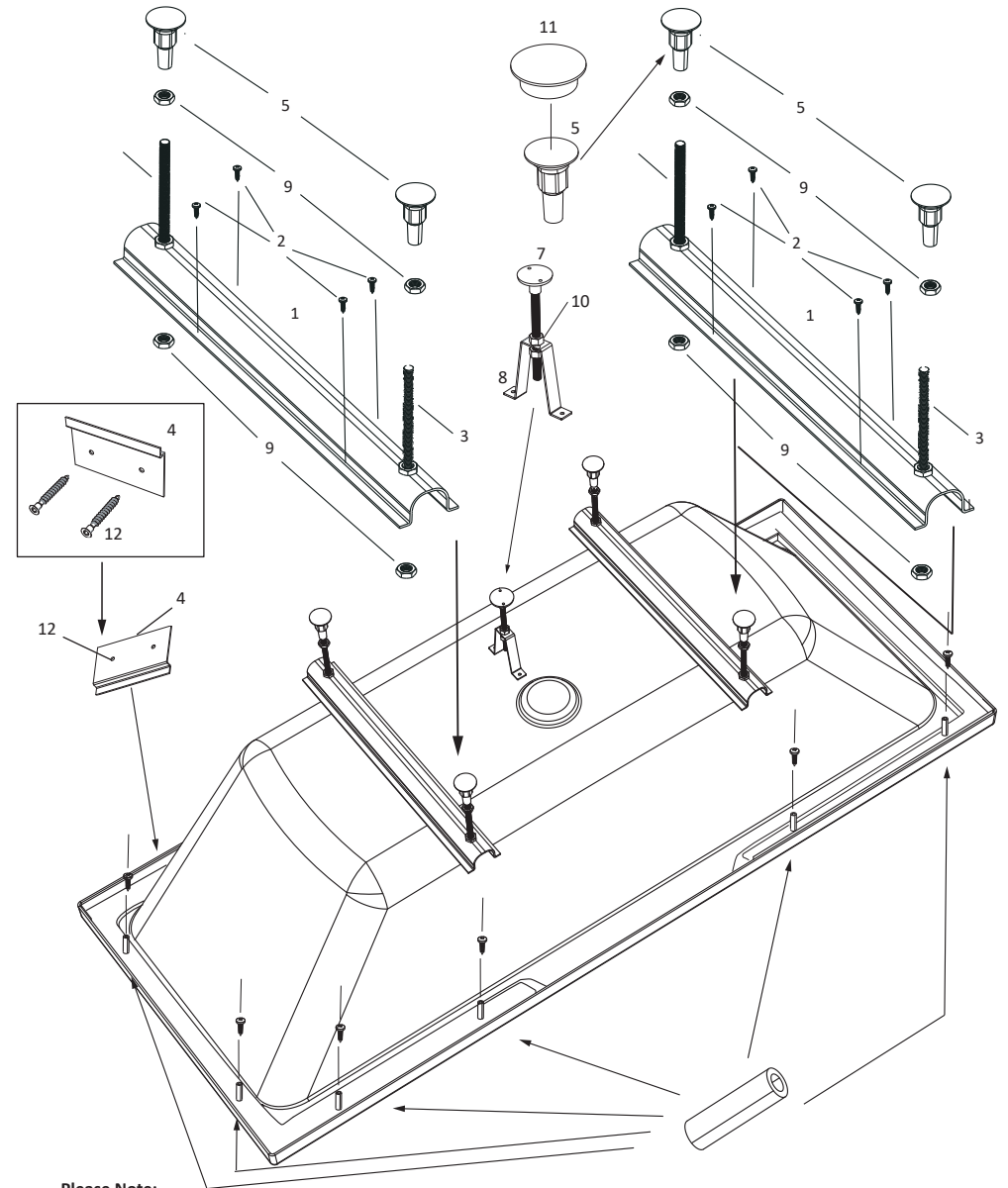
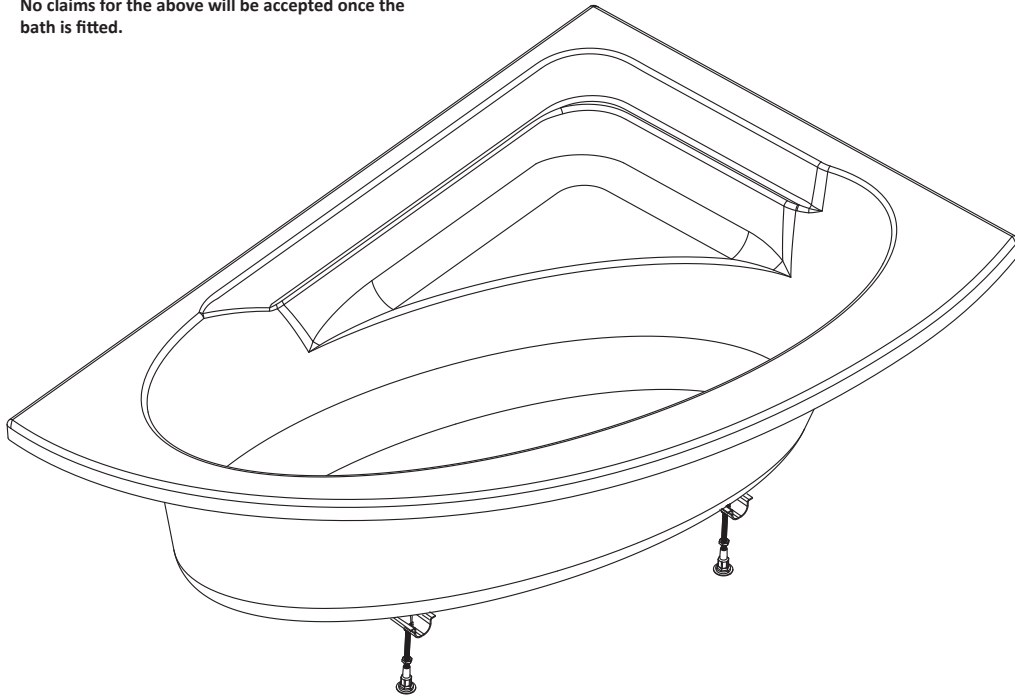
- Read through the instruction booklet first before commencing any work.
If you are unsure of any aspect of the installation, we recommend you contact a reputable tradesperson.

- Prior to fitting your bath, carefully remove all the packaging and film from the bath and examine the bath for damage and suitability of colour match.

- Check the panel fit and match prior to installation.

- Any refixing costs or claims for wrong colour match and/or any other fault will not be accepted after fixing.

No claims for the above will be accepted once the bath is fitted.



Please Note:

- Baths should be set at supplied panel height.
- The baseboard is encapsulated into the bath.
- Half the panel clips supplied should be secured (if possible) to the floor.
- Panel clips are not required on double ended baths.

- Before the final fixing of the bath, fit tap and waste fittings using a suitable sealing compound. When complete place the bath into position, re-check levels and make any final adjustments necessary. Finally secure the feet to the floor and the wall brackets to the wall. Movement may occur if not fitted correctly.
- CHECK THAT THE BATH RIM IS LEVEL.

Straight Double End Bath Installation Instructions

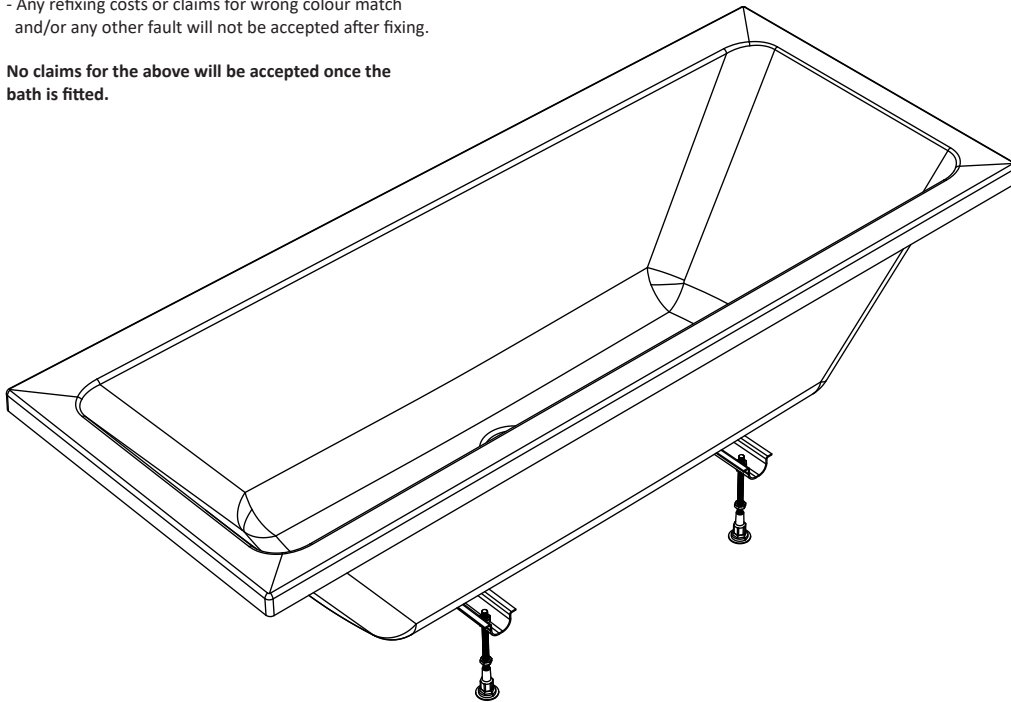
- Read through the instruction booklet first before commencing any work.
If you are unsure of any aspect of the installation, we recommend you contact a reputable tradesperson.

- Prior to fitting your bath, carefully remove all the packaging and film from the bath and examine the bath for damage and suitability of colour match.

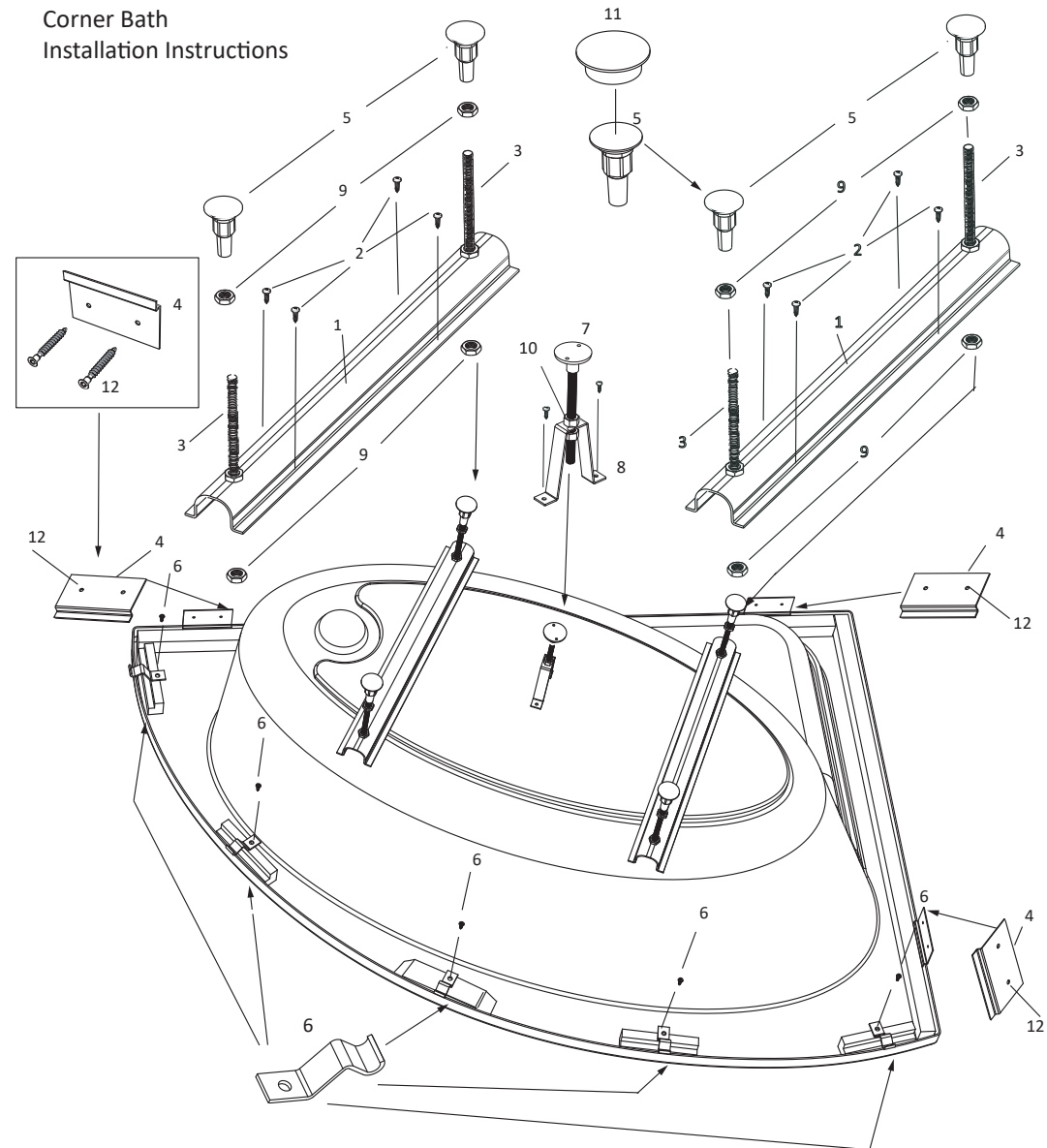
- Check the panel fit and match prior to installation.

- Any refixing costs or claims for wrong colour match and/or any other fault will not be accepted after fixing.

No claims for the above will be accepted once the bath is fitted.



Corner Bath Installation Instructions



Please Note:

- Baths should be set at supplied panel height.
- The baseboard is encapsulated into the bath.
- Half the panel clips supplied should be secured (if possible) to the floor.

- Before the final fixing of the bath, fit tap and waste fittings using a suitable sealing compound.
- When complete place the bath into position, re-check levels and make any final adjustments necessary.
- Finally secure the feet to the floor and the wall brackets to the wall. Movement may occur if not fitted correctly.
- CHECK THAT THE BATH RIM IS LEVEL.

Rectangular Bath Installation Instructions

- Read through the instruction booklet first before commencing any work.
If you are unsure of any aspect of the installation, we recommend you contact a reputable tradesperson.

- Prior to fitting your bath, carefully remove all the packaging and film from the bath and examine the bath for damage and suitability of colour match.

- Check the panel fit and match prior to installation.

- Any refixing costs or claims for wrong colour match and/or any other fault will not be accepted after fixing.

No claims for the above will be accepted once the bath is fitted.

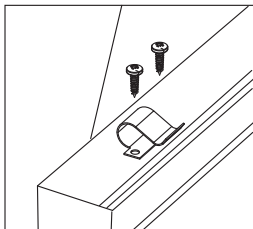
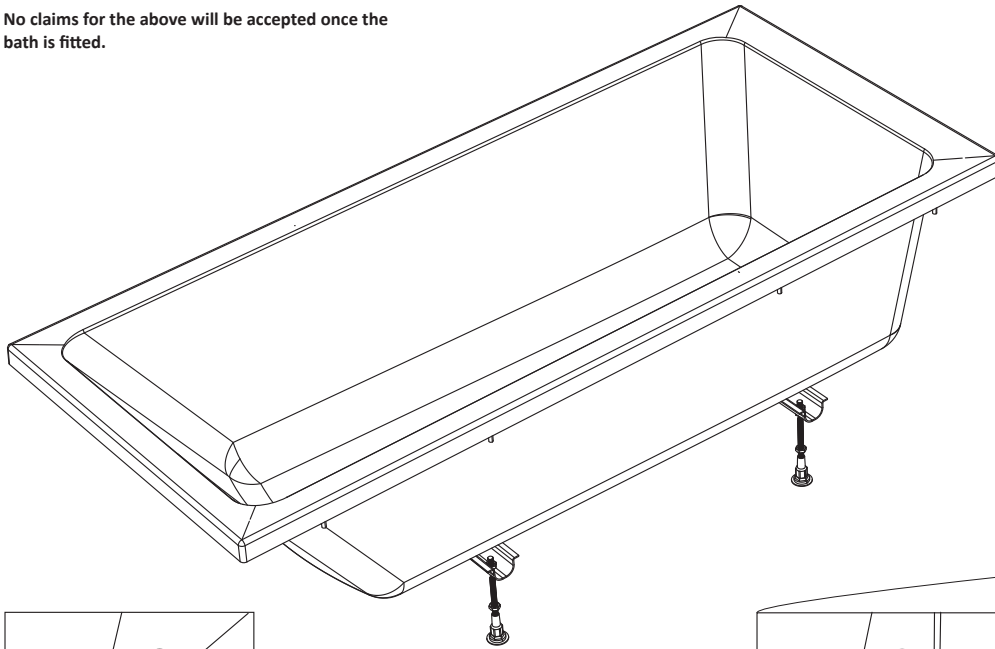
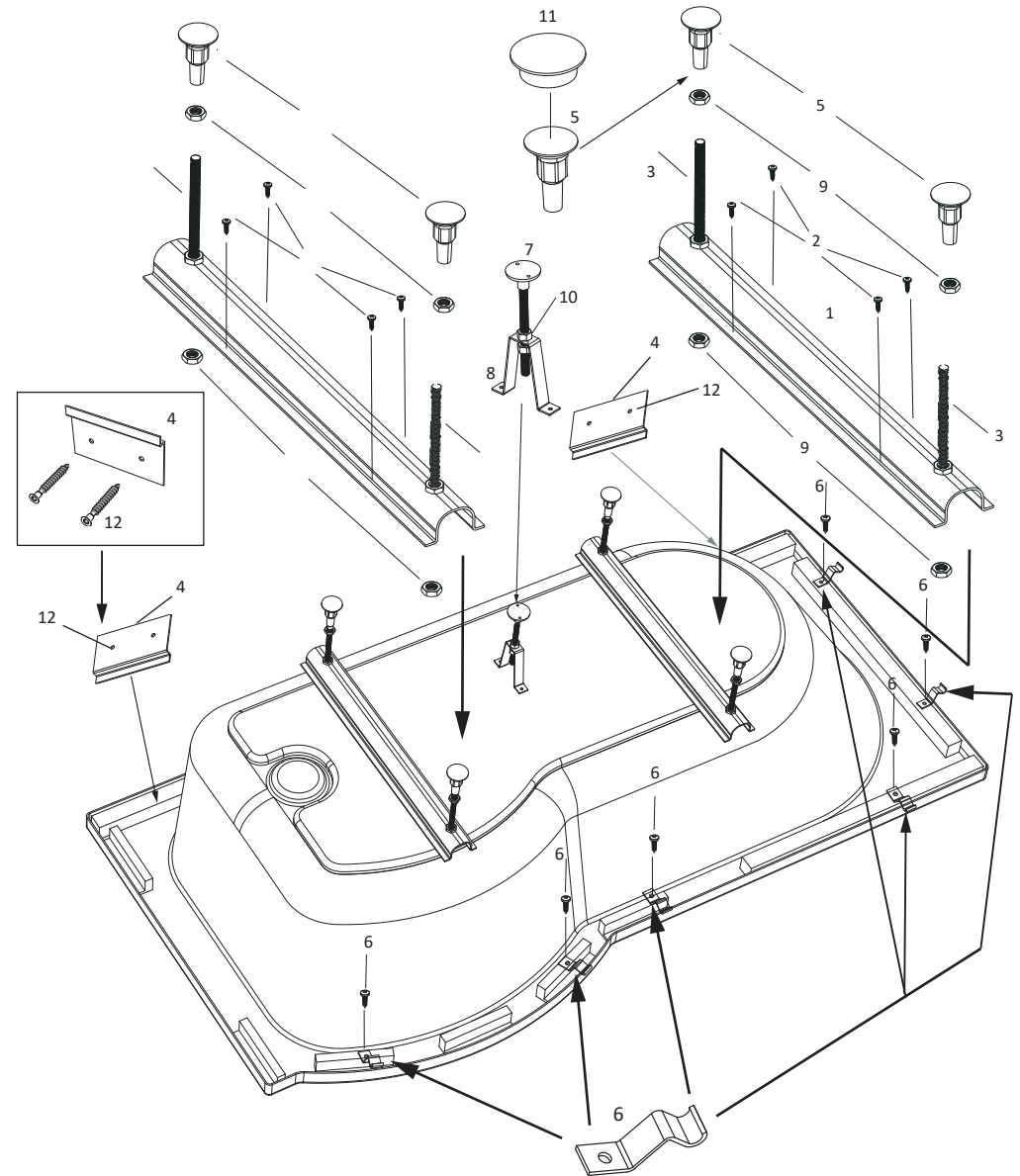
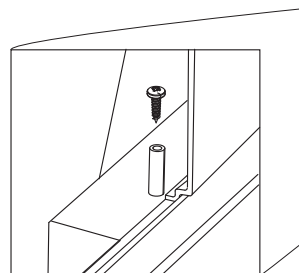


Image shown of thin rimmed Panel Clips.



Please Note:

- Baths should be set at supplied panel height.
- The baseboard is encapsulated into the bath.
- Half the panel clips supplied should be secured (if possible) to the floor.

- Before the final fixing of the bath, fit tap and waste fittings using a suitable sealing compound.
When complete place the bath into position, re-check levels and make any final adjustments necessary.
Finally secure the feet to the floor and the wall brackets to the wall. Movement may occur if not fitted correctly.
- CHECK THAT THE BATH RIM IS LEVEL.

P Shaped Bath Installation Instructions

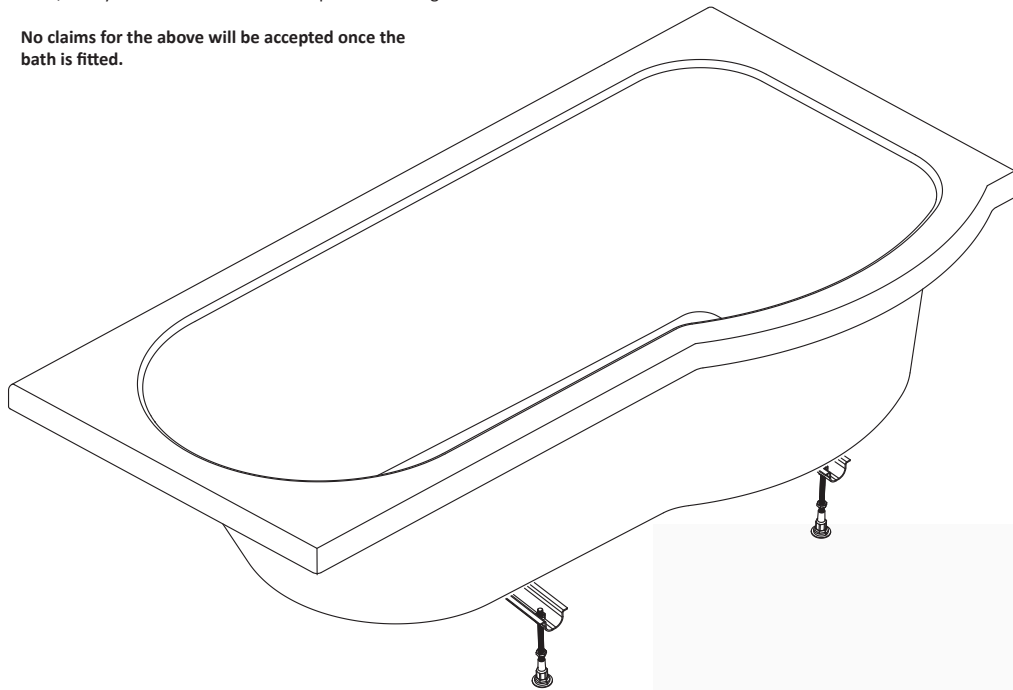
- Read through the instruction booklet first before commencing any work.
If you are unsure of any aspect of the installation, we recommend you contact a reputable tradesperson.

- Prior to fitting your bath, carefully remove all the packaging and film from the bath and examine the bath for damage and suitability of colour match.

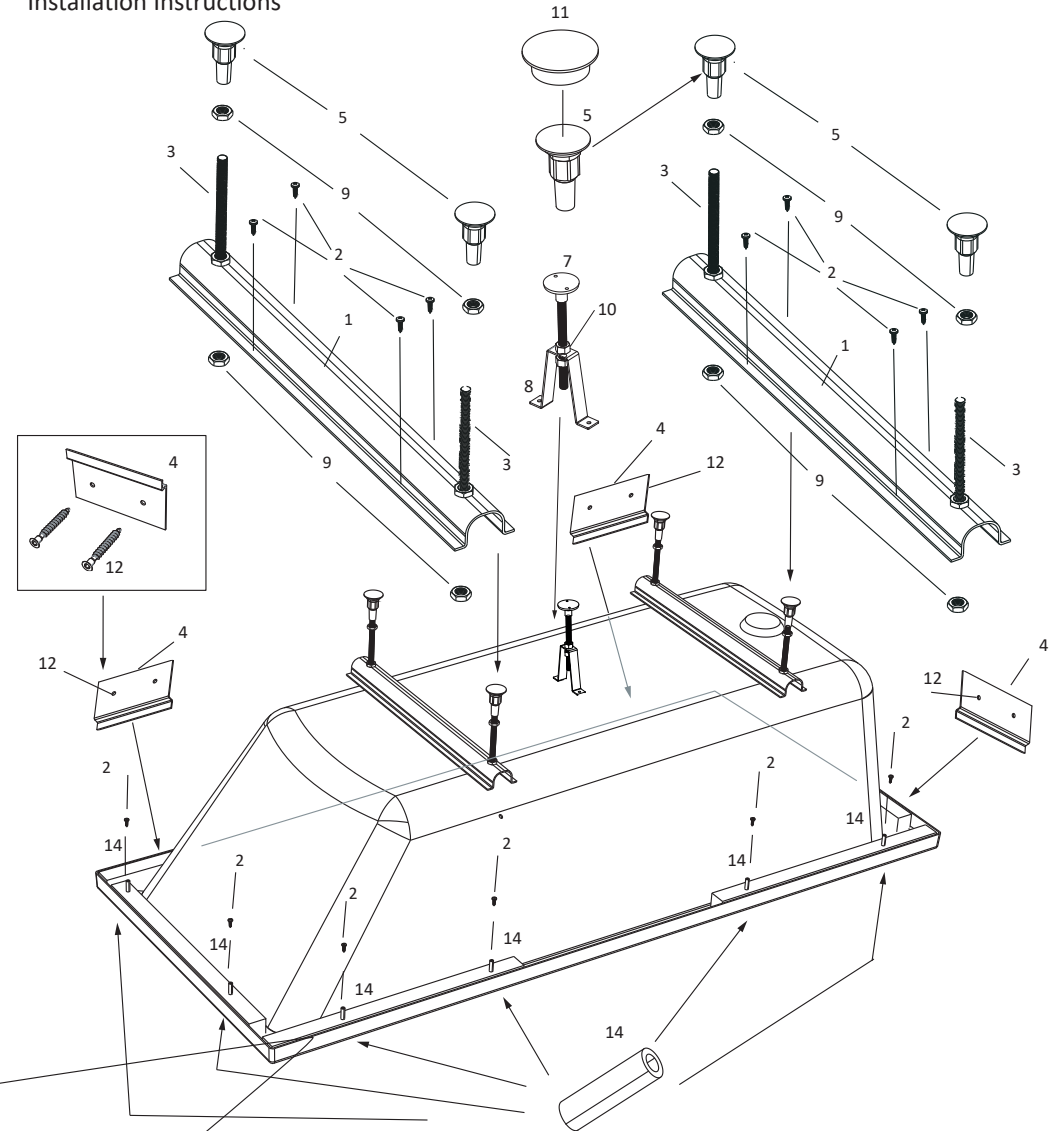
- Check the panel fit and match prior to installation.

- Any refixing costs or claims for wrong colour match and/or any other fault will not be accepted after fixing.

No claims for the above will be accepted once the bath is fitted.



Rectangular Bath Installation Instructions



Please Note:

- Baths should be set at supplied panel height.
- The baseboard is encapsulated into the bath.
- Half the panel clips supplied should be secured (if possible) to the floor.

- Before the final fixing of the bath, fit tap and waste fittings using a suitable sealing compound.
- When complete place the bath into position, re-check levels and make any final adjustments necessary.
- Finally secure the feet to the floor and the wall brackets to the wall. Movement may occur if not fitted correctly.
- CHECK THAT THE BATH RIM IS LEVEL.

L-Shape Bath Installation Instructions

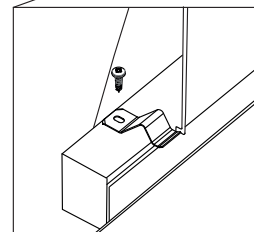
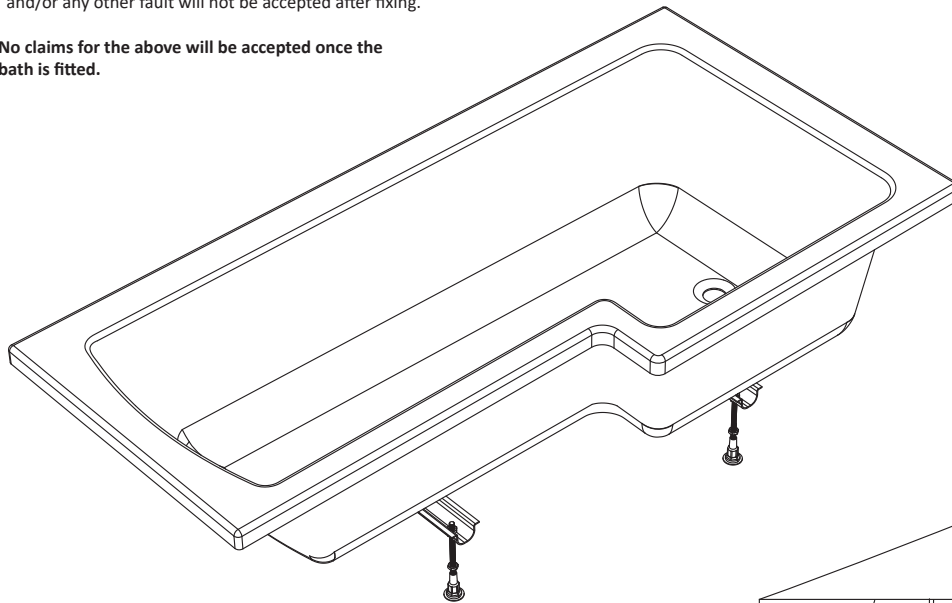
- Read through the instruction booklet first before commencing any work.
If you are unsure of any aspect of the installation, we recommend you contact a reputable tradesperson.

- Prior to fitting your bath, carefully remove all the packaging and film from the bath and examine the bath for damage and suitability of colour match.

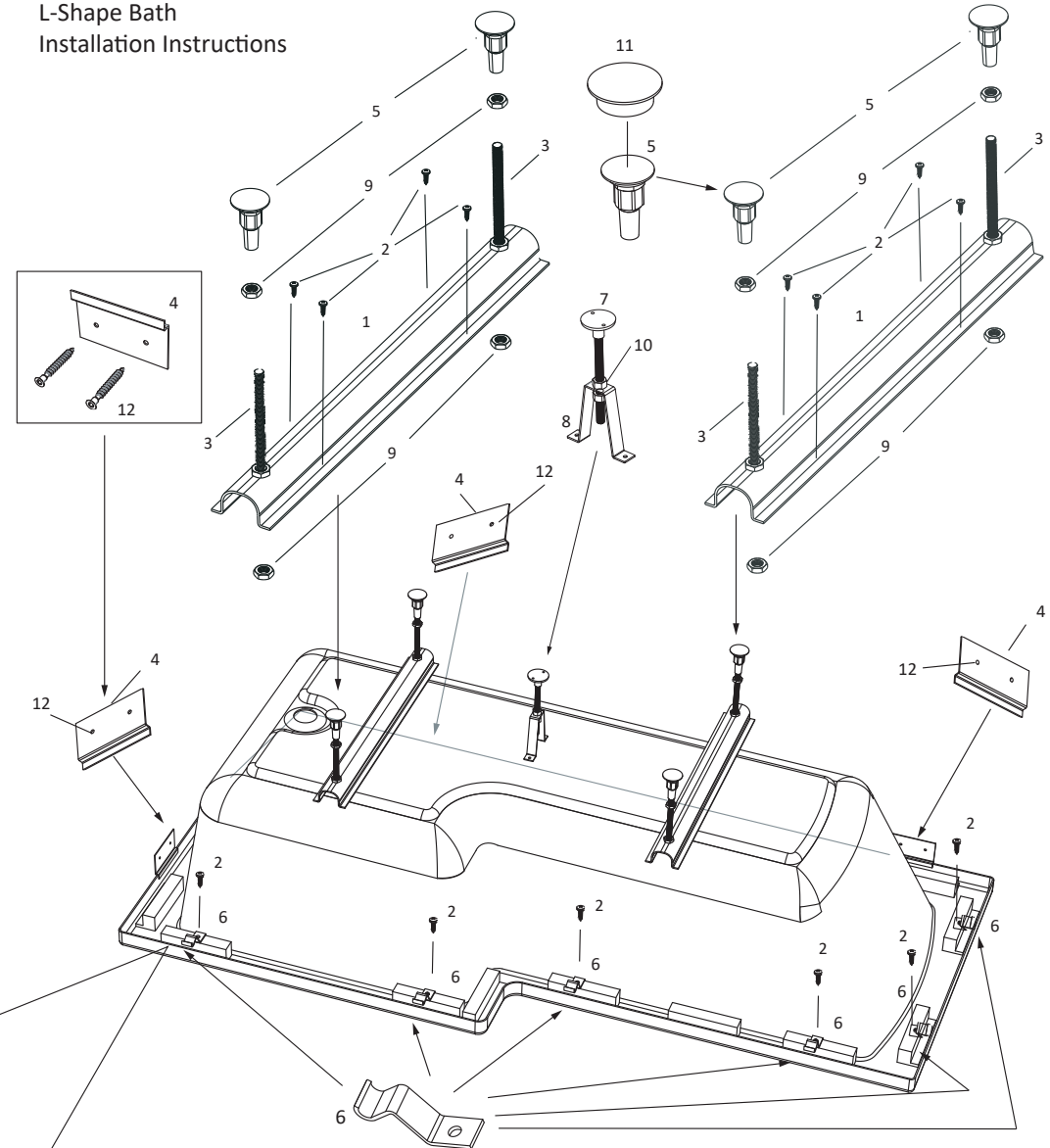
- Check the panel fit and match prior to installation.

- Any refixing costs or claims for wrong colour match and/or any other fault will not be accepted after fixing.

No claims for the above will be accepted once the bath is fitted.



L-Shape Bath Installation Instructions



Please Note:

- Baths should be set at supplied panel height.
- The baseboard is encapsulated into the bath.
- Half the panel clips supplied should be secured (if possible) to the floor.

- Before the final fixing of the bath, fit tap and waste fittings using a suitable sealing compound.
When complete place the bath into position, re-check levels and make any final adjustments necessary.
Finally secure the feet to the floor and the wall brackets to the wall. Movement may occur if not fitted correctly.
- CHECK THAT THE BATH RIM IS LEVEL.