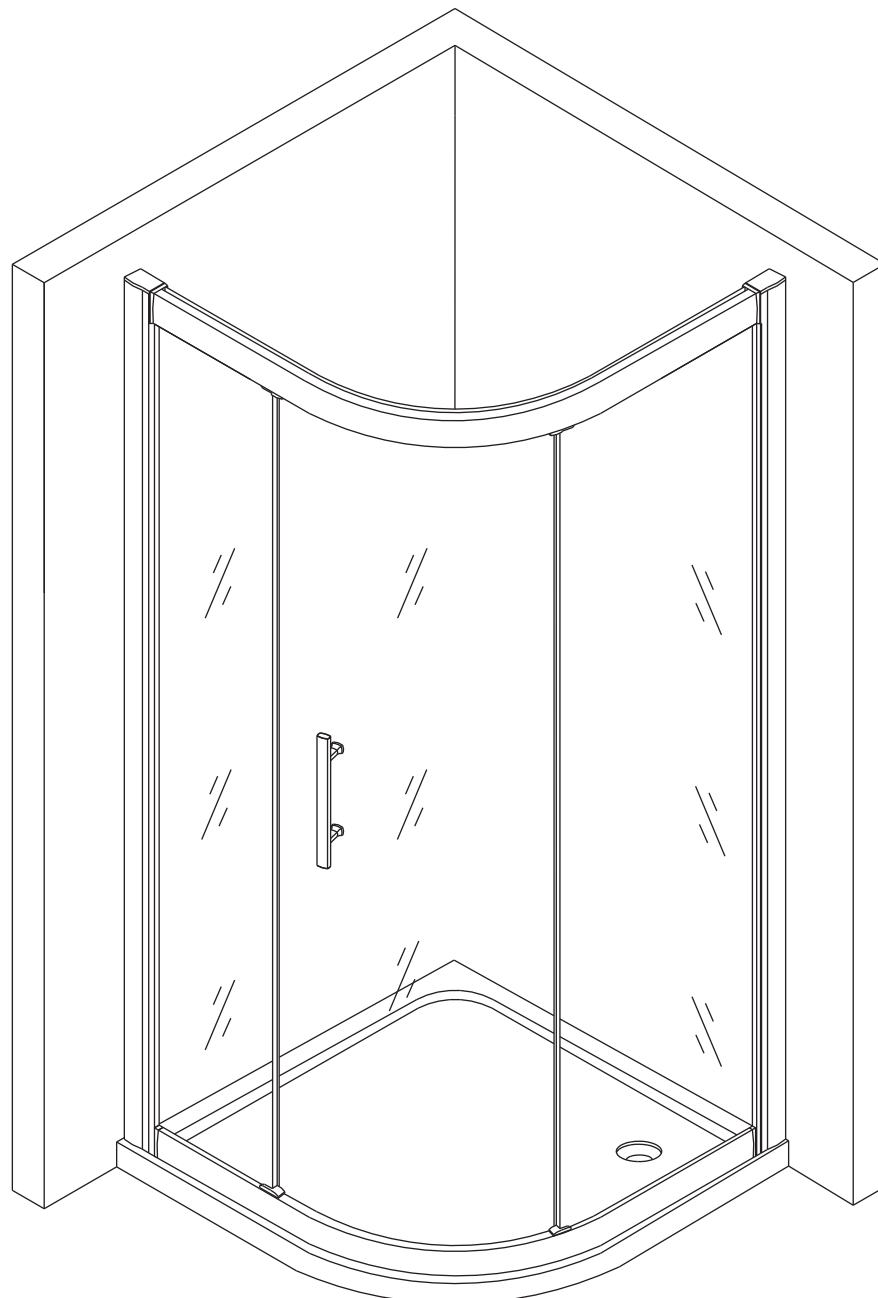


# INSTALLATION MANUAL



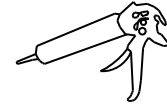
# TOOLS REQUIRE



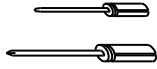
Pencil



( $\varnothing 6$  &  $\varnothing 3.2$ ) bit drill



Silicone gun



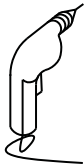
Flat and cross screwdriver



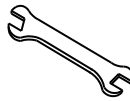
Tap measure



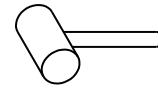
Level ruler



Drill machine

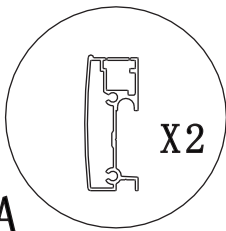


Spanner

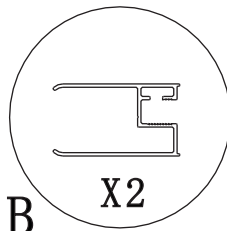


Rubber hammer

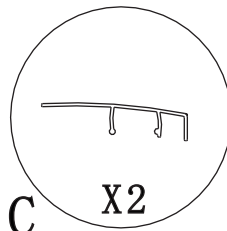
# PACKING LIST



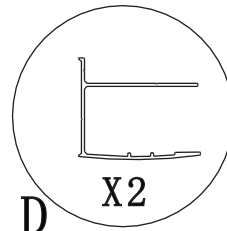
A



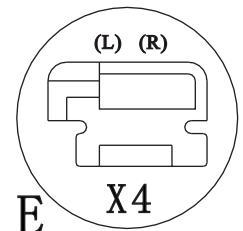
B



C



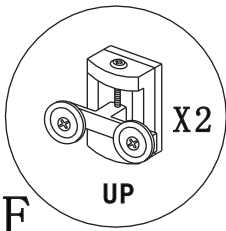
D



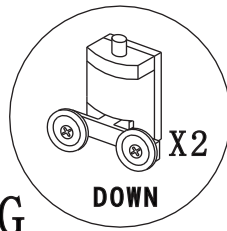
E

L=1745mm

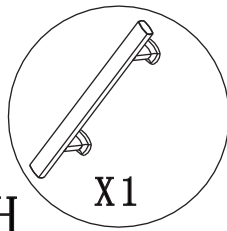
L=1745mm



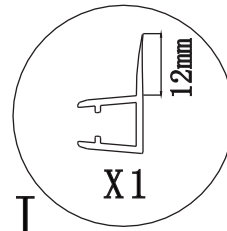
F



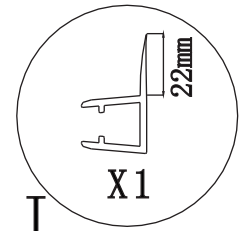
G



H

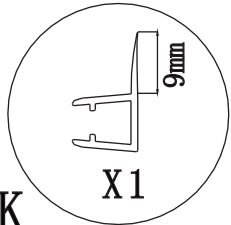


I

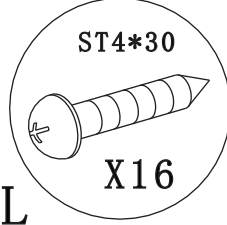


J

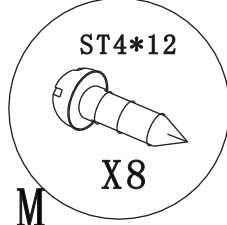
L=1825mm



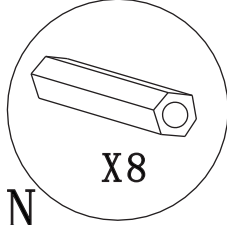
K



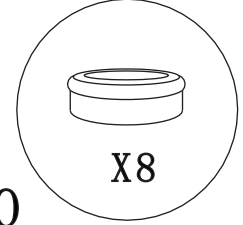
L



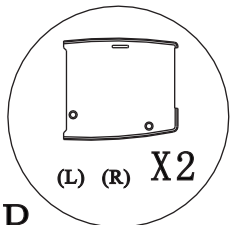
M



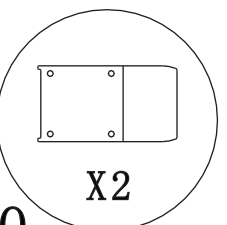
N



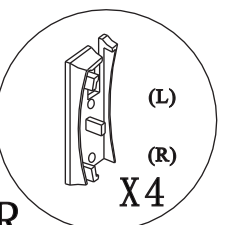
O



P

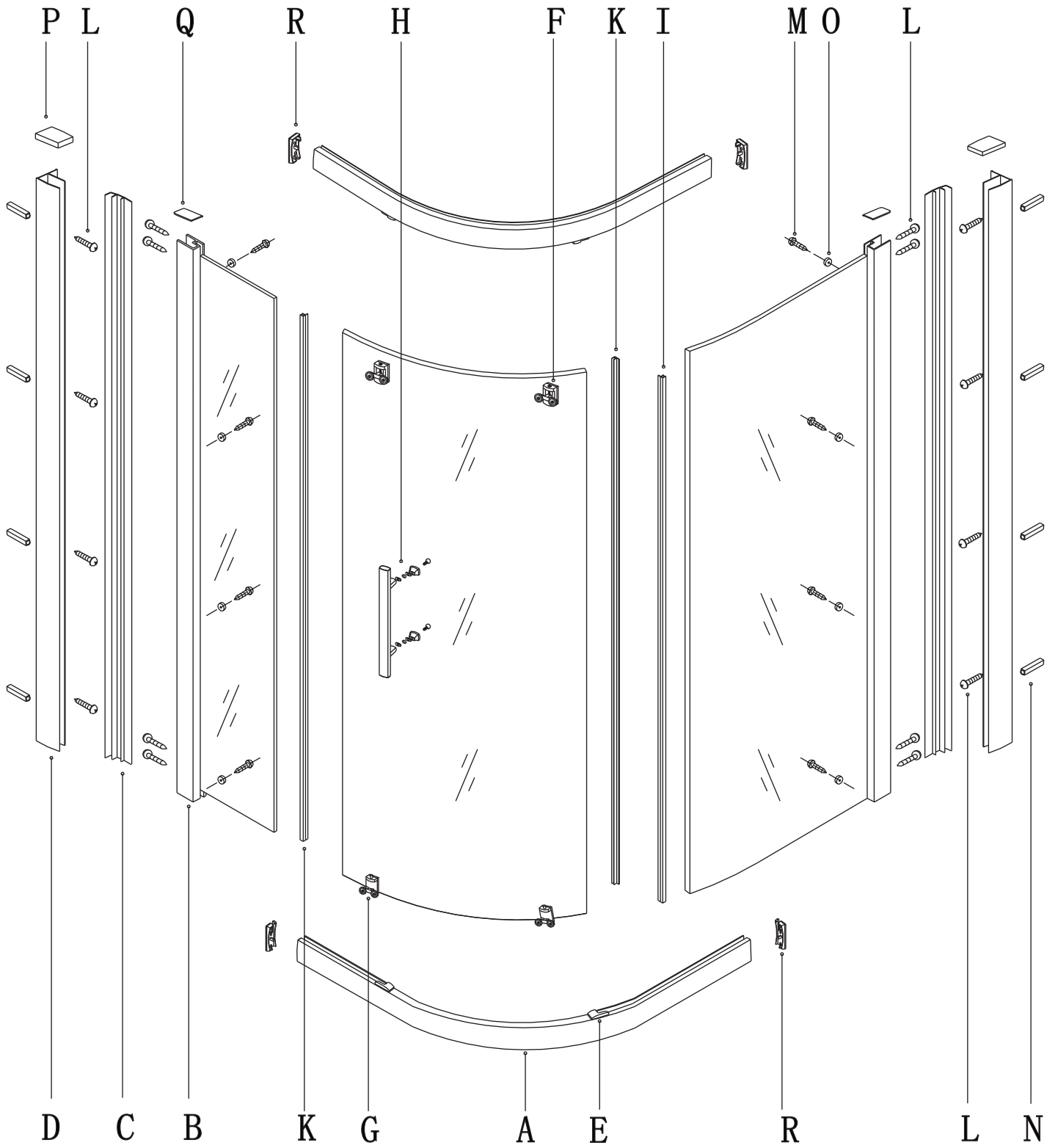


Q

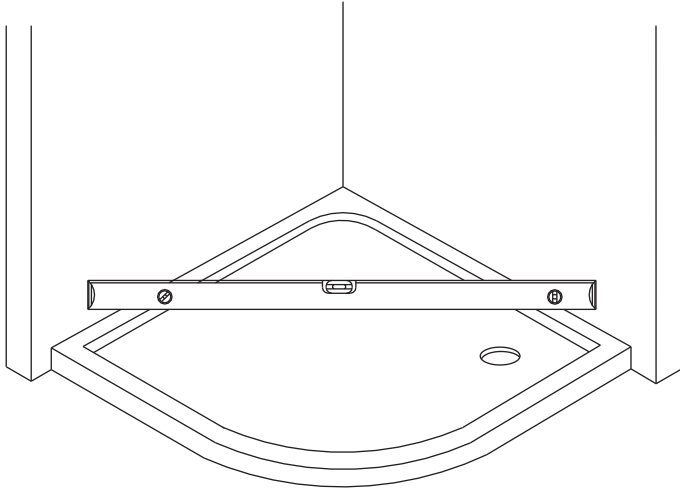


R

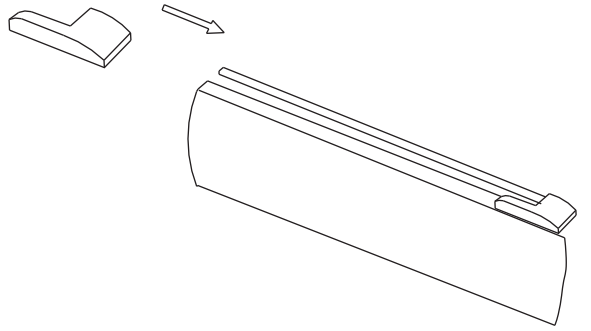
# PRODUCT SCHEMATIC DIAGRAM



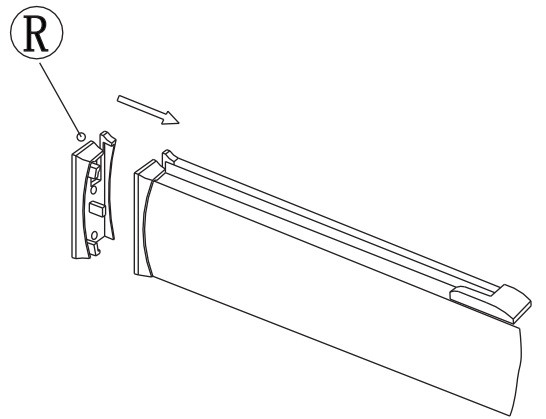
1



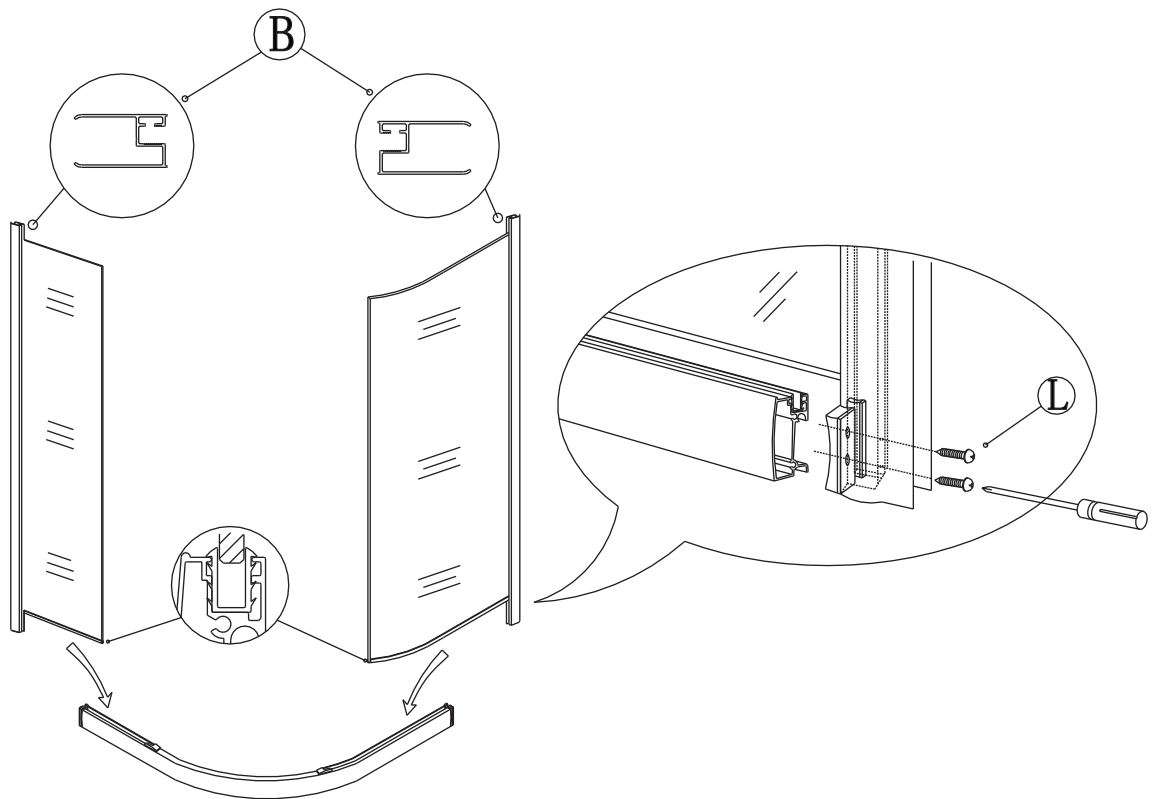
2



3

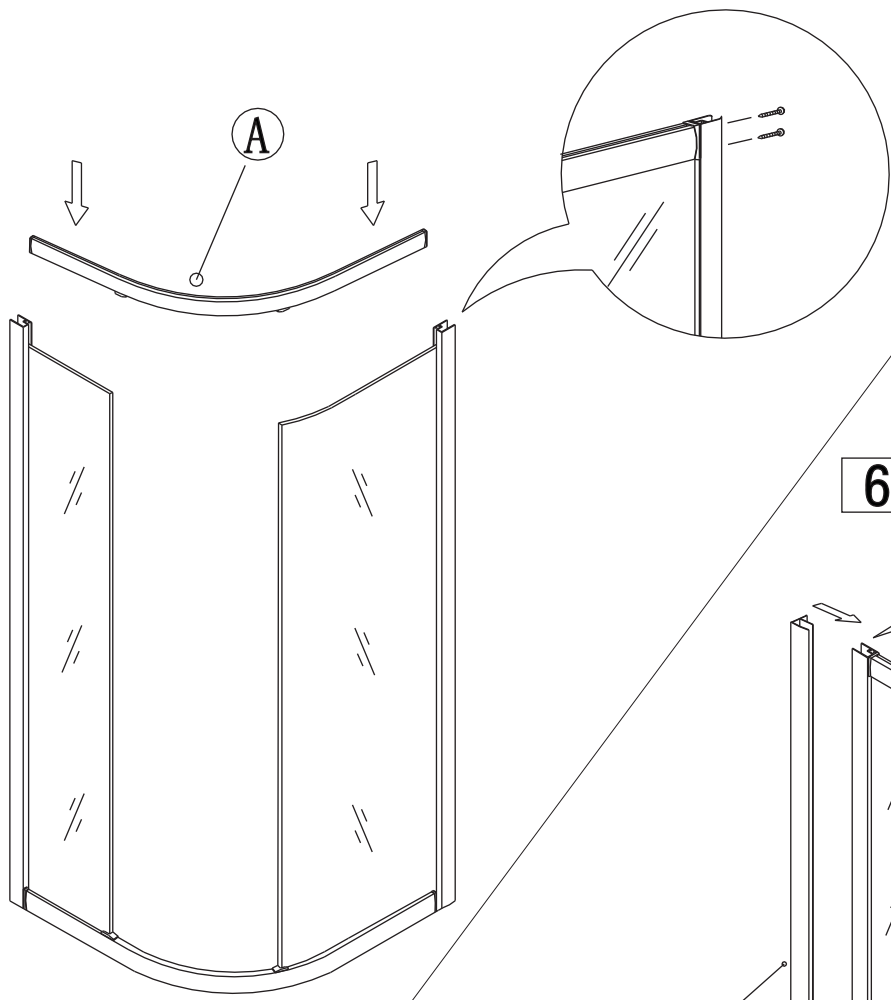


4

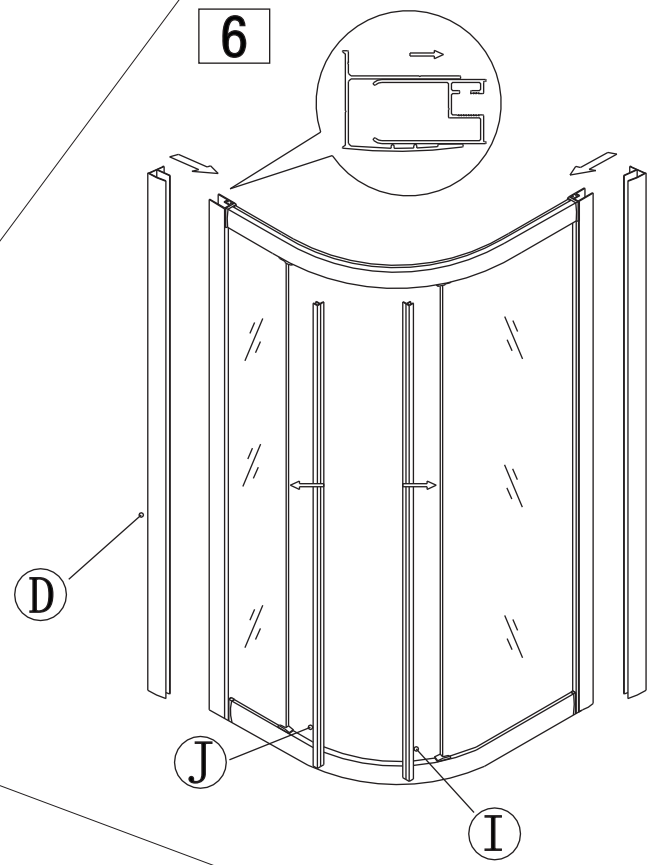


(1)

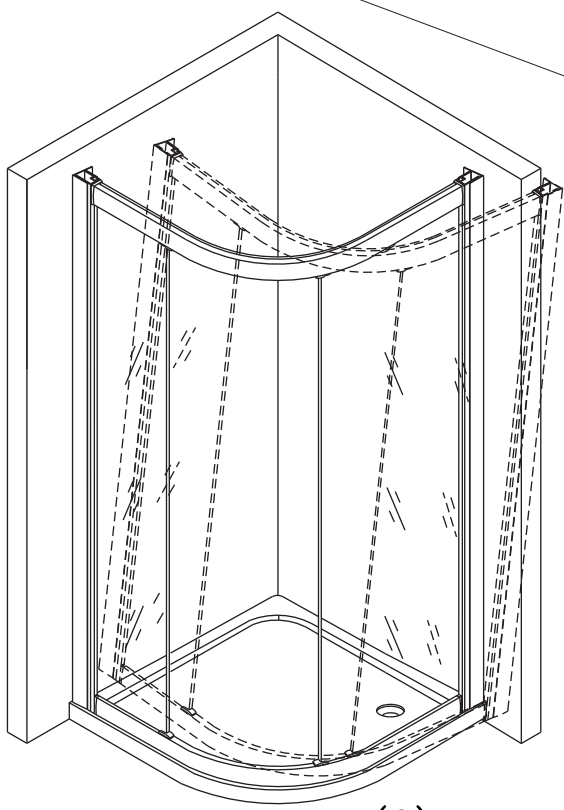
5



6

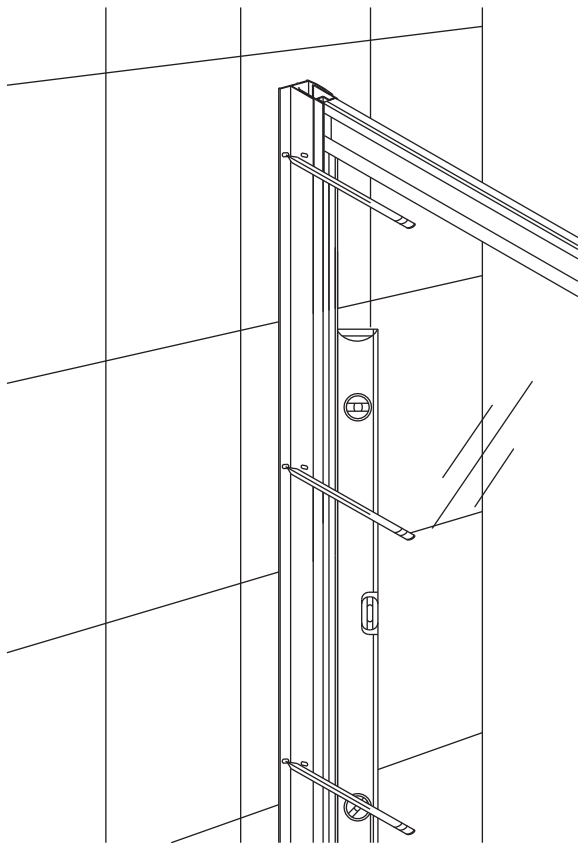


7

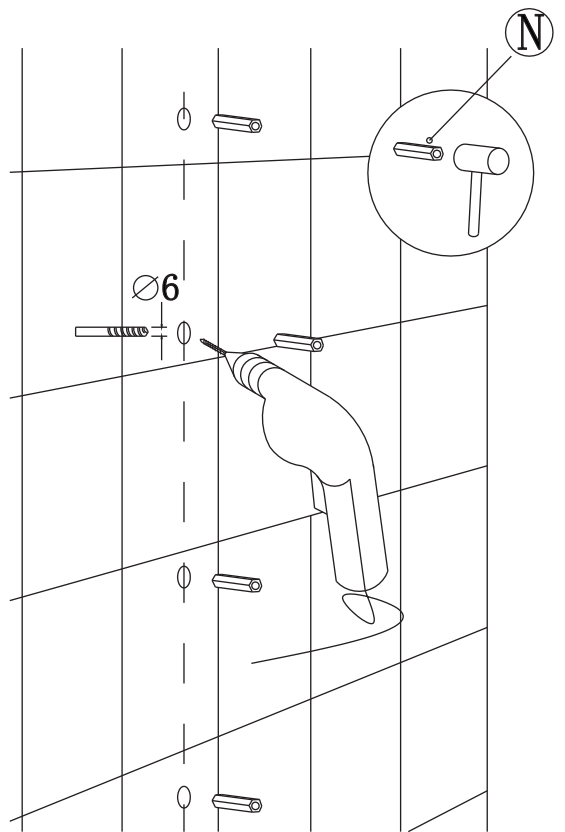


(2)

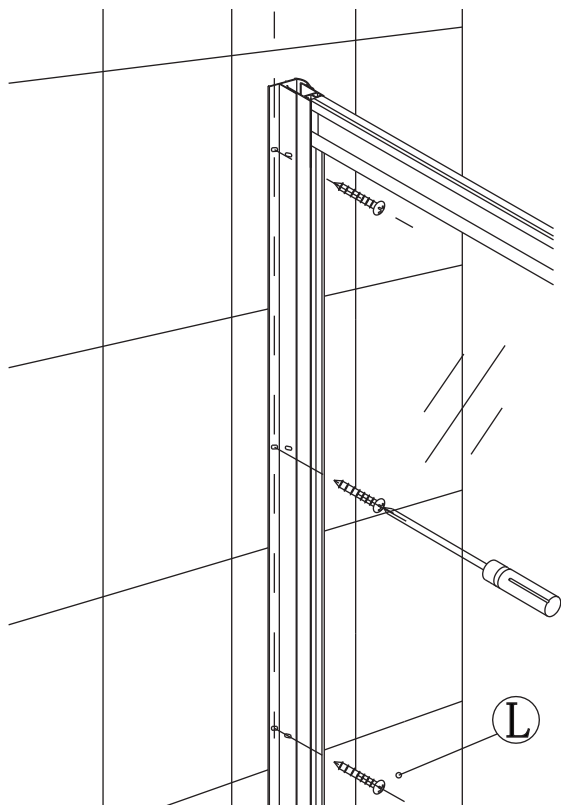
8



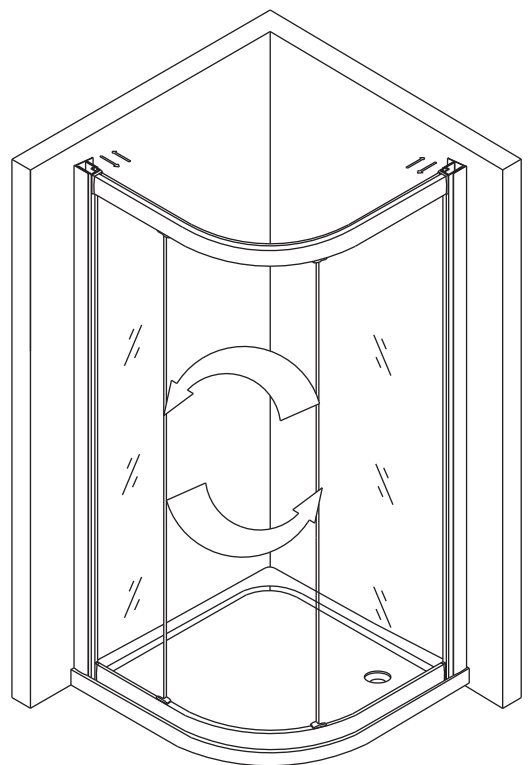
9



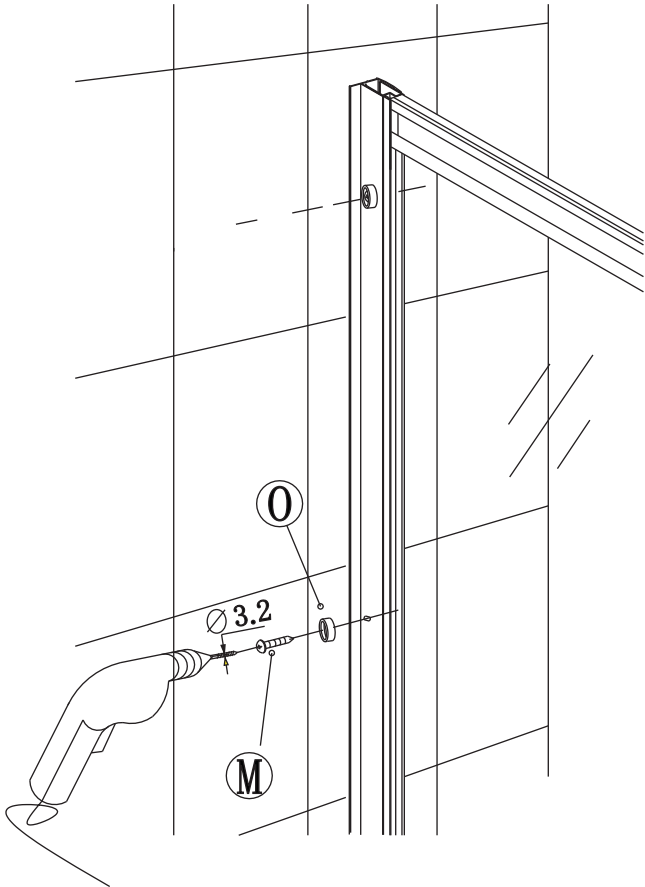
10



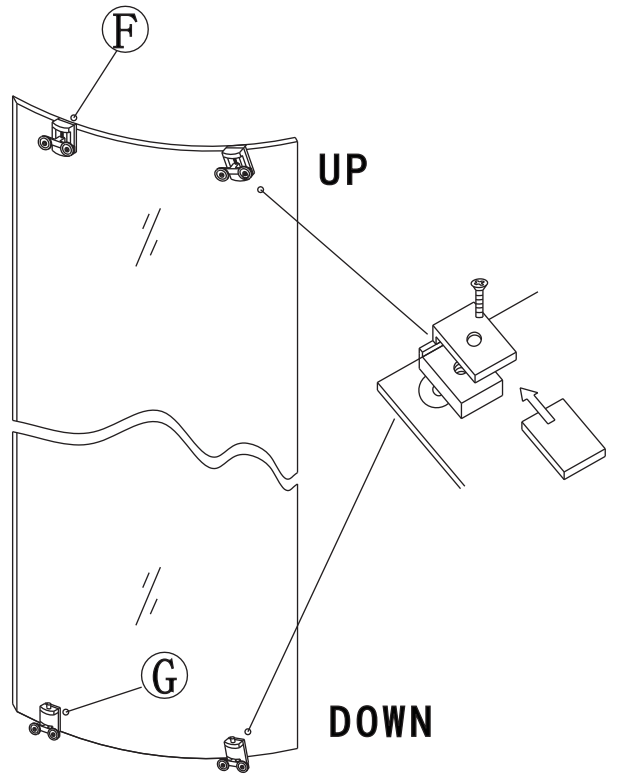
11



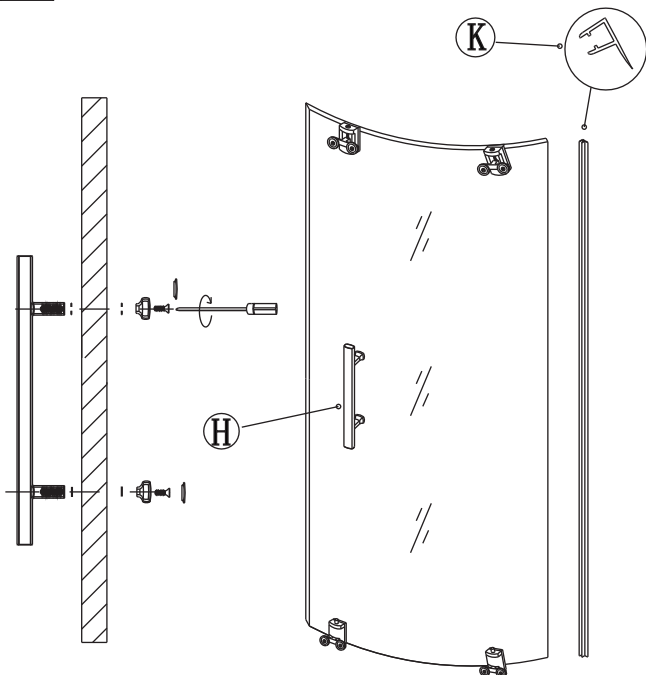
12



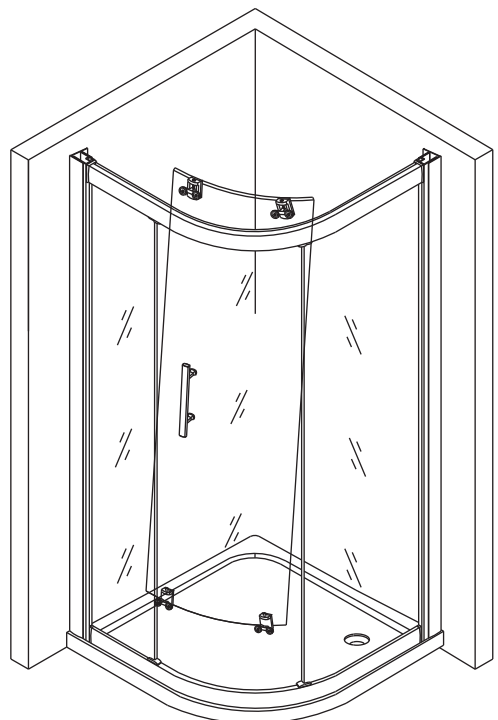
13



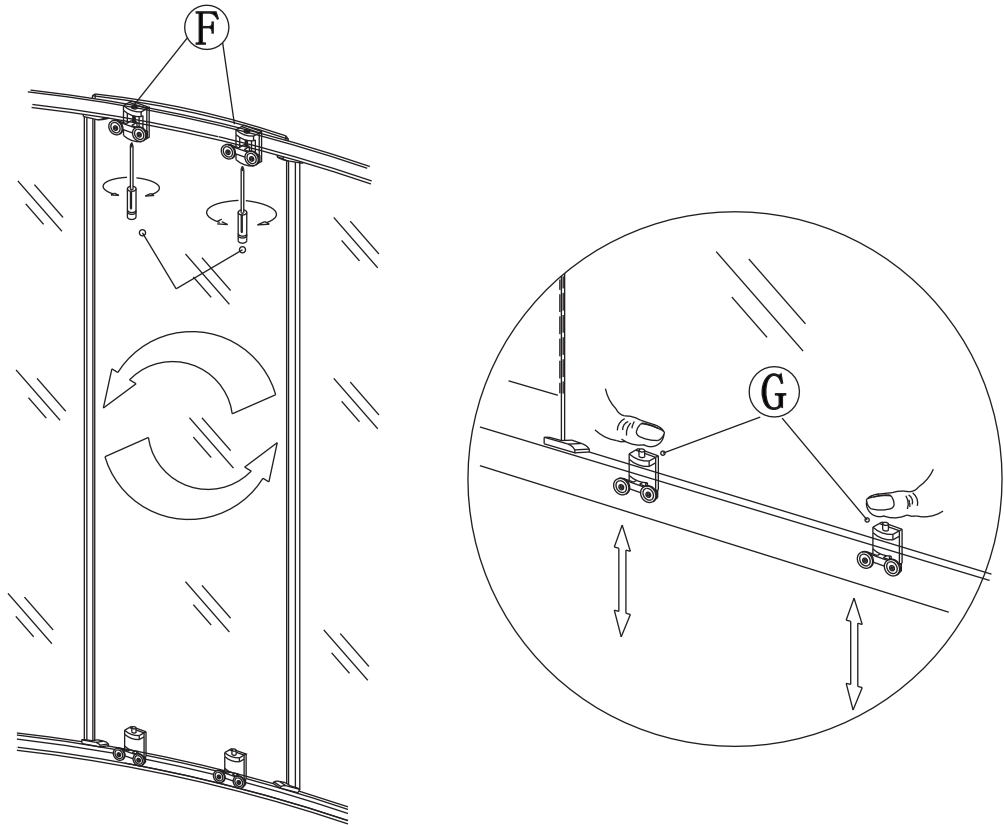
14



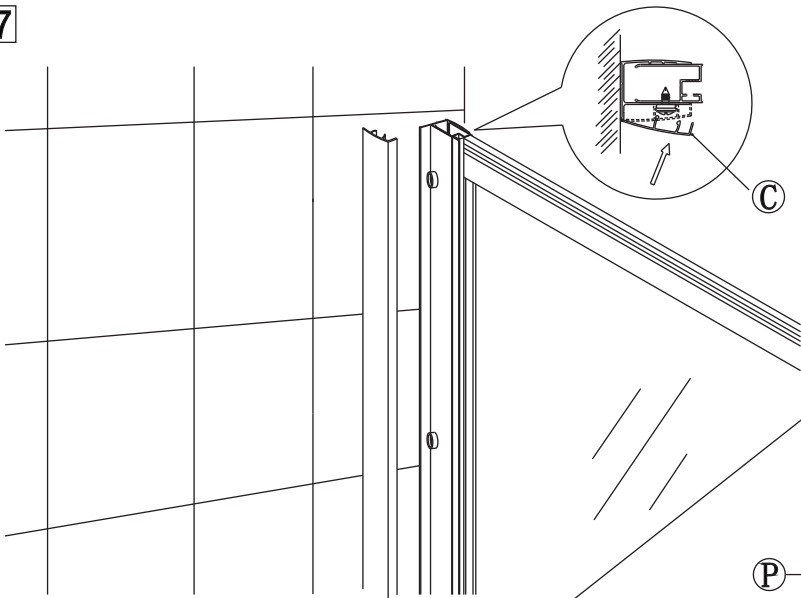
15



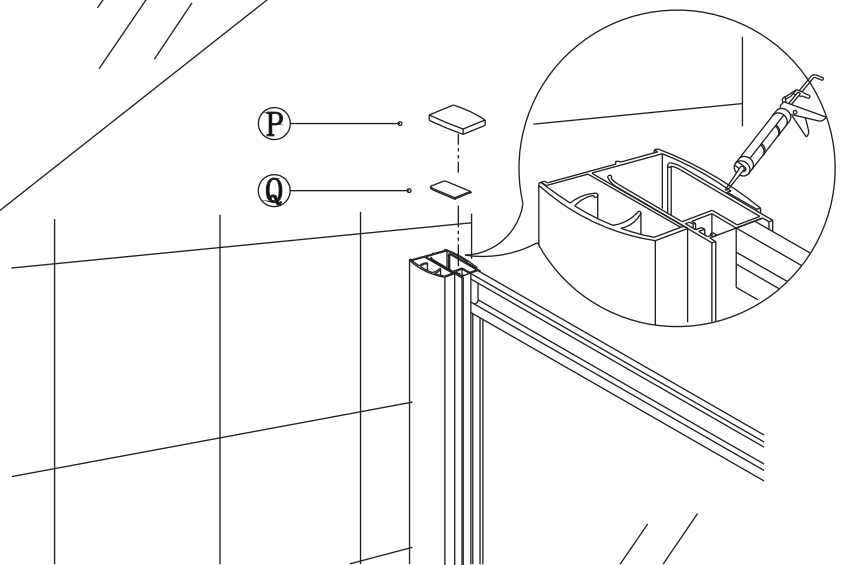
16



17



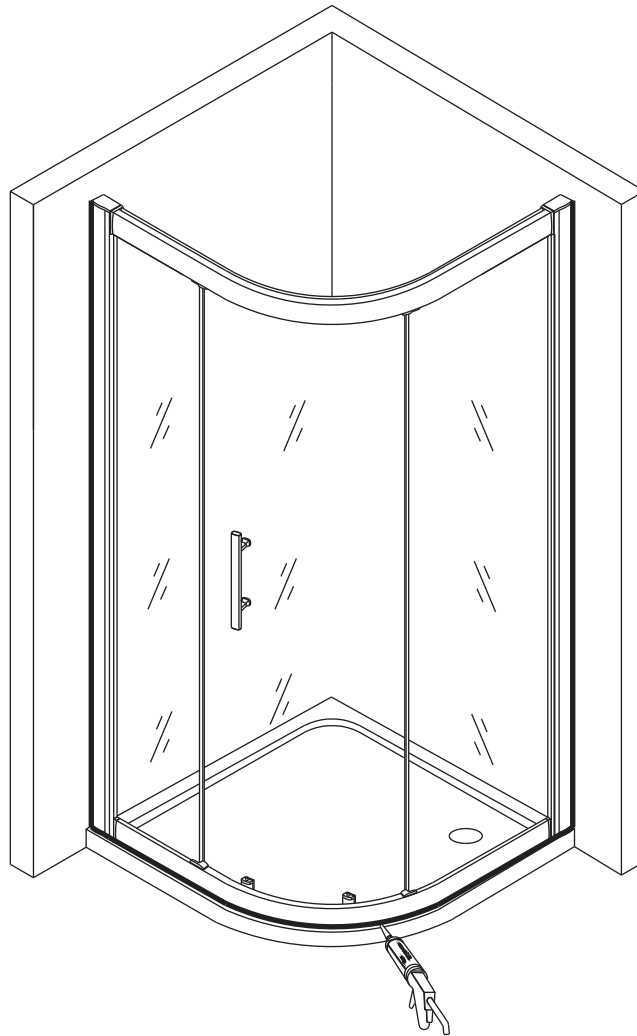
18



(5)



19



## **Cleaning & Maintenance**

Don't clean the shower enclosure with irritant detergent such as alcohol, bleach or other chemical cleaners.

Only clean with warm soapy water.

After the installation is completed, should you find that there is notable noise when the glass door moves, you may add a small quantity of lubricant onto the roller wheel, slipping hook and the track.

**Helpline: 01452 317890**

Please ensure silicone sealant is on the outside only.