

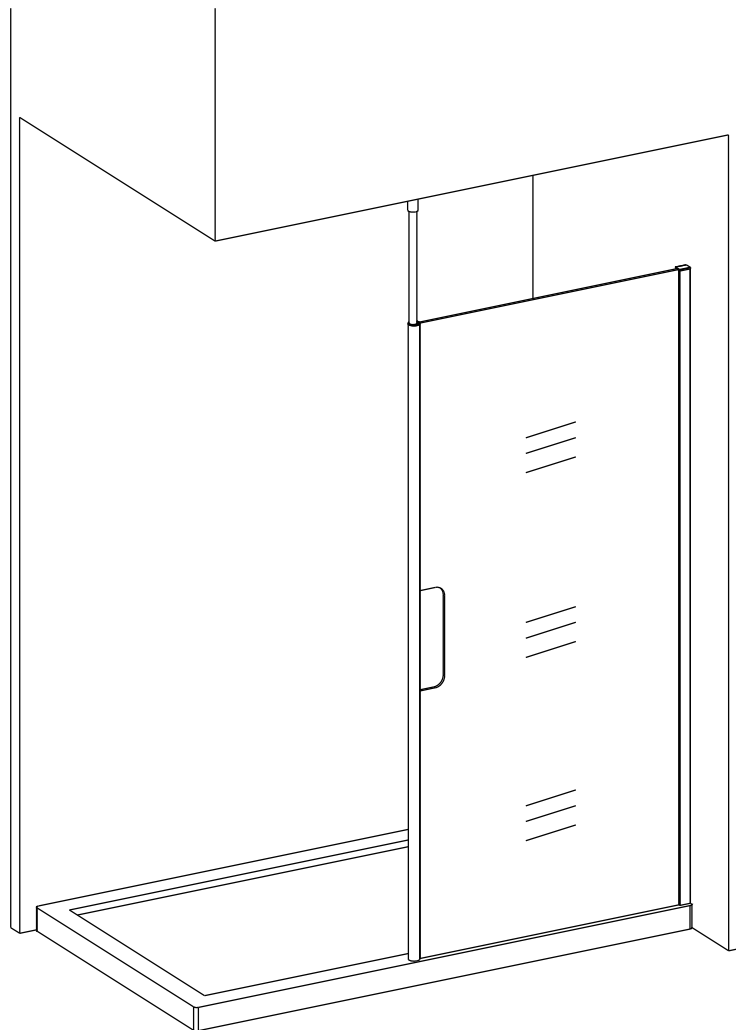
Eastbrook 

INSTALLATION MANUAL

VOLENTE SINGLE DOOR QUAD

Eastbrook Code	Adjustment
58.831	780-800
58.832	880-900
58.833	980-1000
58.834	1180-1200

This product should only be fitted by a fully qualified installer.

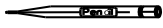


The product should be unpacked and checked for quality prior to install.

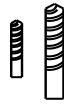
Any missing parts or damage must be reported to your supplier within 10 days of purchase and before installation

No claims can be enforced outside of these terms.

TOOLS REQUIRE



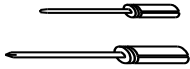
Pencil



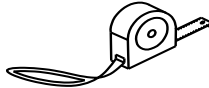
($\phi 6, \phi 3.2$) bit drill



Silicone gun



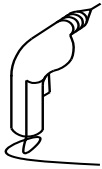
Flat and cross screwdriver



Tap measure



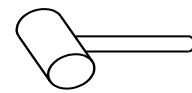
Level ruler



Drill machine

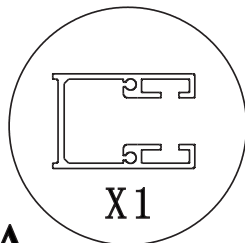


Spanner

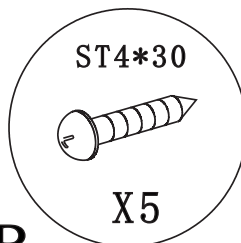


Rubber hammer

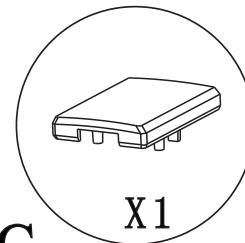
PACKING LIST



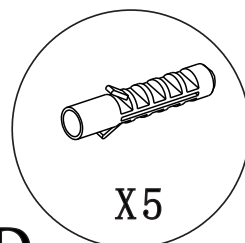
X1



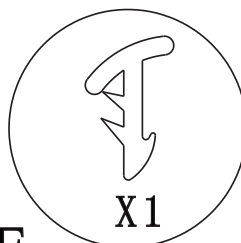
X5



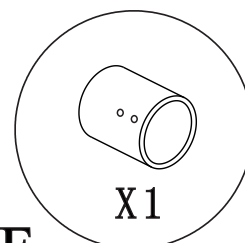
X1



X5



X1



X1

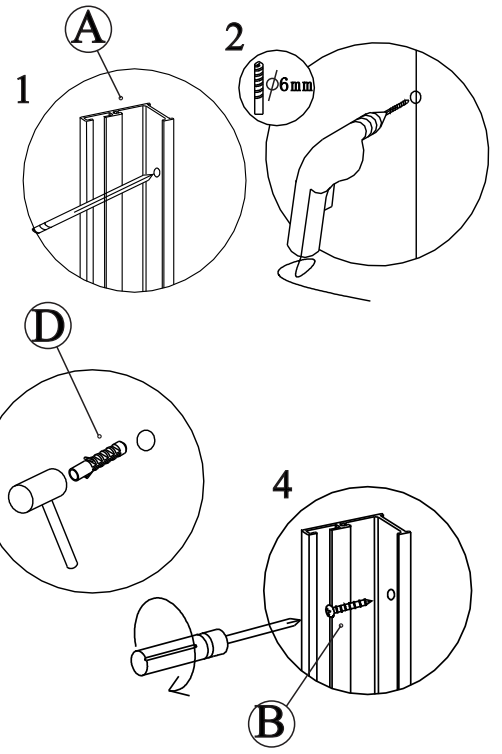
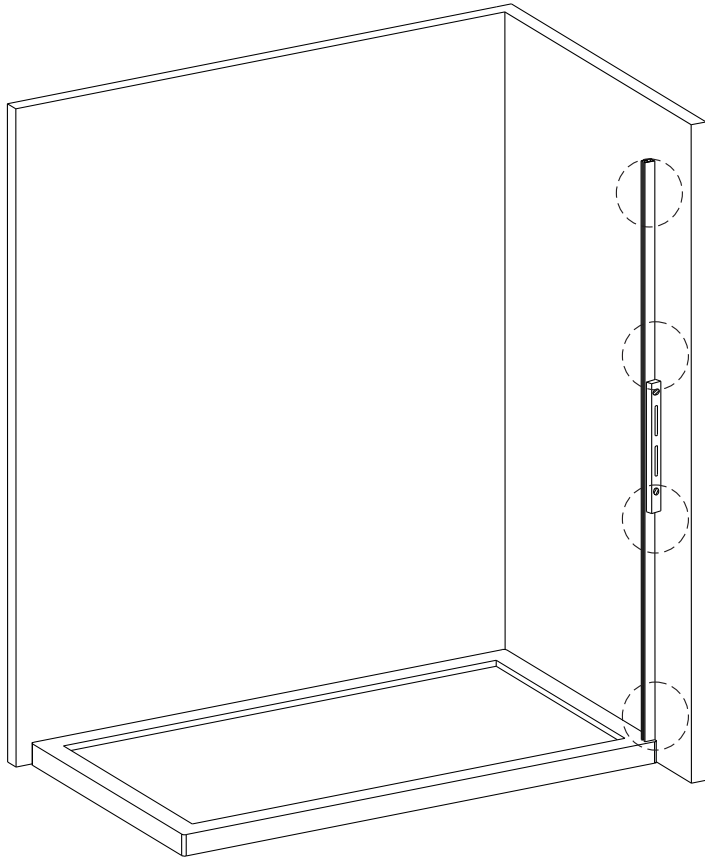
Please make the following checks before commencing installation:

- The product supplied is the required size and adjustment is compatible with the site situation
- Check all component parts are present; see packing list and product schematic diagram for reference.
- Make sure you have all the tools required.

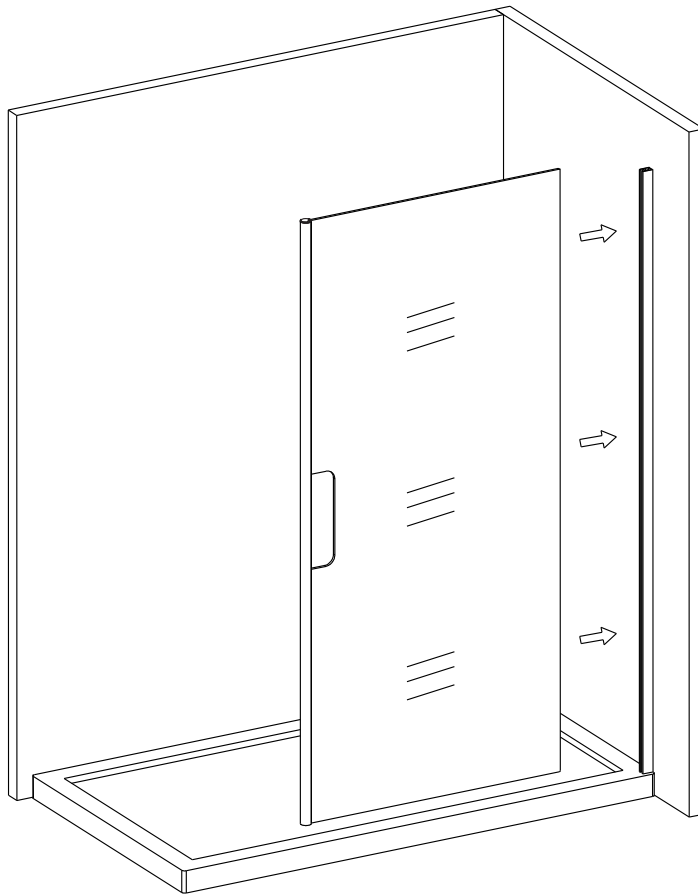
PRODUCT SCHEMATIC DIAGRAM



1

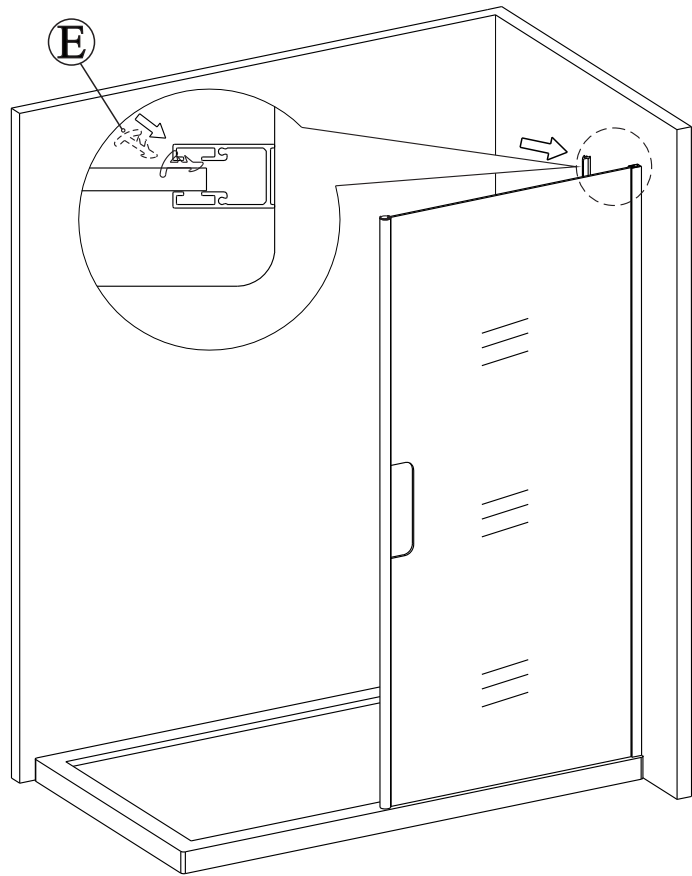


2

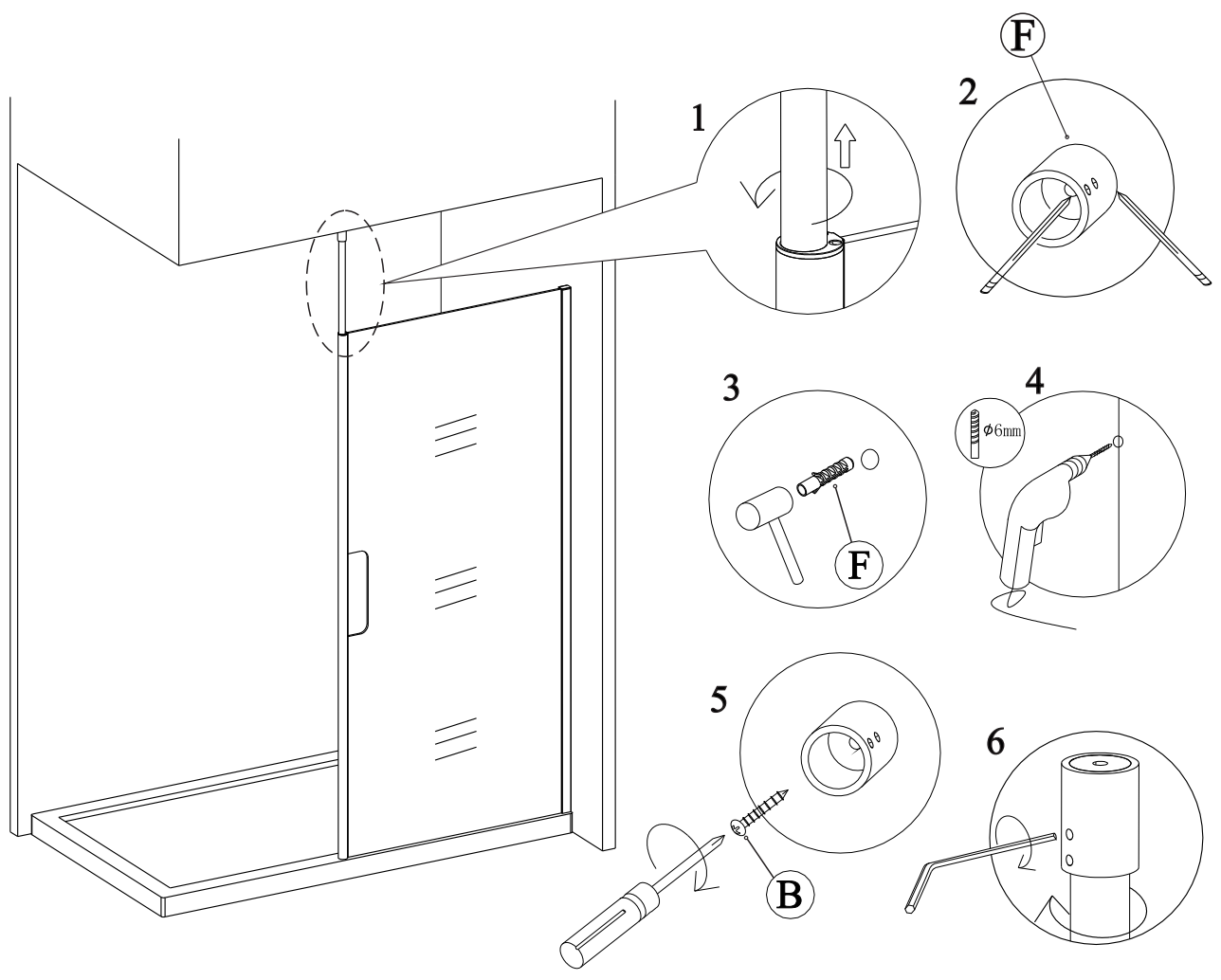


(3)

3

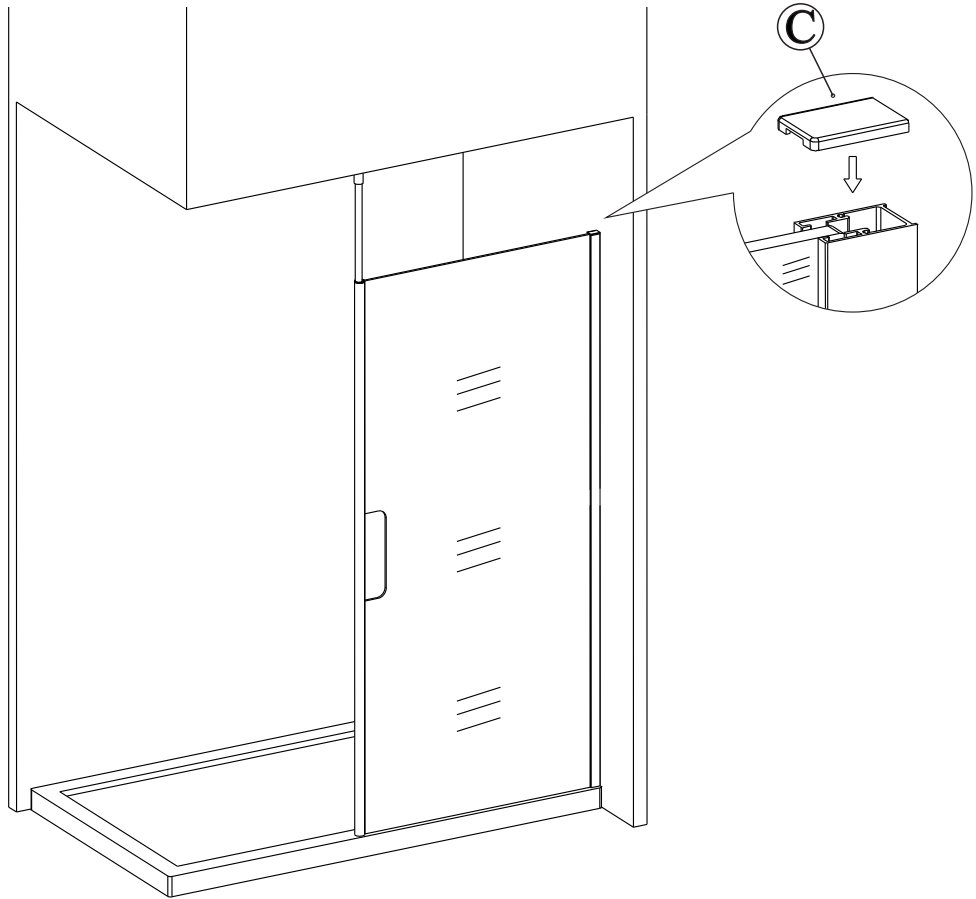


4

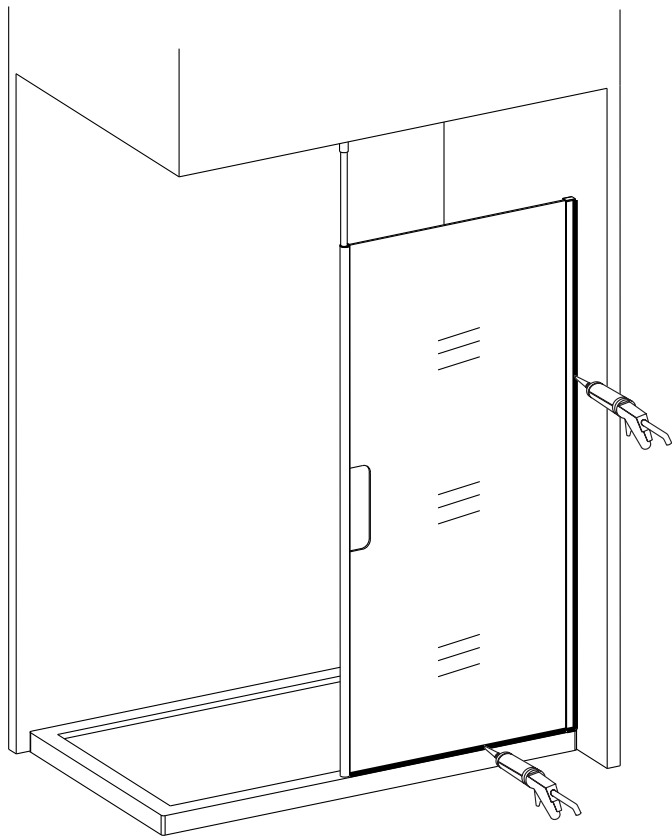


(4)

5



6



Please ensure silicone sealant is on the outside only.

(5)

Eastbrook

Eastbrook Road, Gloucester GL4 3DB
Technical Helpline: 01452 317890
email: technical@eastbrookco.com

Cleaning and Maintenance of Shower Enclosures

Do not clean the shower enclosure with irritant detergents such as alcohol, bleach or other chemical cleaners.

Only clean with mild soapy water or a proprietary cleaner where the label advises it is suitable for the materials the enclosure is constructed from, test on a small area first.

For treating limescale we would recommend distilled vinegar in a half and half solution with water.

Following installation should you find that there is a notable noise when the glass door moves you may add a small amount of silicone lubricant onto the roller wheels and tracks, hinges or clips.

It is the responsibility of the product owner to maintain the product as recommended above. Also to check for parts which have broken or become loose to protect against failure of the enclosure.