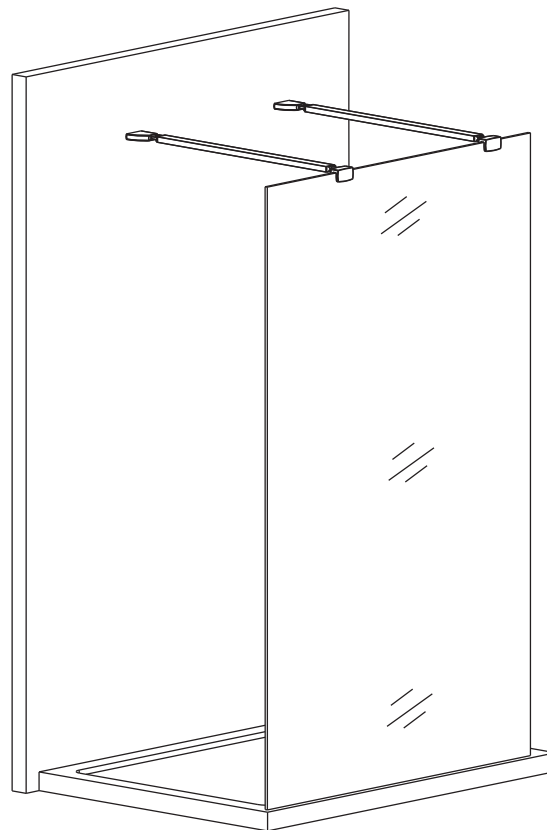


INSTALLATION MANUAL

VOLENTE WALK IN FRONT PANEL/END PANEL

Eastbrook Code	Adjustment	Eastbrook Code	Adjustment
58.359	860	58.360	960
58.361	1060	58.362	1160

This product should only be fitted by a fully qualified installer.



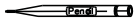
This product must be unpacked and checked for quality prior to installation.

Any missing parts or damage must be reported to your supplier within 10 days of purchase and before installation.

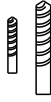
No claims can be enforced outside of these items.



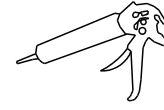
TOOLS REQUIRED



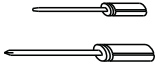
Pencil



($\varnothing 6.3$. 2) Drill bit



Silicone gun



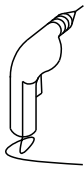
Flat and cross
screwdriver



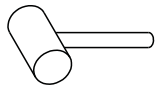
Tape measure



Spirit level

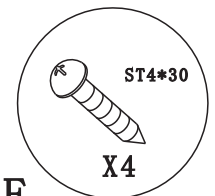
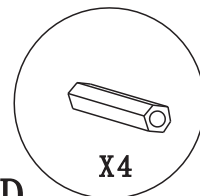
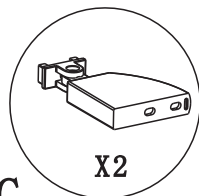
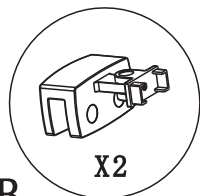
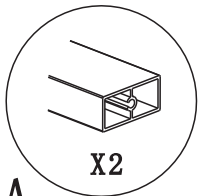


Electric drill



Rubber hammer

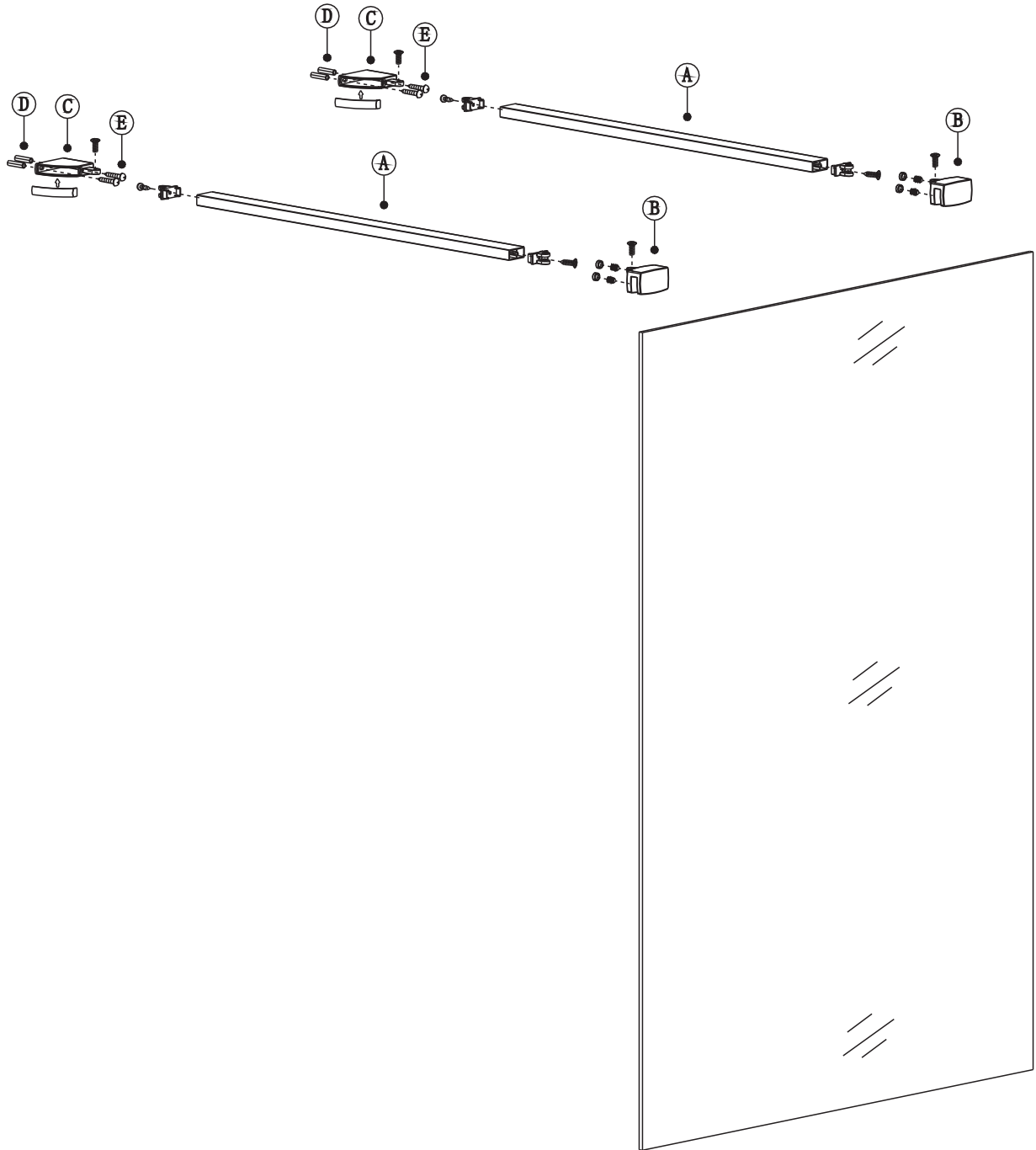
LIST OF SPARE PARTS



Please make the following checks before connecting the installation:

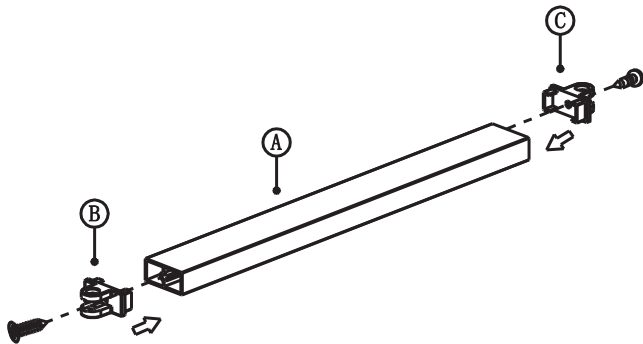
- The product supplied is the required size and the adjustment is compatible with the site situation.
- Check all component parts are present, see packing list and product schematic diagram for reference.
- Make sure you have all the required tools.

PRODUCT SCHEMATIC DIAGRAM



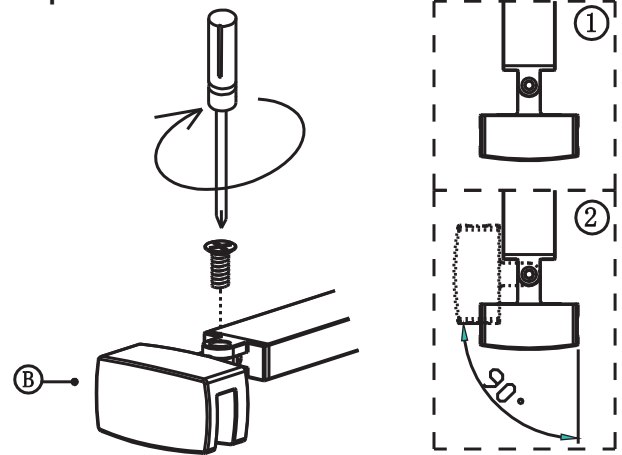
1

Cut bars **A** to required length. Fix part **B** and **C** into end and secure with screws provided.

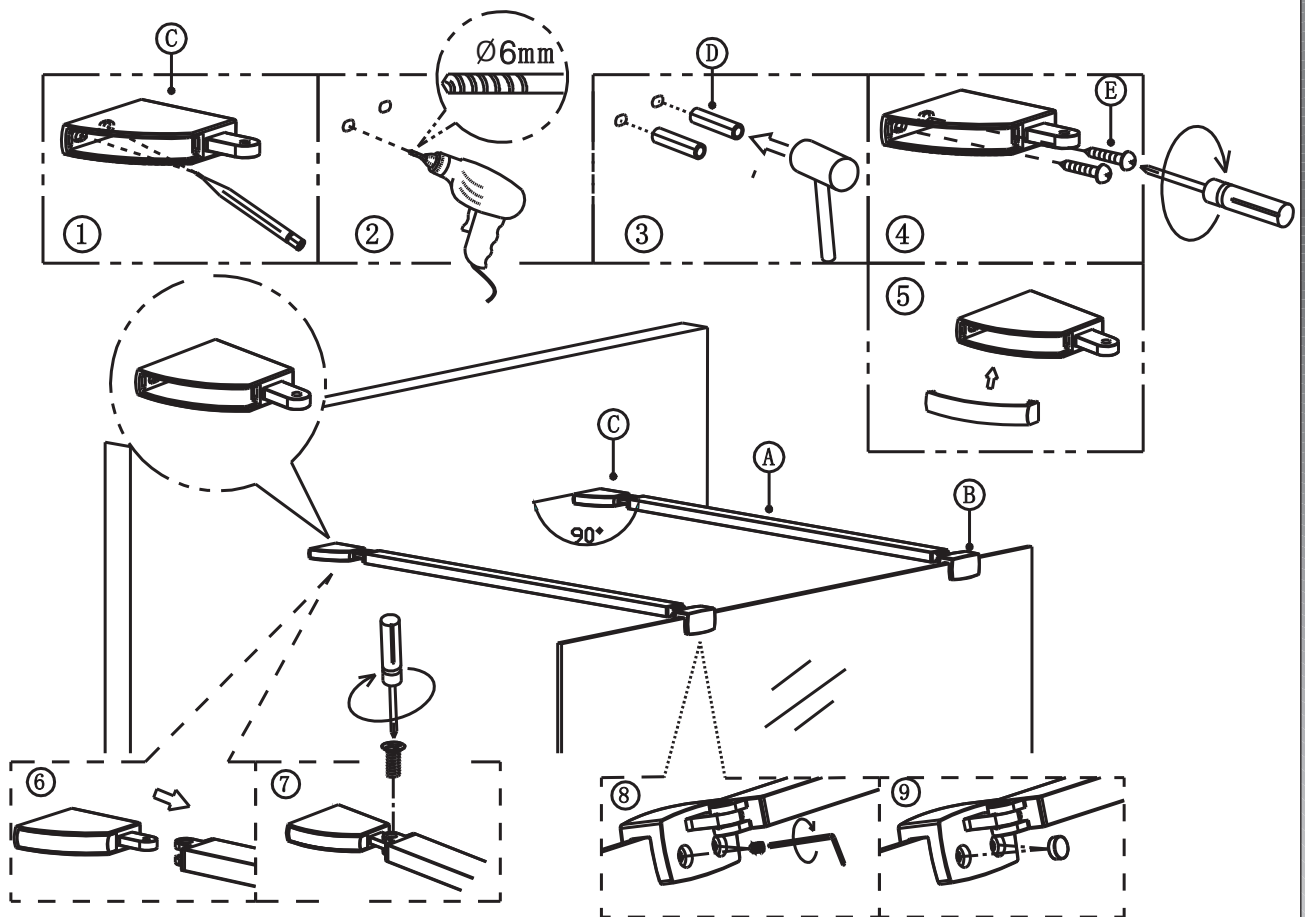


2

Attach glass clamp **B** to end of bars **C** and secure with screw provided.



3

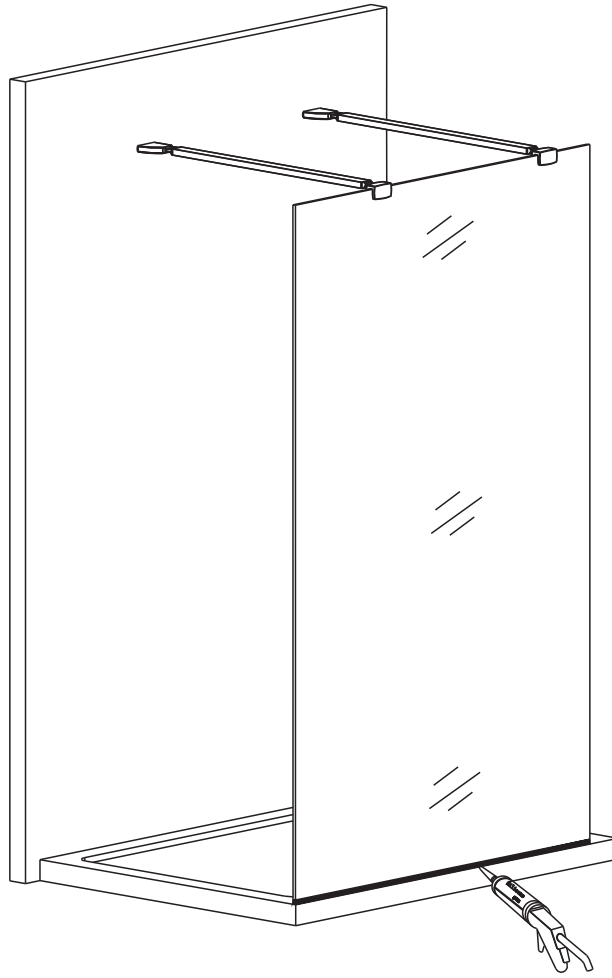


Attach support bar wall brackets **C** in positions required with ST4*30 **E** screws. Substitute wall plugs **D** with bars attached to glass panel in chosen position. Lift panel onto way and connect bars **A** to wall brackets **C** and secure with screws provided.

Ensure all screws are secured correctly.

(3)

4



Silicone as illustrated ensuring silicone sealant is on the outside only.

Cleaning & Maintenance

Don't clean the shower enclosure with irritant detergent such as alcohol, bleach or other chemical cleaners.

Only clean with warm soapy water .

Helpline:01452 317890