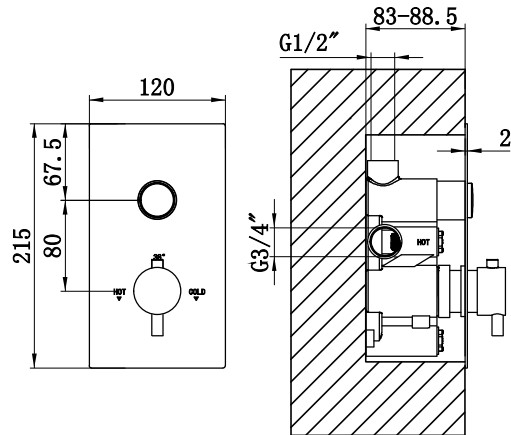
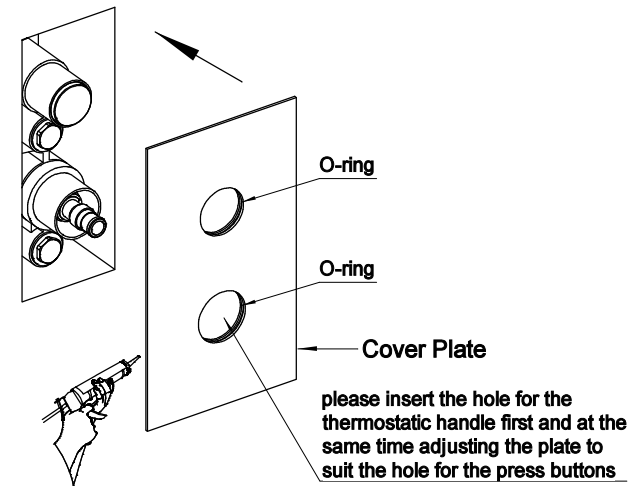


Notice



Step 1: recommended installation depth for the concealed valve body.



Step 2: Before installing the cover plate to the wall please lubricate the Orings with silicone grease (or similar) to prevent scratching during fitting. Then apply clear silicone sealant around the back edge of the cover plate and carefully press into the position (please insert the hole for the thermostatic handle first and at the same time adjusting the plate to suit the hole for the press buttons).