

## DATASHEET

### Image



### General Information

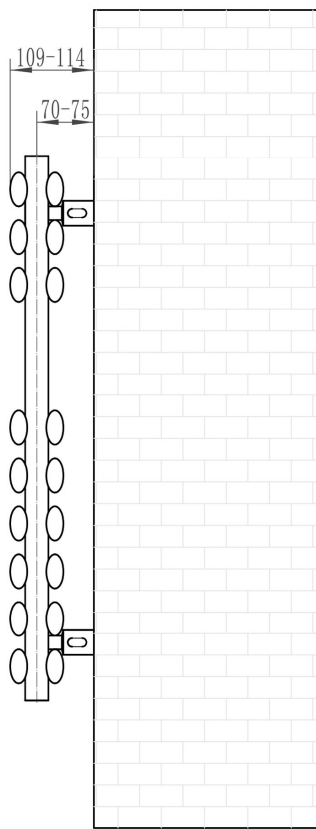
Product:	81.0180
Description:	Tunstall Double 800 x 500 Towel Rail
Website Link:	<a href="#">(Click Here)</a>
Product Type:	Towel Rail
Brand:	Eastbrook Company
Colour:	Matt Black
Material:	Mild Steel
Height (mm):	800mm
Width (mm):	500mm
Net Weight (kg):	17.4kg
Product Range:	Tunstall Double

### Product Specifications

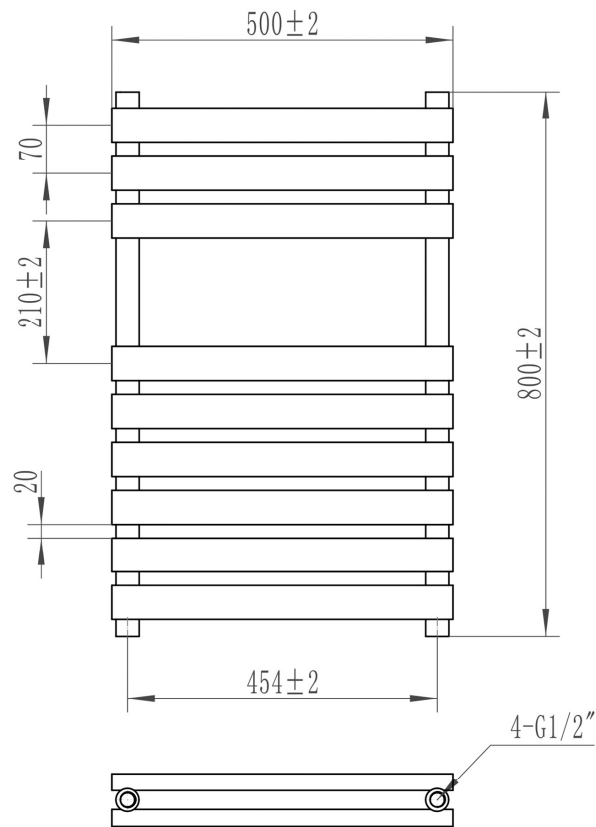
Warranty:	5 Year(s)
Supplied with fixings:	Yes
BTU $\Delta T50^{\circ}\text{C}$ :	1821
BTU $\Delta T60^{\circ}\text{C}$ :	2292
Watts $\Delta T50^{\circ}\text{C}$ :	534
Watts $\Delta T60^{\circ}\text{C}$ :	672

## Drawing

### Tunstall Double Towel Rail 800 x 500mm. Technical Drawing



Tappings off wall : 70-75mm.



**Eastbrook**   
Eastbrook Road, Gloucester GL4 3DB  
Technical Helpline : 01452 317890  
Mon - Fri / 8am - 5pm  
Email : [technical@eastbrookco.com](mailto:technical@eastbrookco.com)