

## DATASHEET

### Image



### General Information

Product:	41.0893
Description:	Imperia 2 Column Radiator 300 x 1010mm
Product Type:	Radiator
Brand:	Eastbrook Company
Colour:	Gloss White
Material:	Mild Steel
Height (mm):	300mm
Width (mm):	1010mm
Net Weight (kg):	13.05kg
Product Range:	Imperia

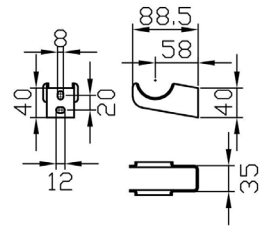
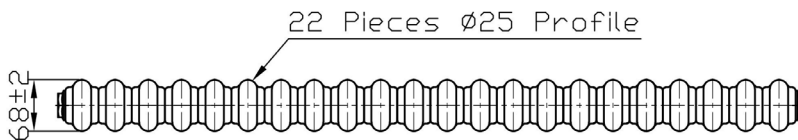
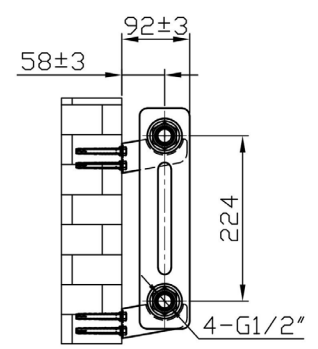
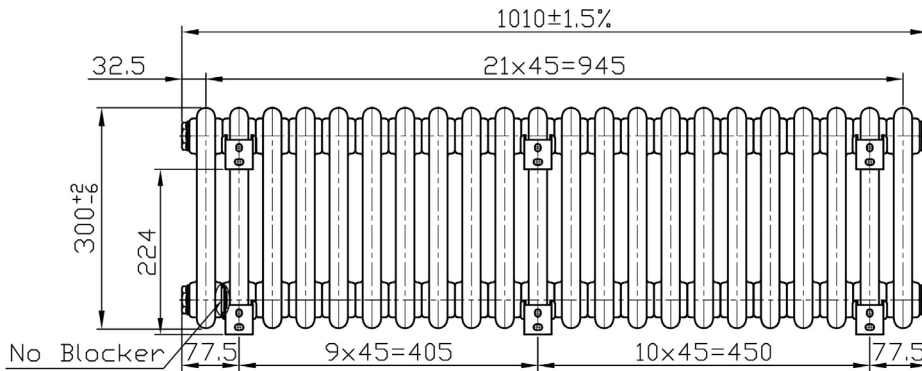
### Product Specifications

Warranty:	5 Year(s)
Finish:	Gloss
BTU $\Delta T50^{\circ}\text{C}$ :	1801
BTU $\Delta T60^{\circ}\text{C}$ :	2282
Watts $\Delta T50^{\circ}\text{C}$ :	528
Watts $\Delta T60^{\circ}\text{C}$ :	669

## Drawing

### Imperia 2 Column Horizontal 300 x 1010mm. Painted Technical Drawing

Unit: mm



**Eastbrook**   
Eastbrook Road, Gloucester GL4 3DB  
Technical Helpline : 01452 317890  
Mon - Fri / 8am - 5pm  
Email : [technical@eastbrookco.com](mailto:technical@eastbrookco.com)