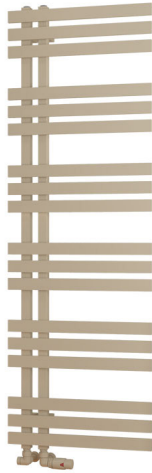


## DATASHEET

### Image



### General Information

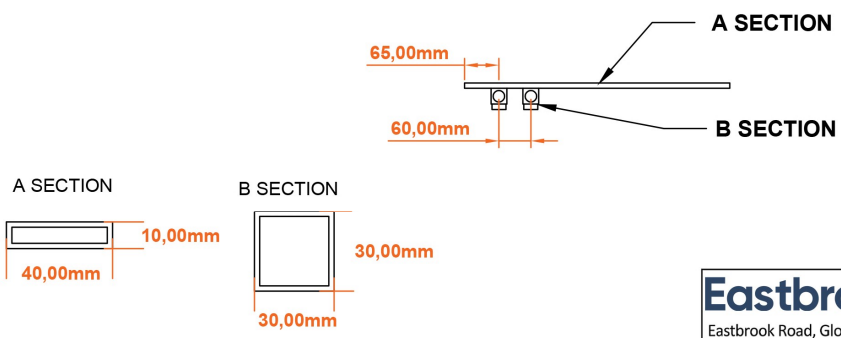
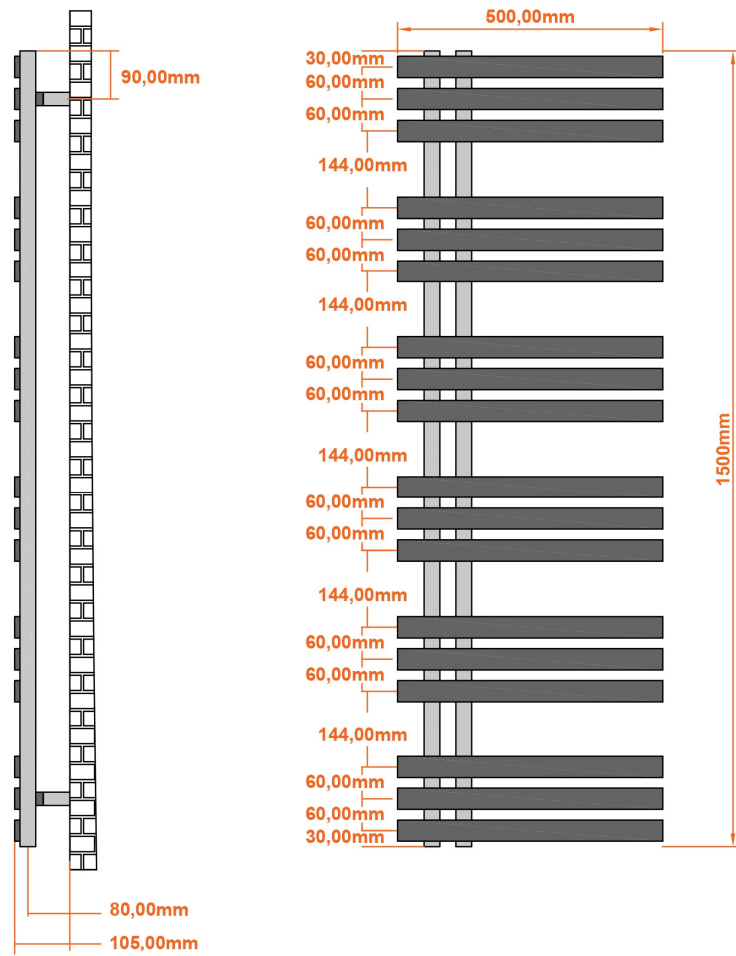
Product:	89.1733
Description:	Hurley 1500 x 500 Towel Rail
Website Link:	<a href="#">(Click Here)</a>
Product Type:	Towel Rail
Brand:	Eastbrook Company
Colour:	Matt Cappuccino
Material:	Mild Steel
Height (mm):	1500mm
Width (mm):	500mm
Net Weight (kg):	14.3kg
Product Range:	Hurley

### Product Specifications

Warranty:	5 Year(s)
Supplied with fixings:	Yes
Orientation:	Vertical
BTU $\Delta T50^{\circ}\text{C}$ :	1823
BTU $\Delta T60^{\circ}\text{C}$ :	2334
Watts $\Delta T50^{\circ}\text{C}$ :	535
Watts $\Delta T60^{\circ}\text{C}$ :	684

## Drawing

### Hurley 1500 x 500mm. Technical Drawing



**Eastbrook**   
Eastbrook Road, Gloucester GL4 3DB  
Technical Helpline : 01452 317890  
Mon - Fri / 8am - 5pm  
Email : technical@eastbrookco.com