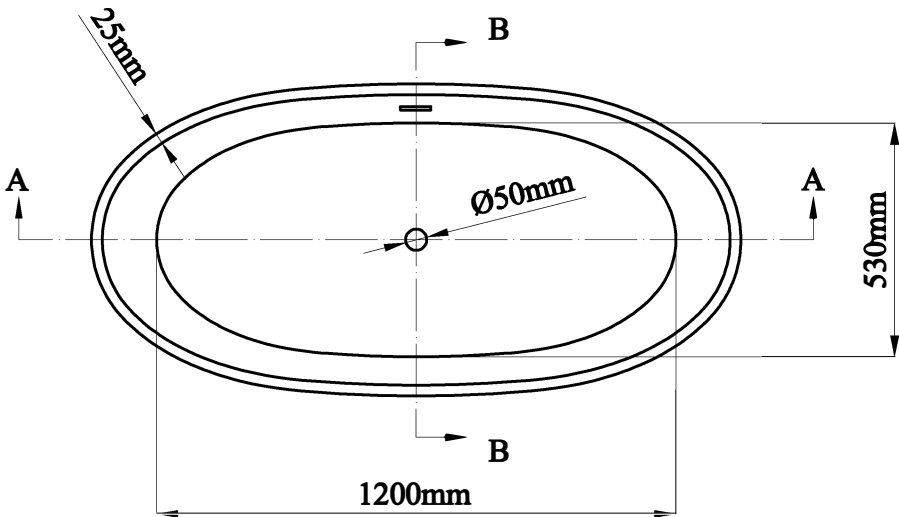
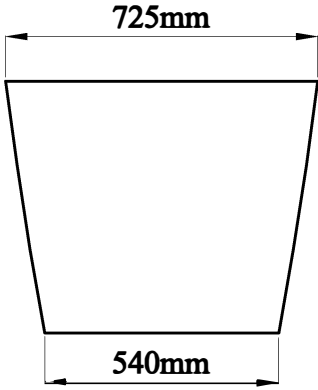
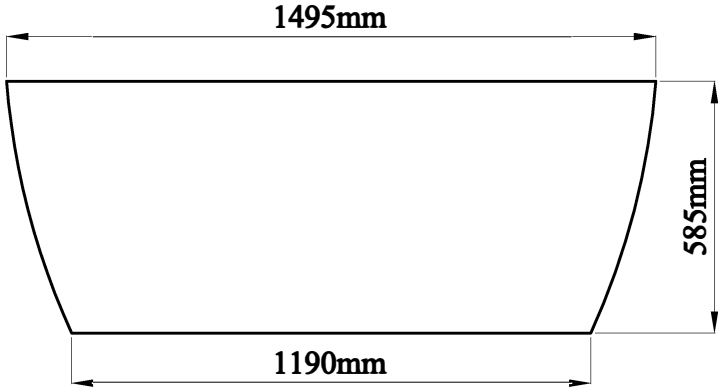


Item No.:33.0058

Measurement:1495×725×585 mm



SECTION A-A

SECTION B-B

