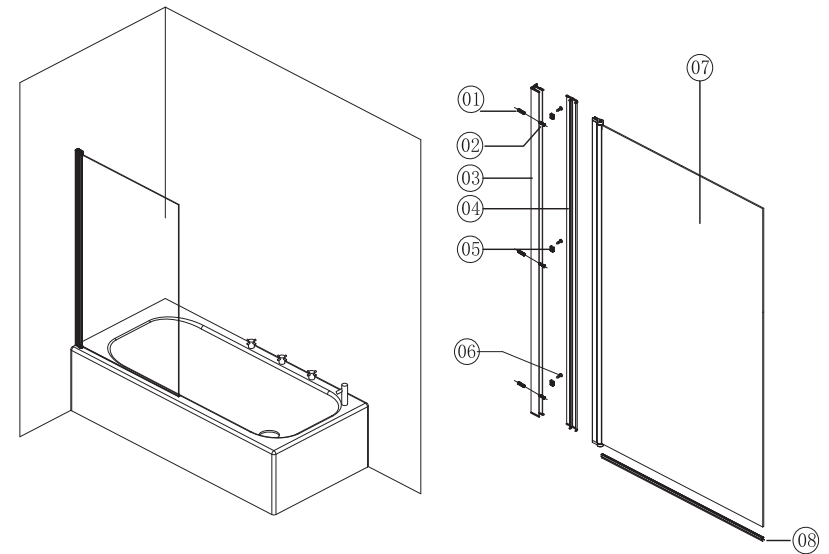
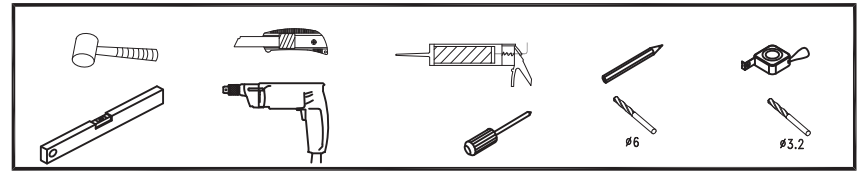




RBS6A11-Matt black



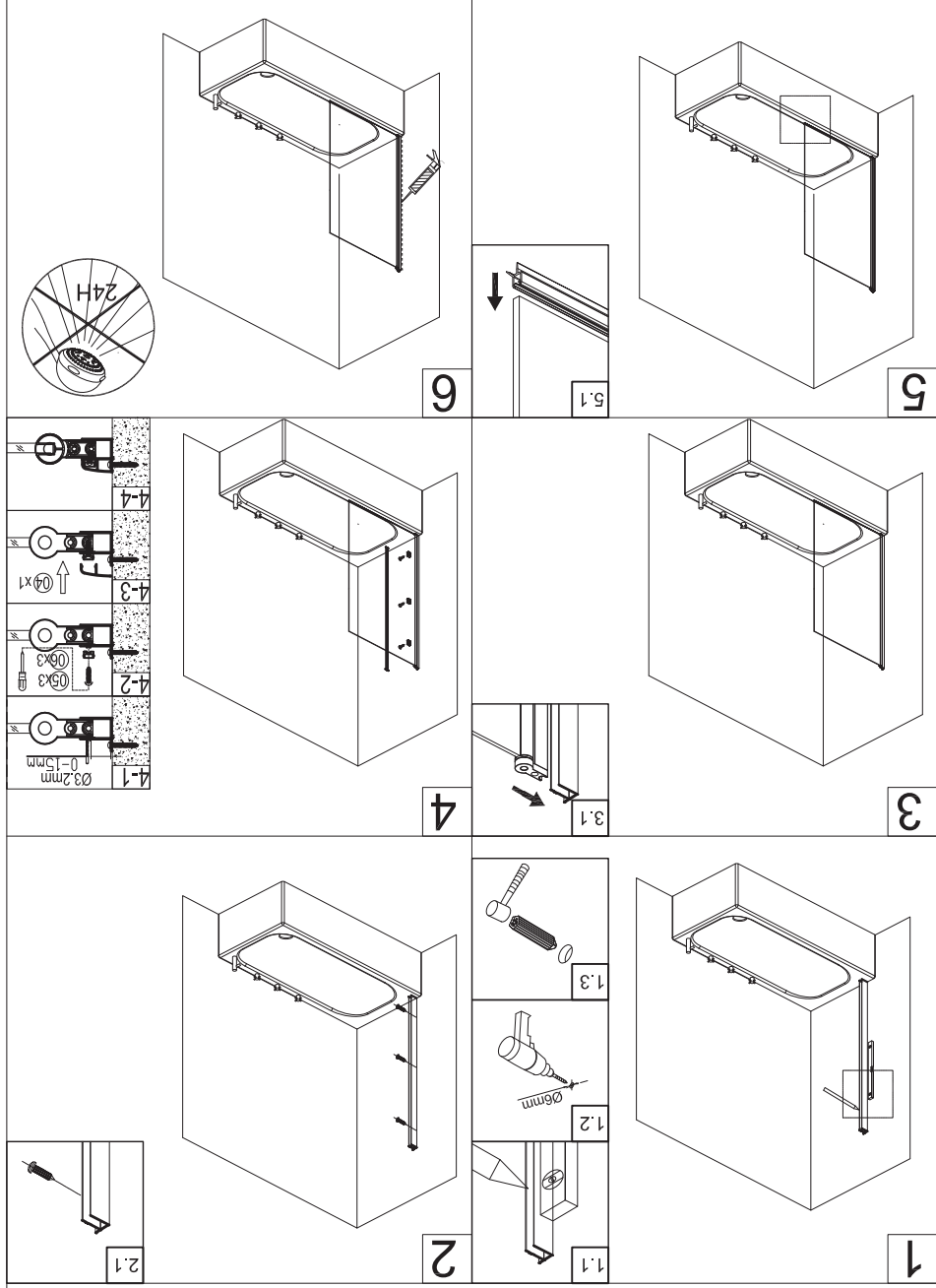
Eastbrook Road, Gloucester G14 3DB
 Technical Helpline: 01452 317890
 email: technical@eastbrookco.com



Parts List

 3PCS	 3PCS ST4#30	 1PCS BRBS-51W01	 1PCS BRBS-51W02	 1PCS RF-6Y01	 3PCS	 1PCS ST4#12	 3PCS BRBS-51Z01	 1PCS
---	--	--	--	---	---	--	--	---

RBS6A11-Matt black



Eastbrook Road, Gloucester GL4 3DB
 Technical Helpline: 01452 317890
 Email: technical@eastbrookco.com

Cleaning and Maintenance of Shower Enclosures

Do not clean the shower enclosure with irritant detergents such as alcohol, bleach or other chemical cleaners.

Only clean with mild soapy water or a proprietary cleaner where the label advises it is suitable for the materials the enclosure is constructed from. Test on a small area first.

For treating limescale we would recommend distilled vinegar in a half and half solution with water.

Following installation should you find that there is a notable noise when the glass door moves you may add a small amount of silicon lubricant onto the roller wheels and tracks, hinges or clips.

It is the responsibility of the product owner to maintain the product as recommended above. Also, to check for parts which have broken or become loose to protect against failure of the enclosure.