

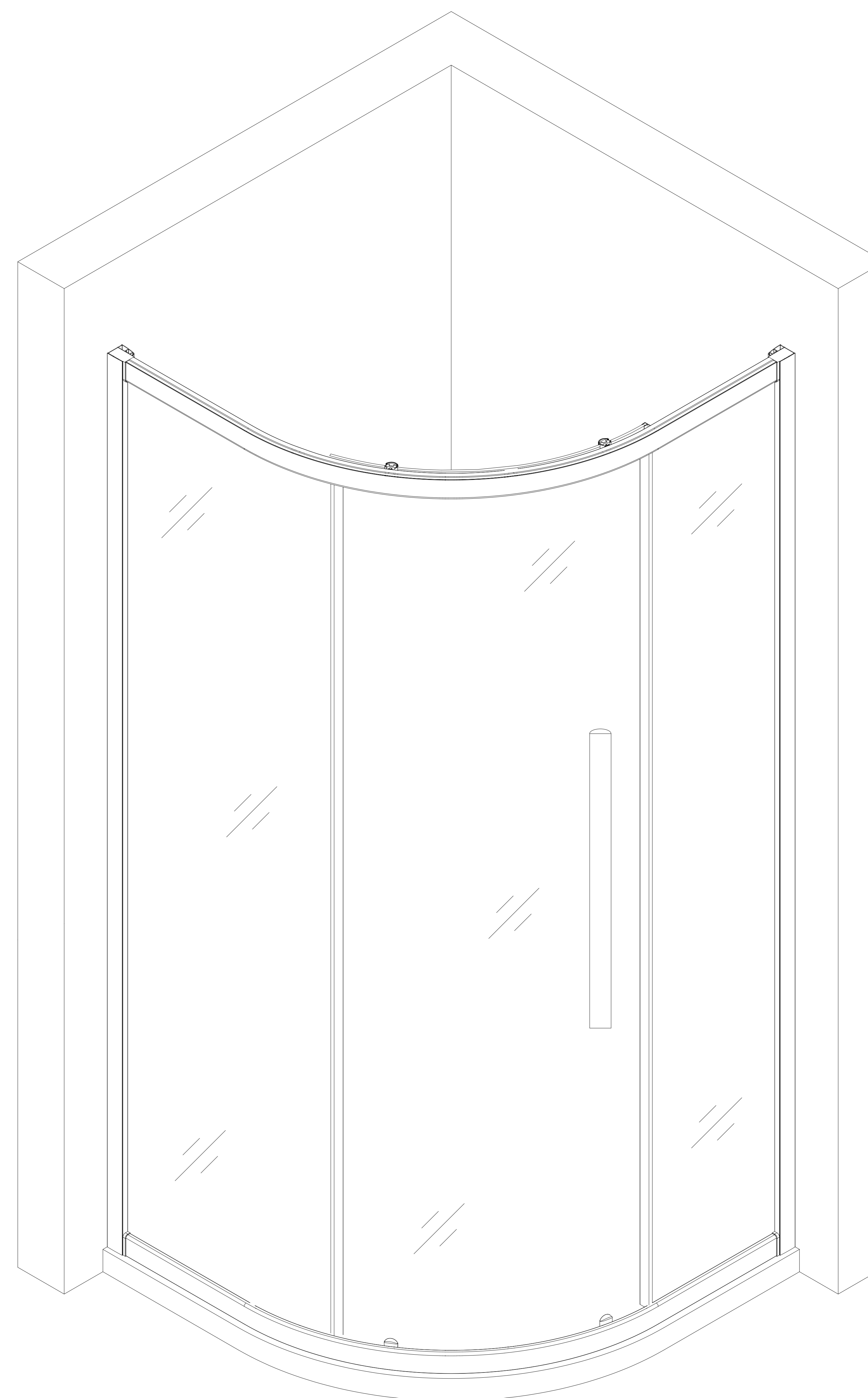
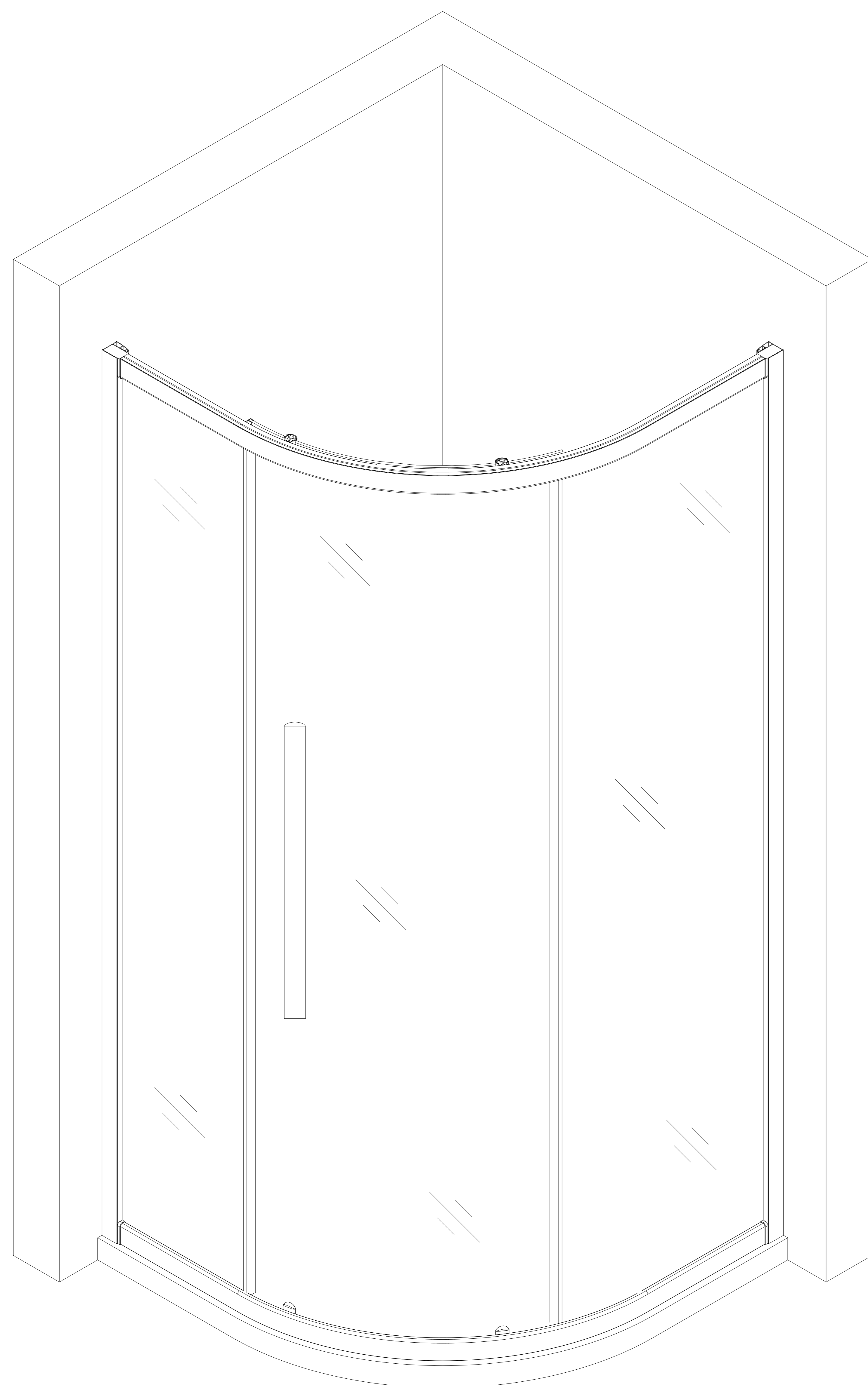
49. 0056/49. 0058/49. 0060/49. 0062/49. 0064/49. 0066/
49. 0068/49. 0070/49. 0072/49. 0074/49. 0076/49. 0078/
49. 0080/49. 0082/49. 0084/49. 0086/49. 0088/49. 0090

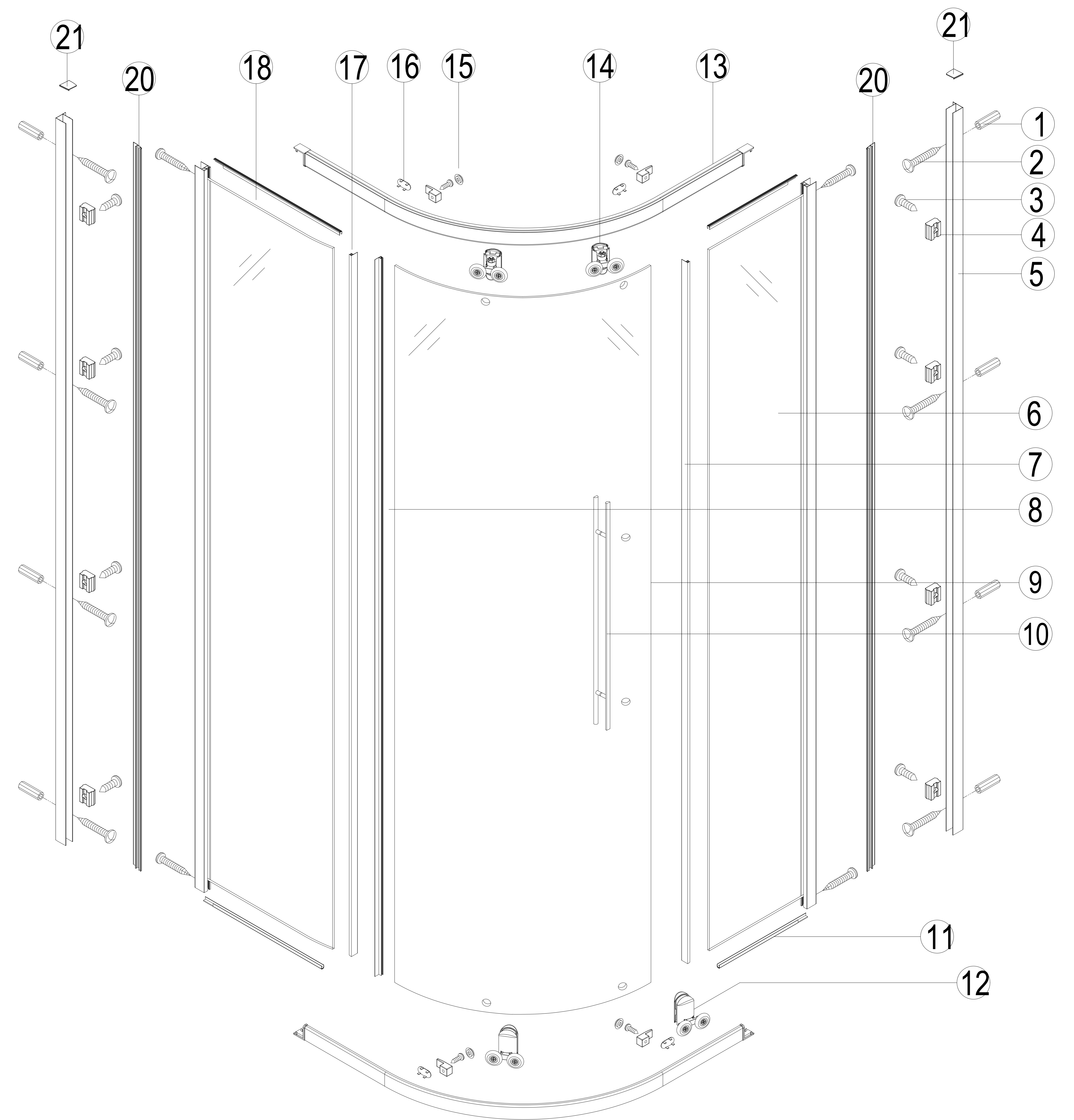
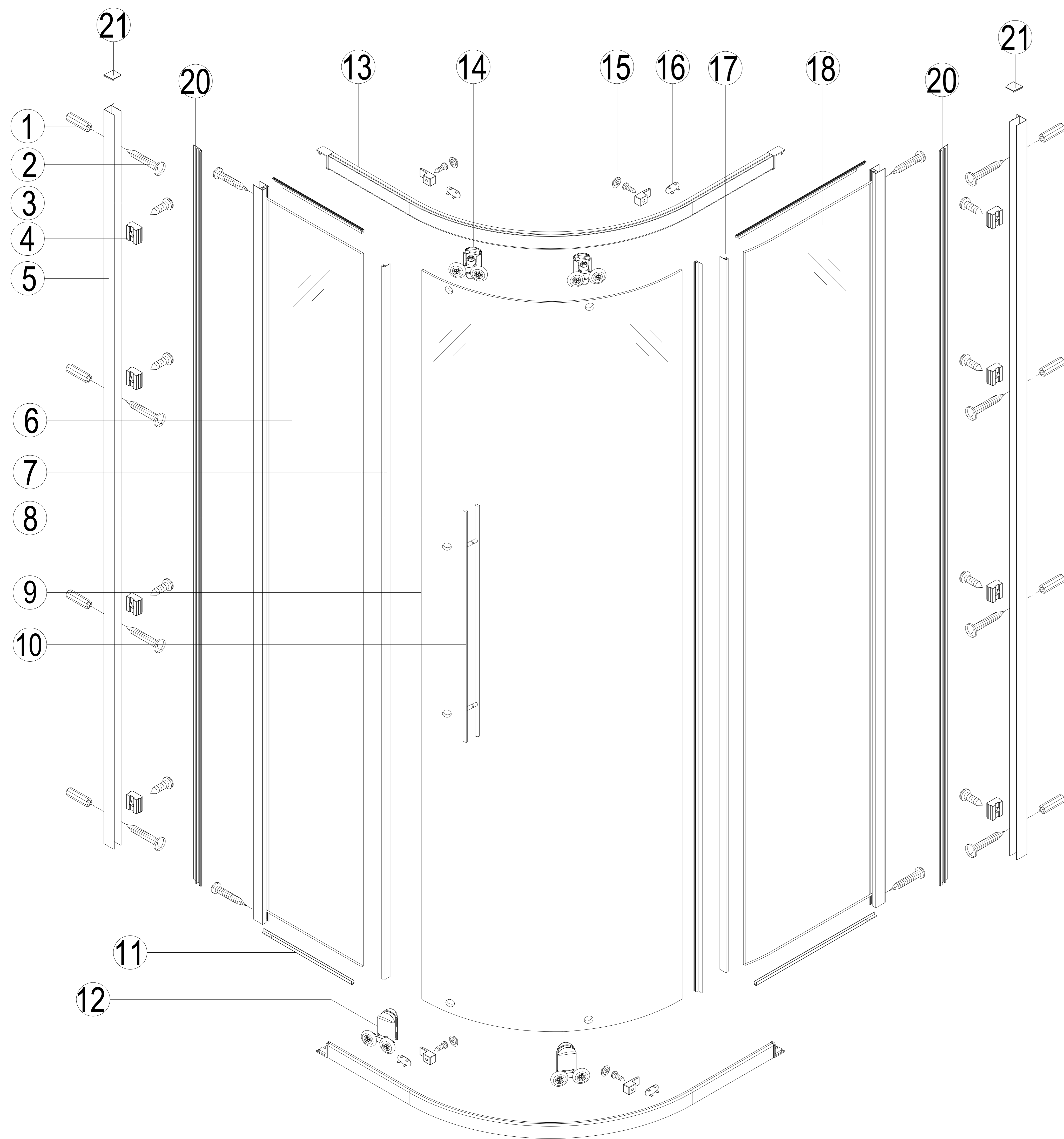
Eastbrook 

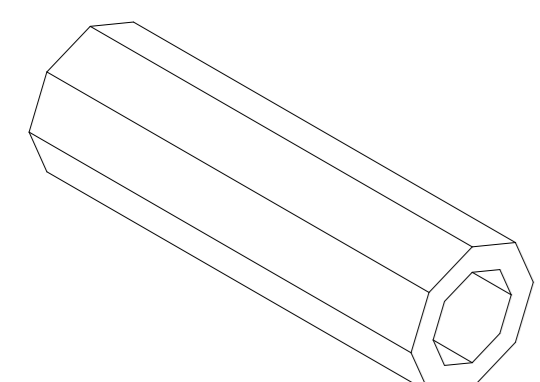
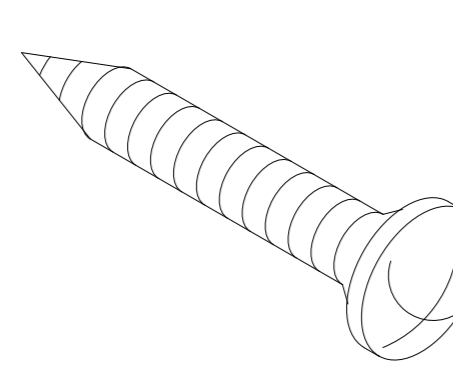
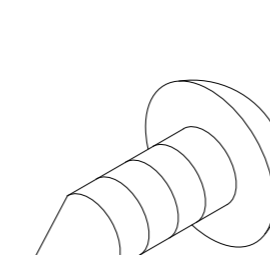
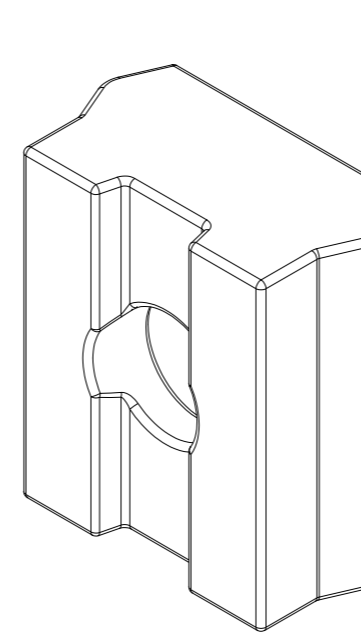
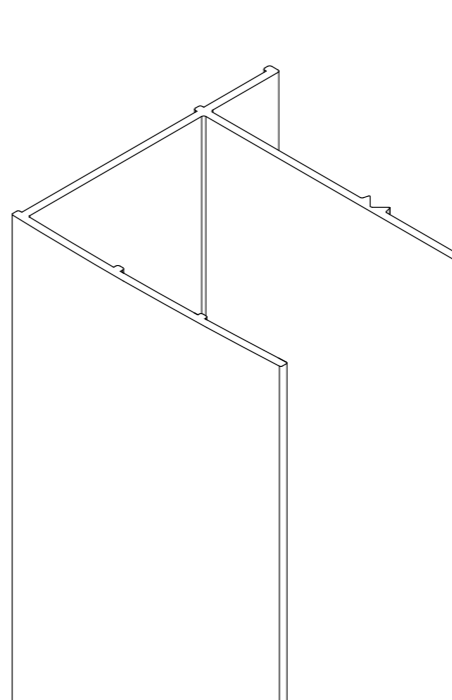
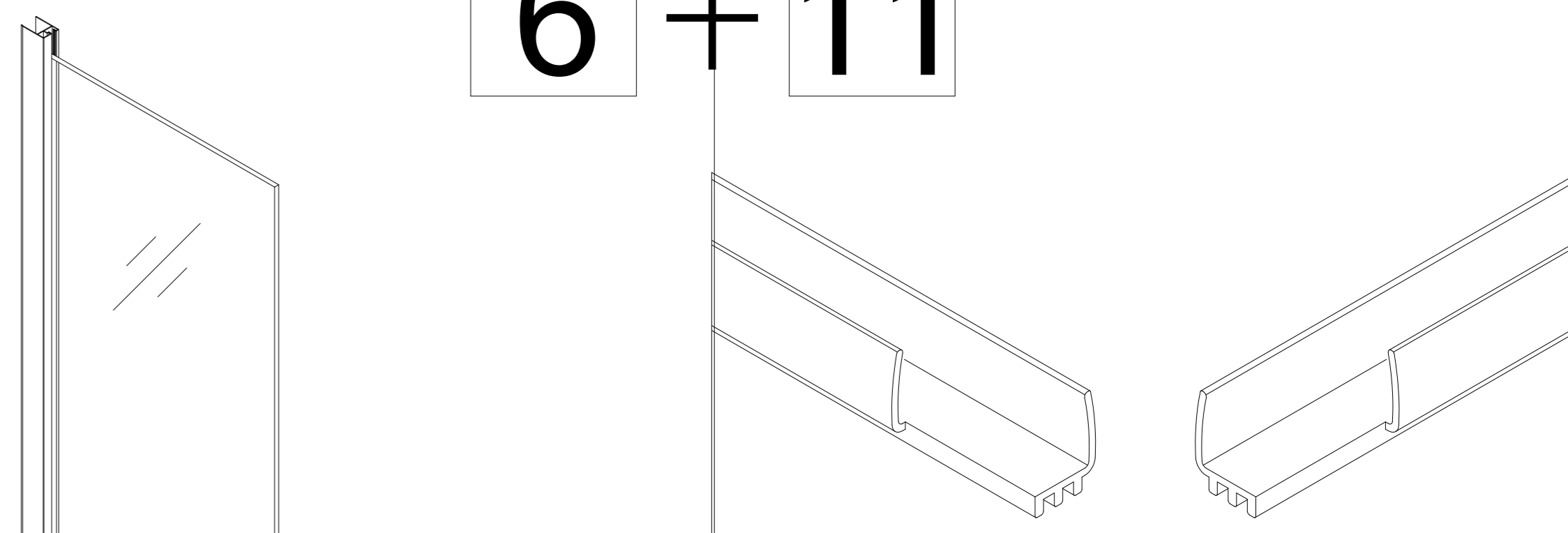
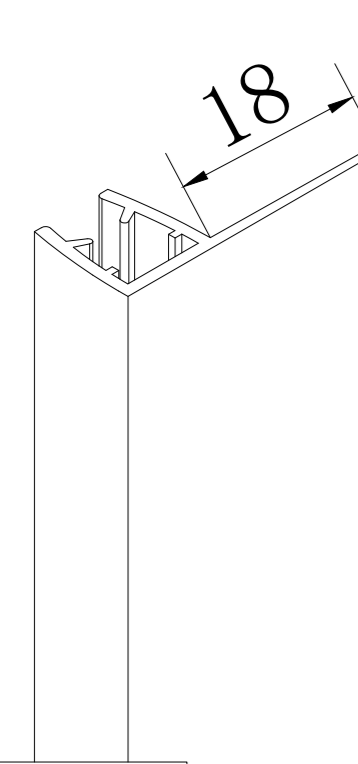
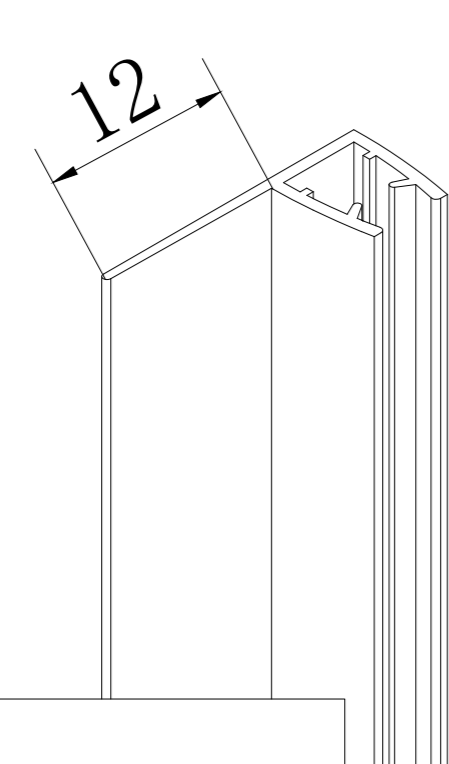
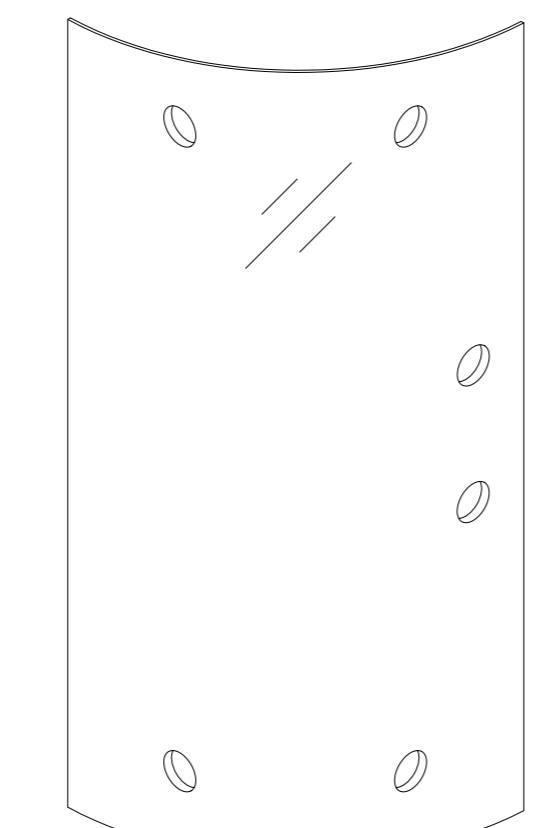
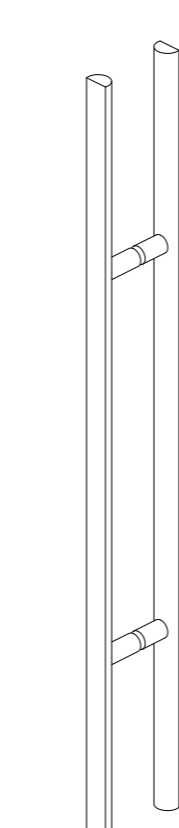
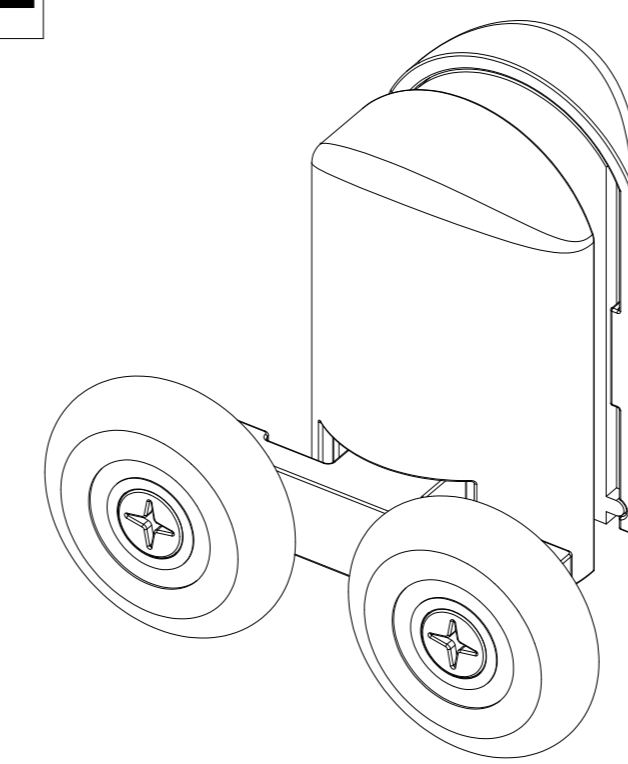
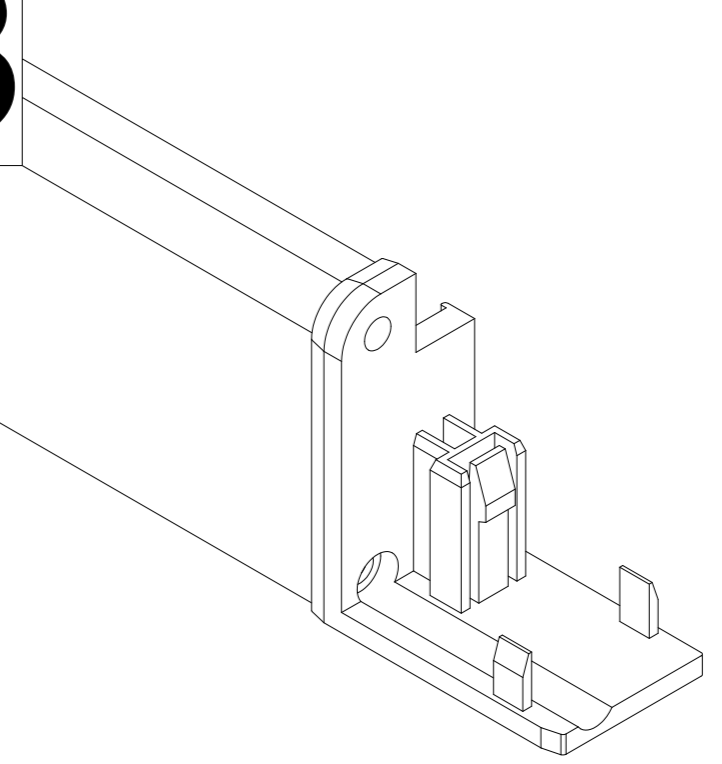
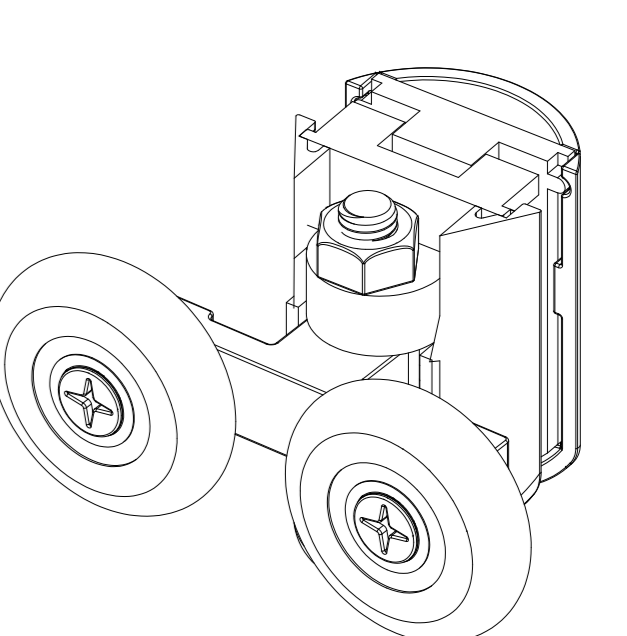
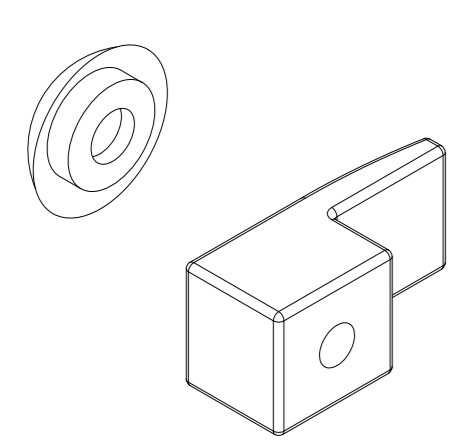
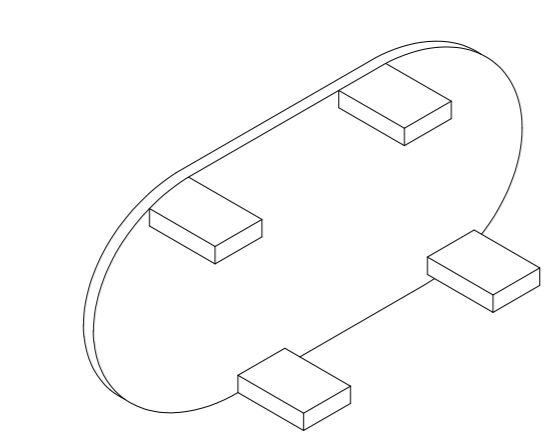
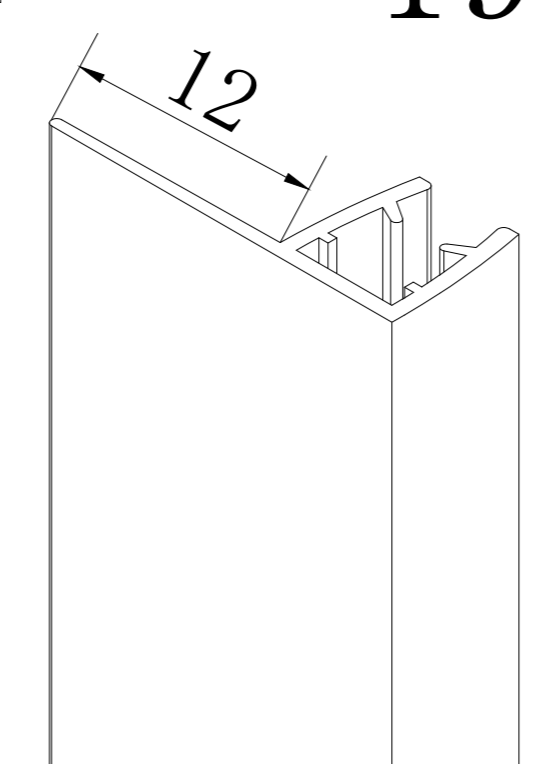
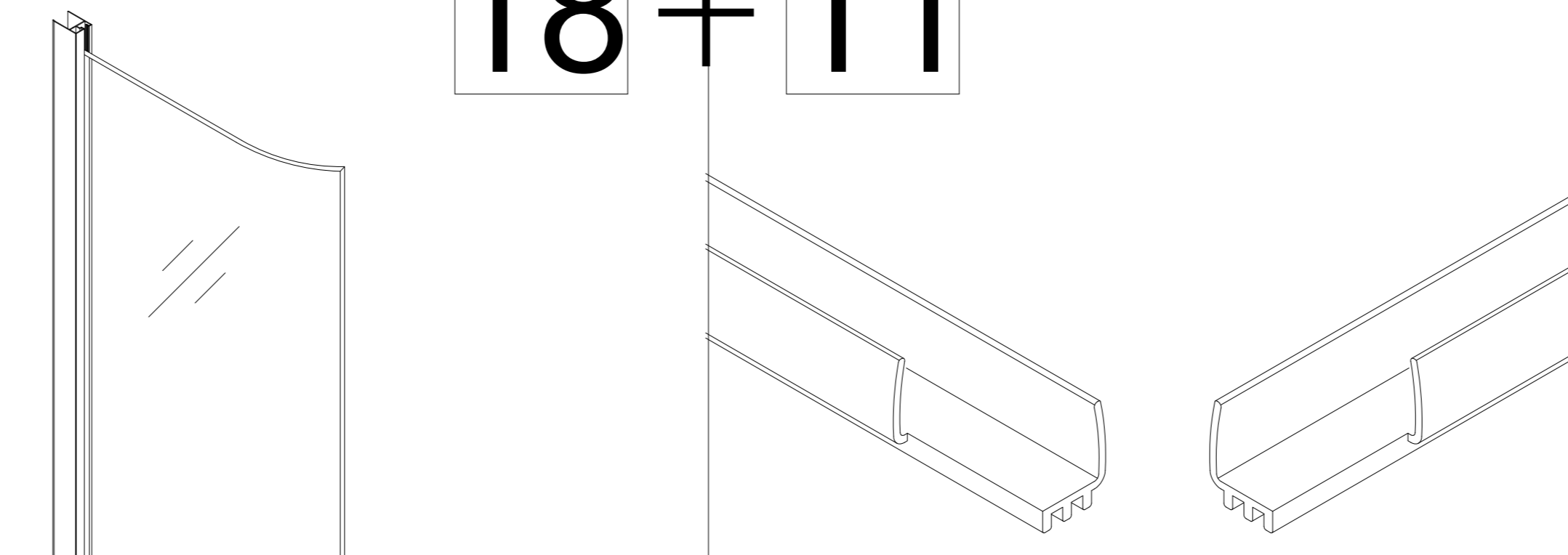
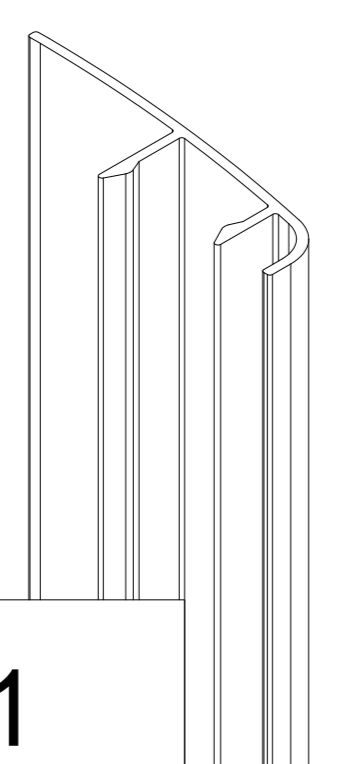
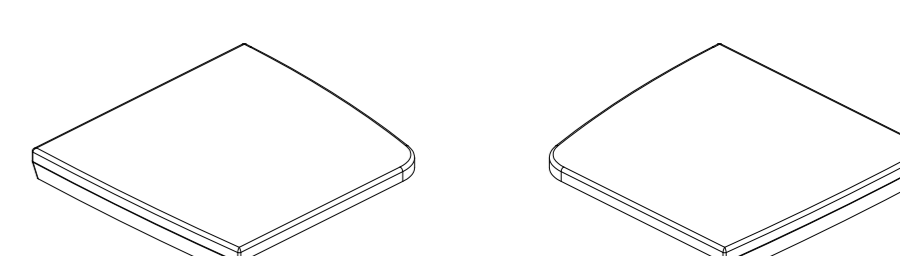
Eastbrook Road, Gloucester G14 3DB

Technical Helpline: 01452 317890

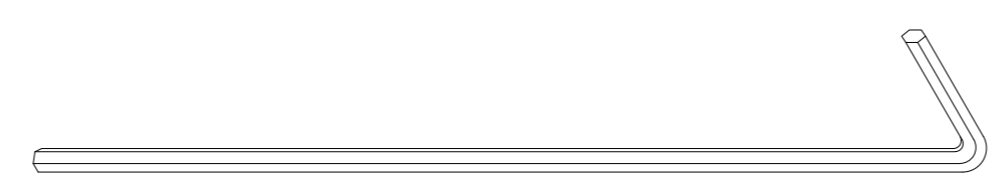
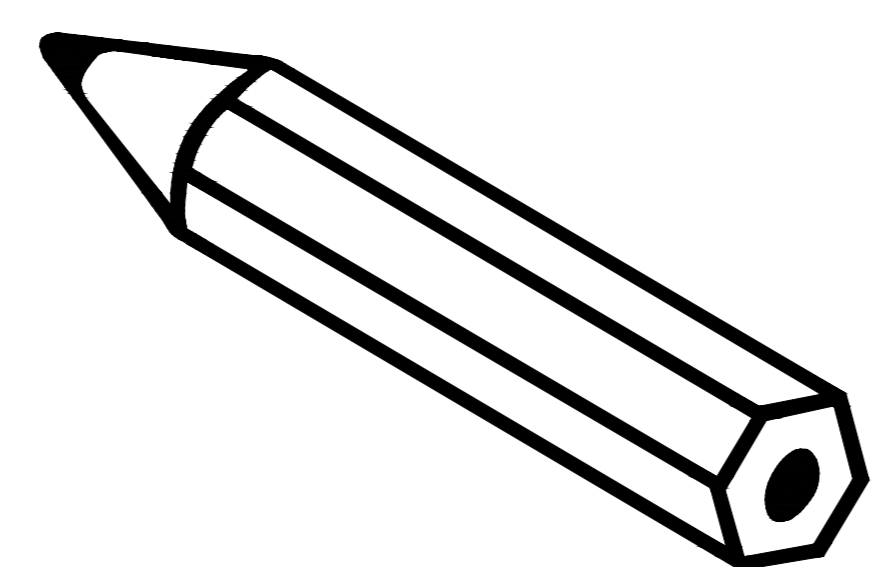
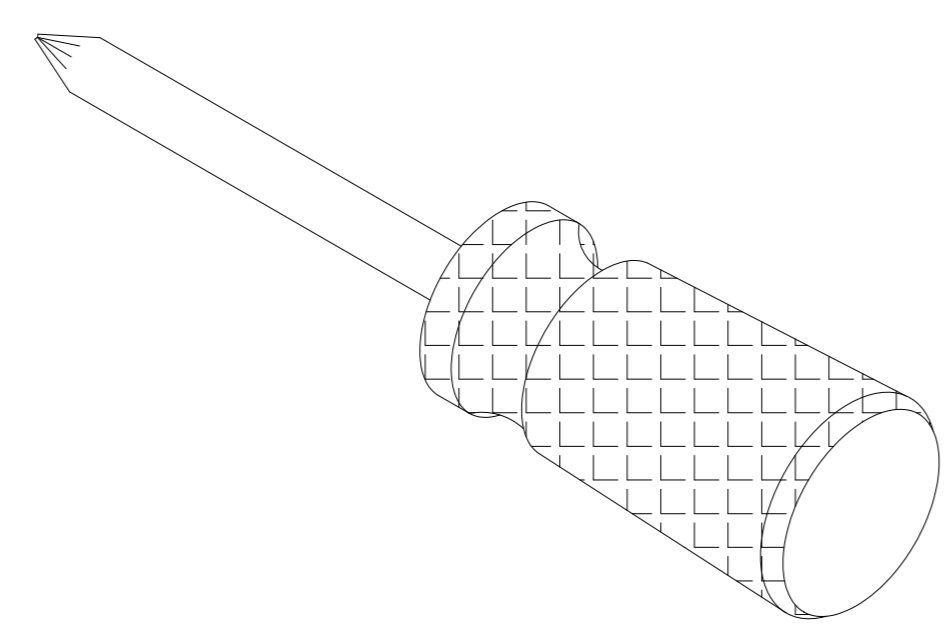
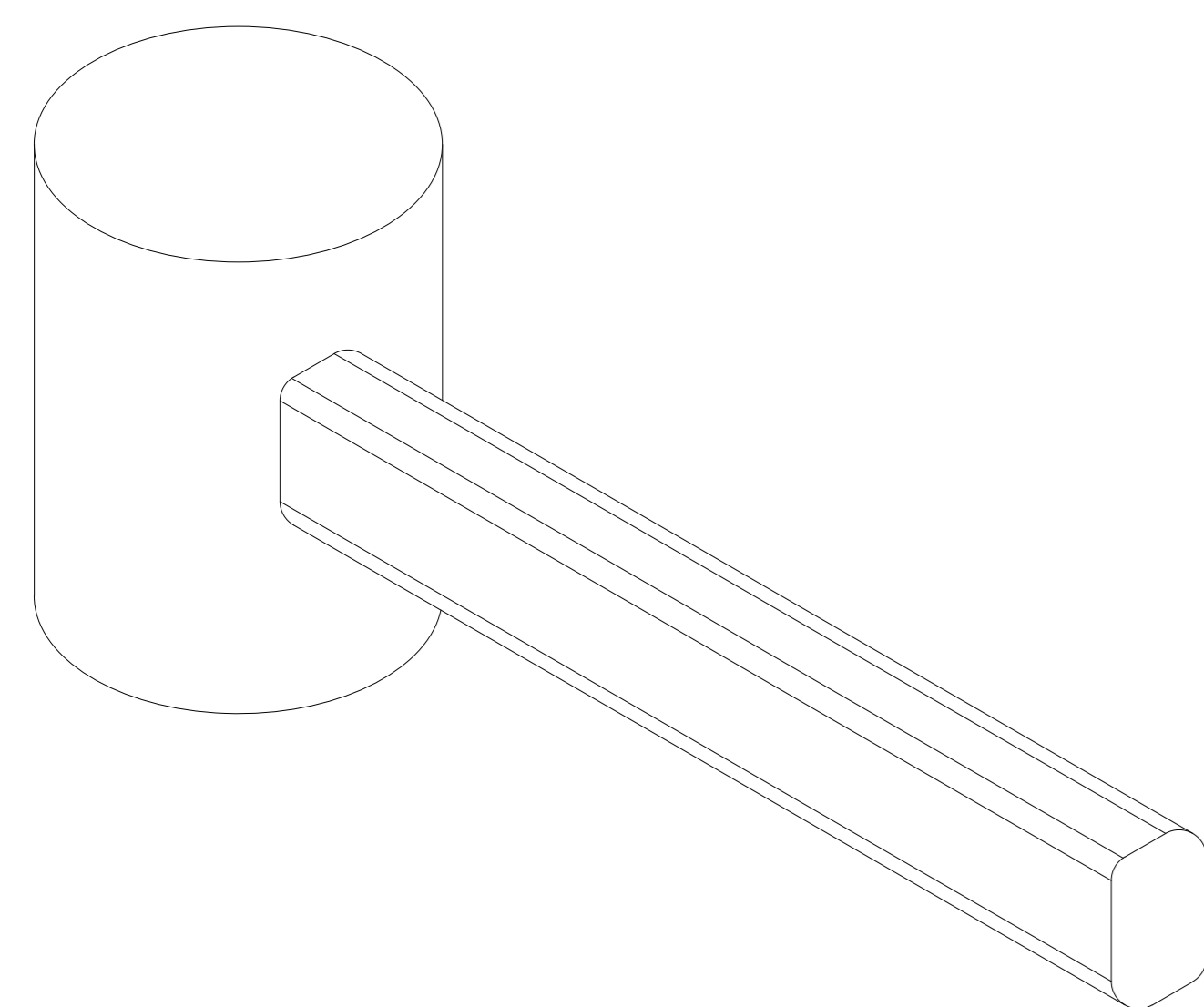
email: technical@eastbrookco.com



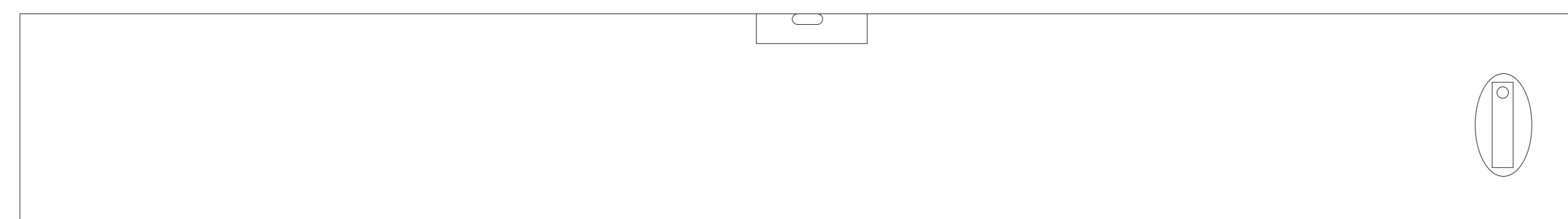


<p>1</p>  <p>D6x30 8Pcs</p>	<p>2</p>  <p>ST4X30 12Pcs</p>	<p>3</p>  <p>ST4X12 12Pcs</p>	<p>4</p>  <p>RF-6Y01 8Pcs</p>	<p>5</p>  <p>RF-6W01 2Pcs</p>	<p>6 + 11</p>  <p>RF-1S 1Pcs RF-6X03 2Pcs</p>	
<p>7</p> <p>1910mm</p>  <p>RF-6Z08 1Pcs</p>	<p>8</p> <p>1972mm</p>  <p>RF-6Z02 1Pcs</p>	<p>9</p>  <p>RF-6X04 1Pcs</p>	<p>10</p>  <p>RF-6X02 2Pcs</p>	<p>12</p>  <p>RF-6X03 2Pcs</p>	<p>13</p>  <p>RF-6C1 2Pcs</p>	<p>14</p>  <p>RF-6Y12 2Pcs</p>
<p>15</p>  <p>RF-6Y02 4Pcs</p>	<p>16</p>  <p>RF-6Y05 4Pcs</p>	<p>17</p> <p>1910mm</p>  <p>RF-6Z02 1Pcs</p>	<p>18 + 11</p>  <p>RF-6C1 2Pcs RF-6X03 2Pcs</p>		<p>20</p>  <p>RF-6Y12 2Pcs</p>	<p>21</p>  <p>RF-6Y12 2Pcs</p>

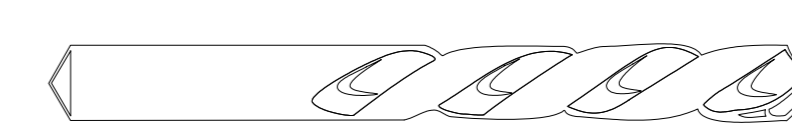
Tools:



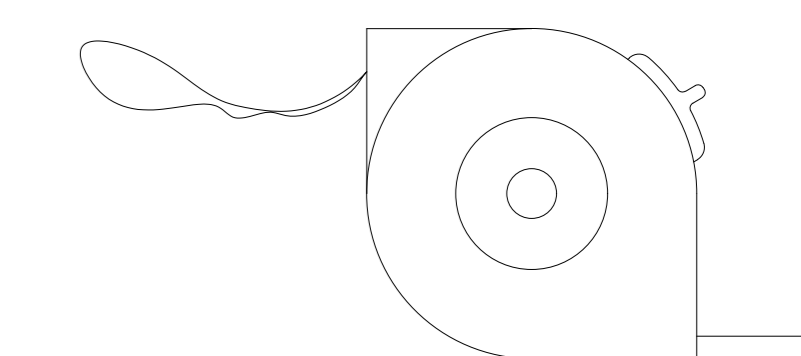
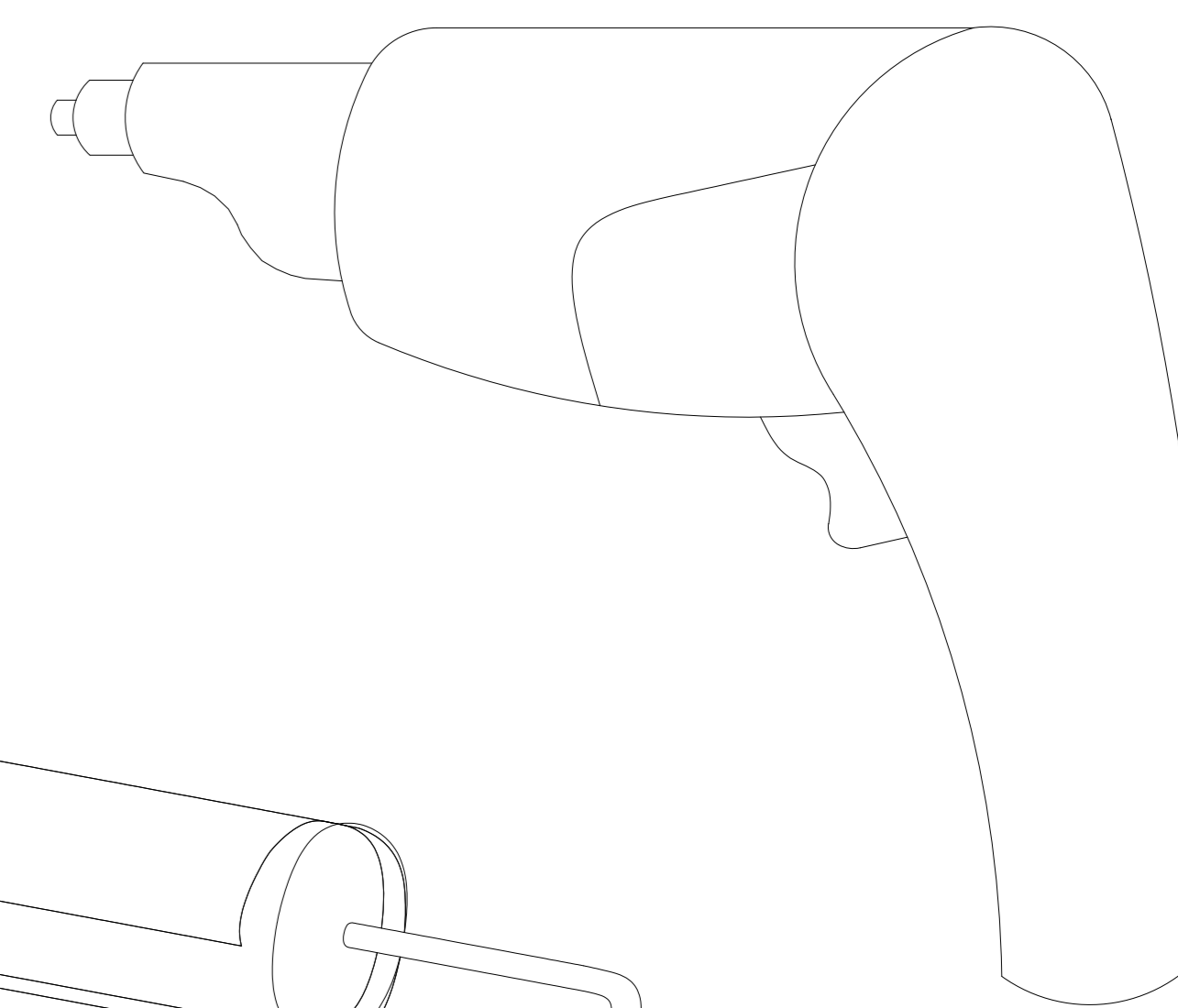
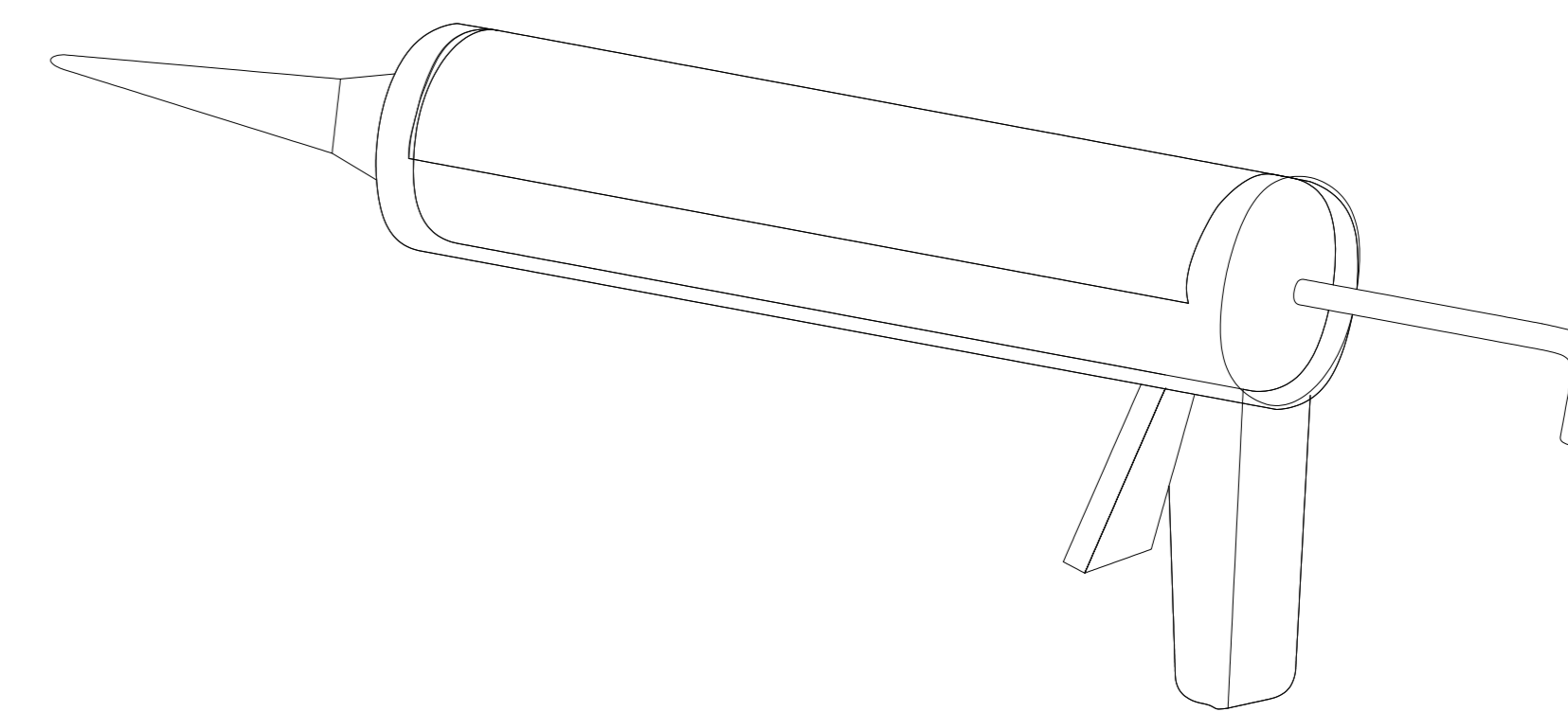
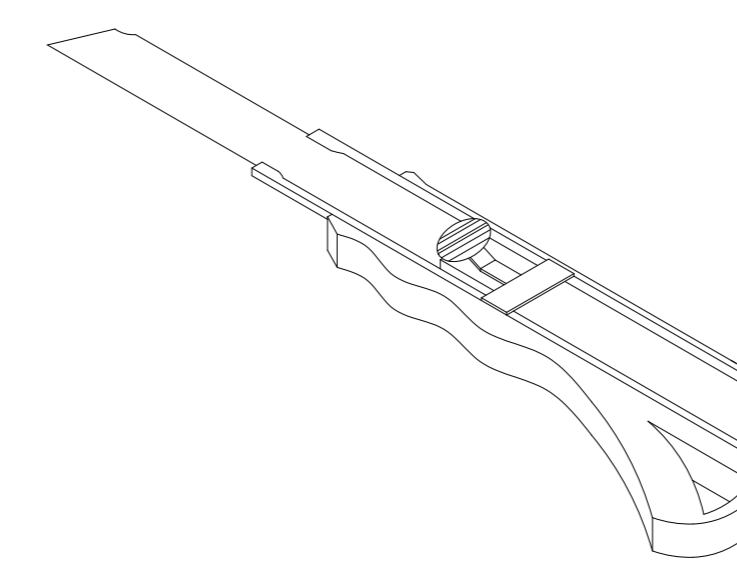
2 mm

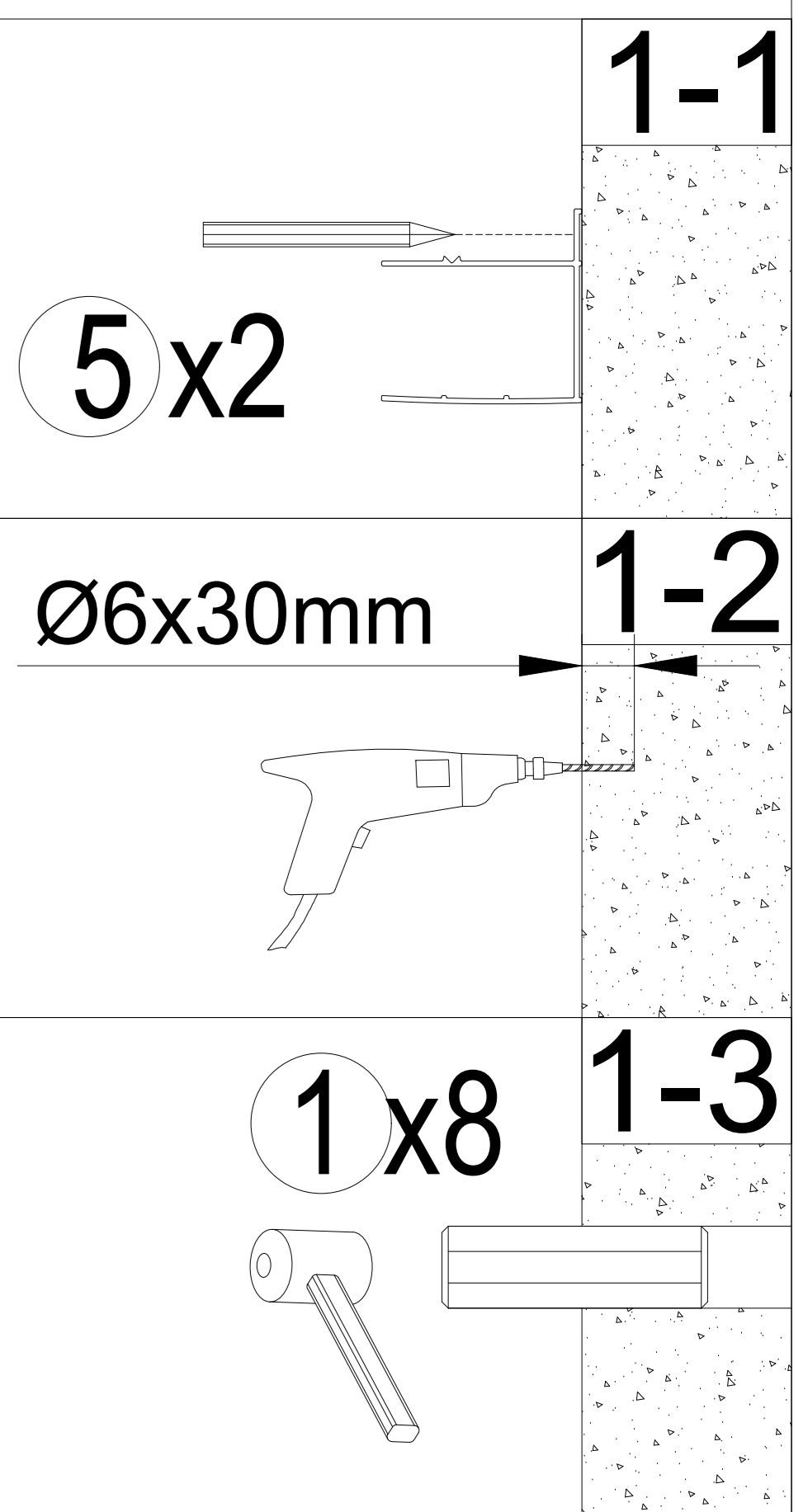
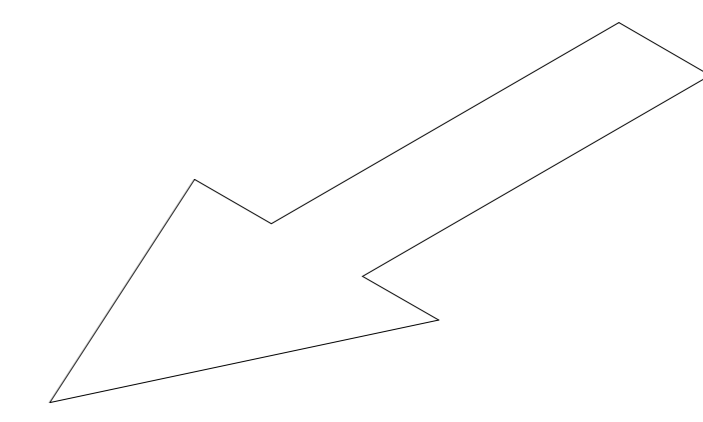
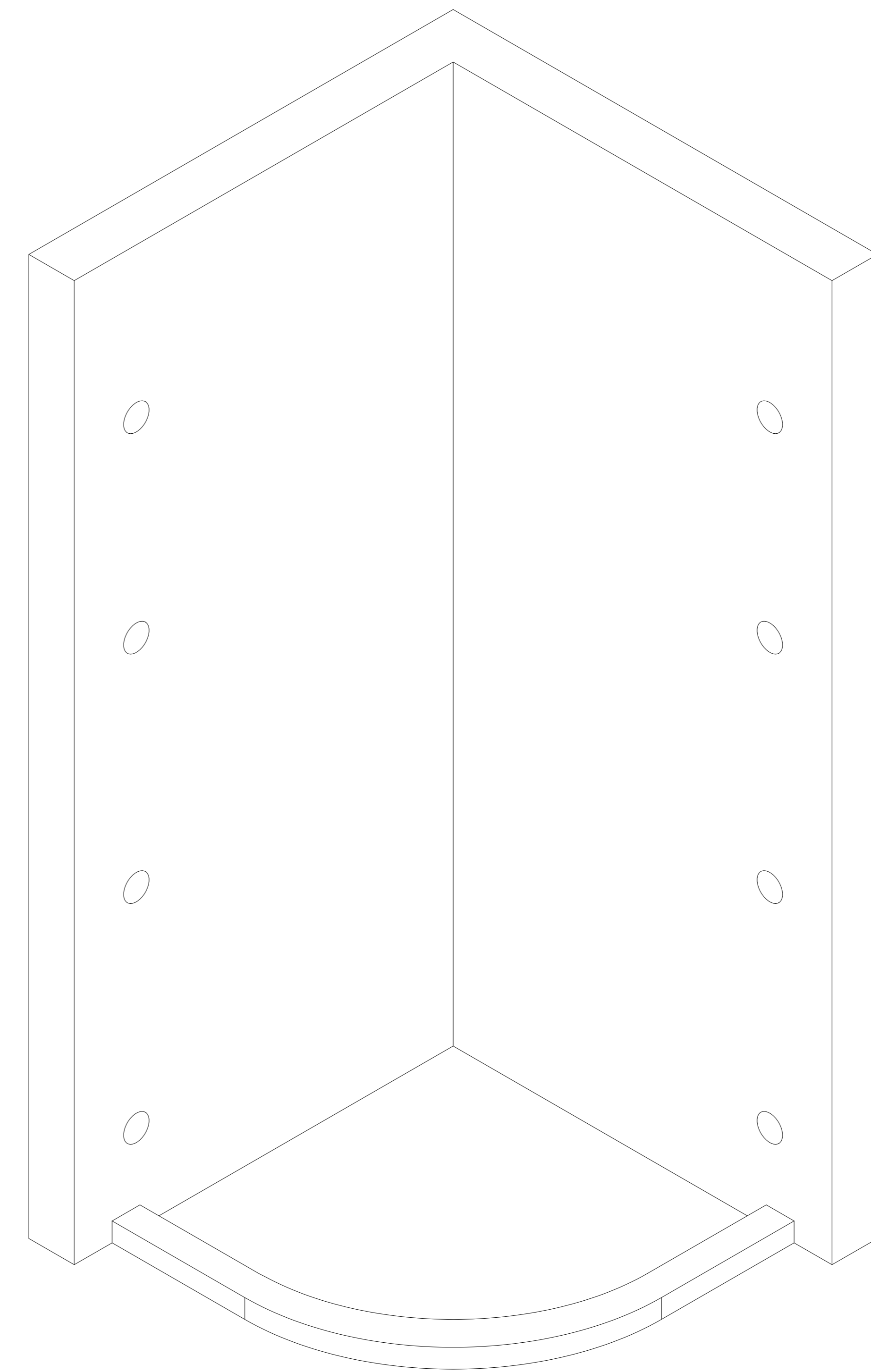
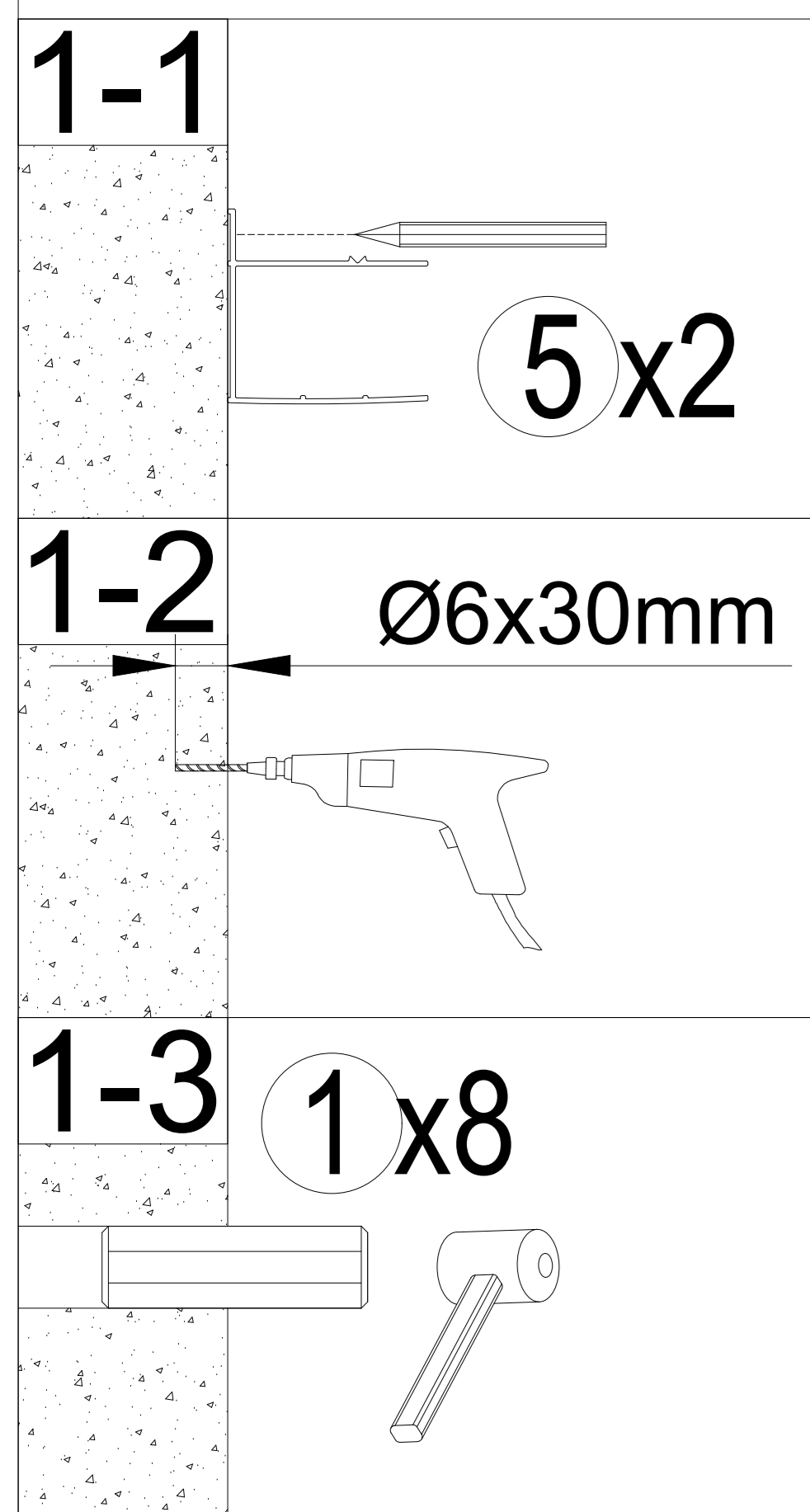
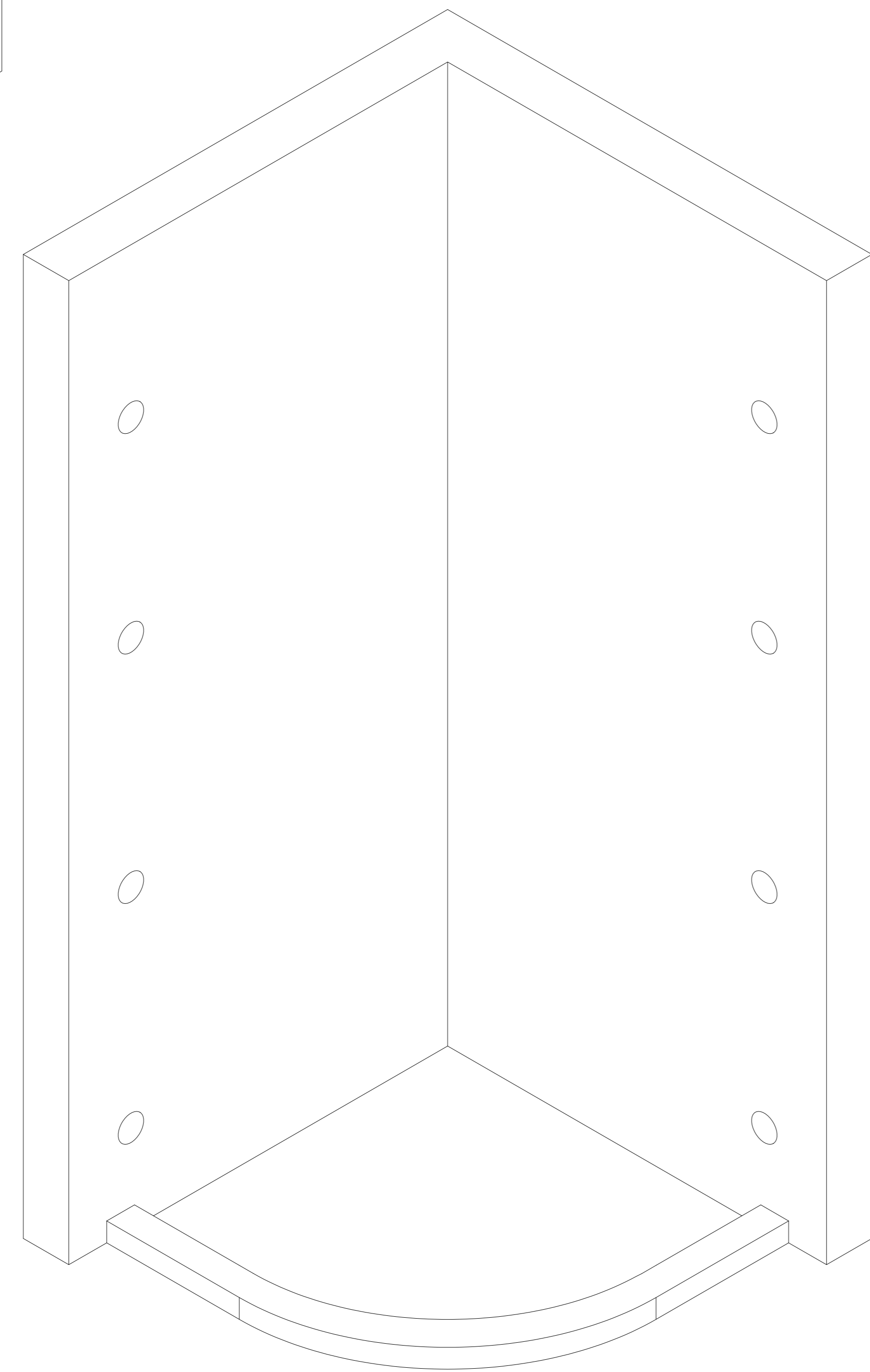
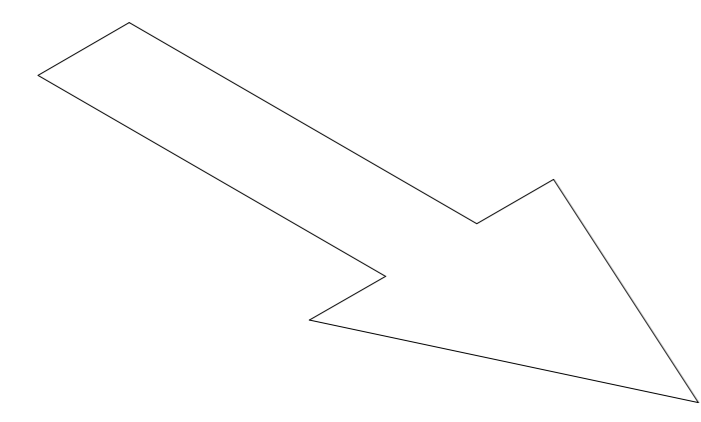
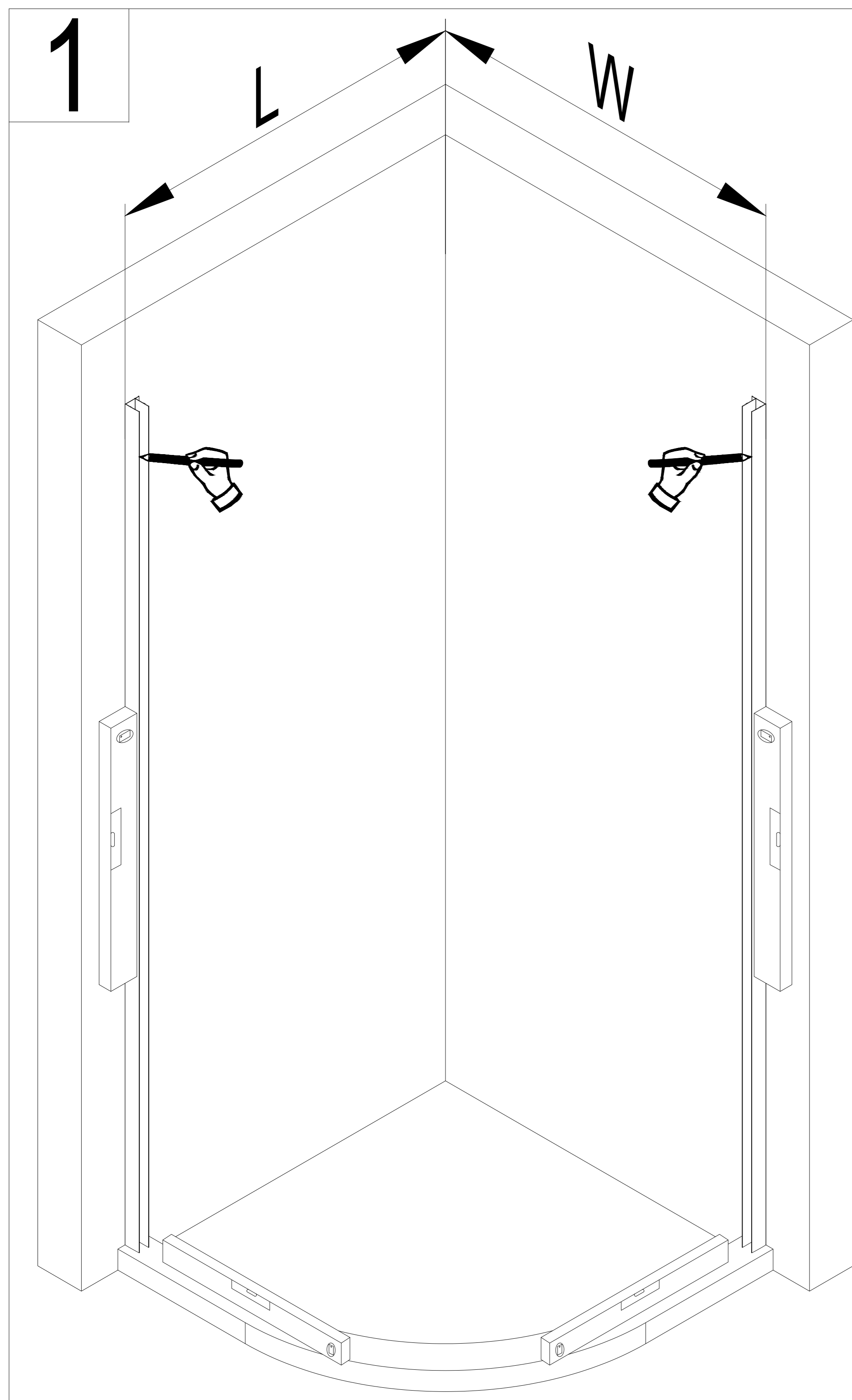


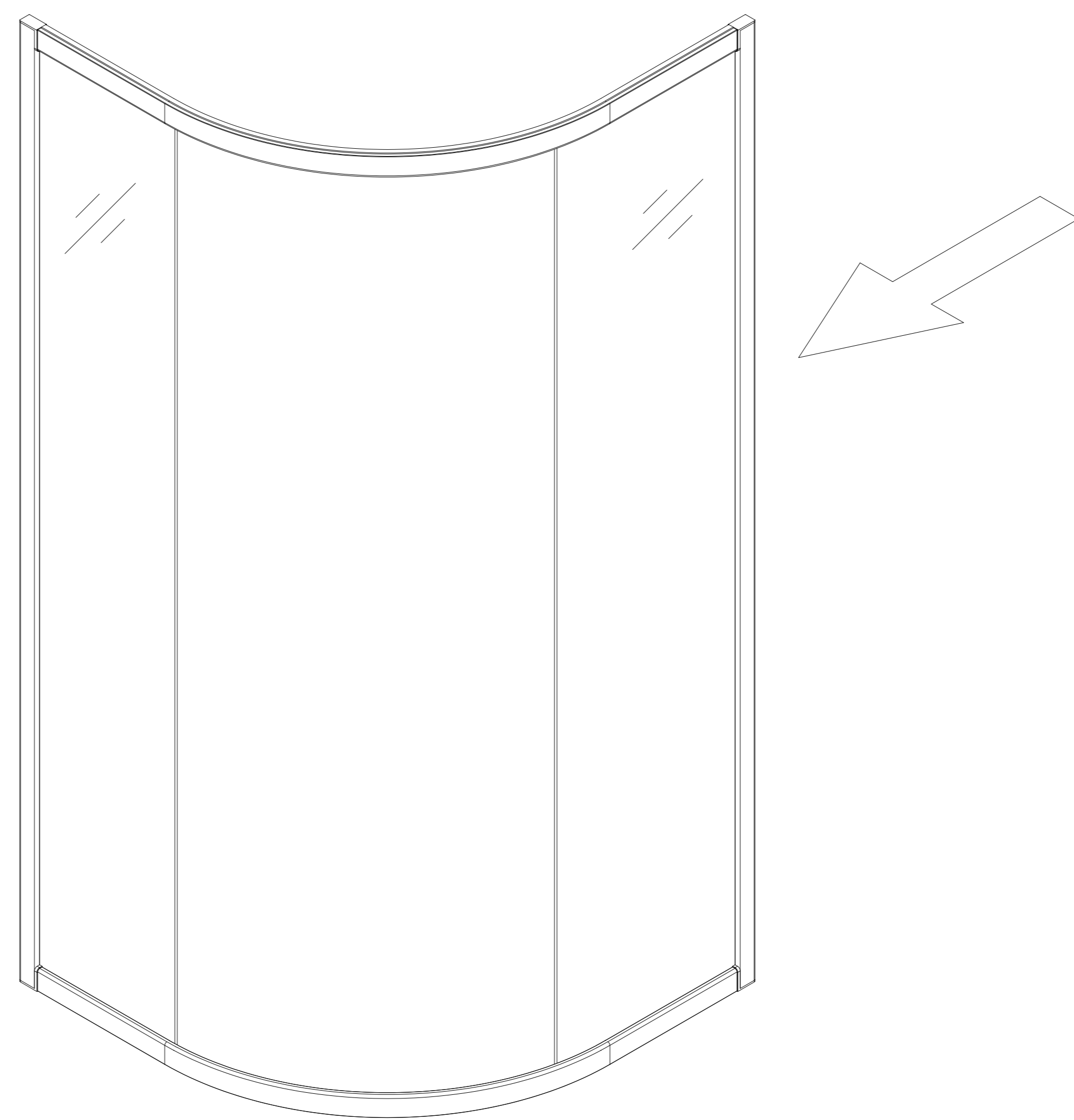
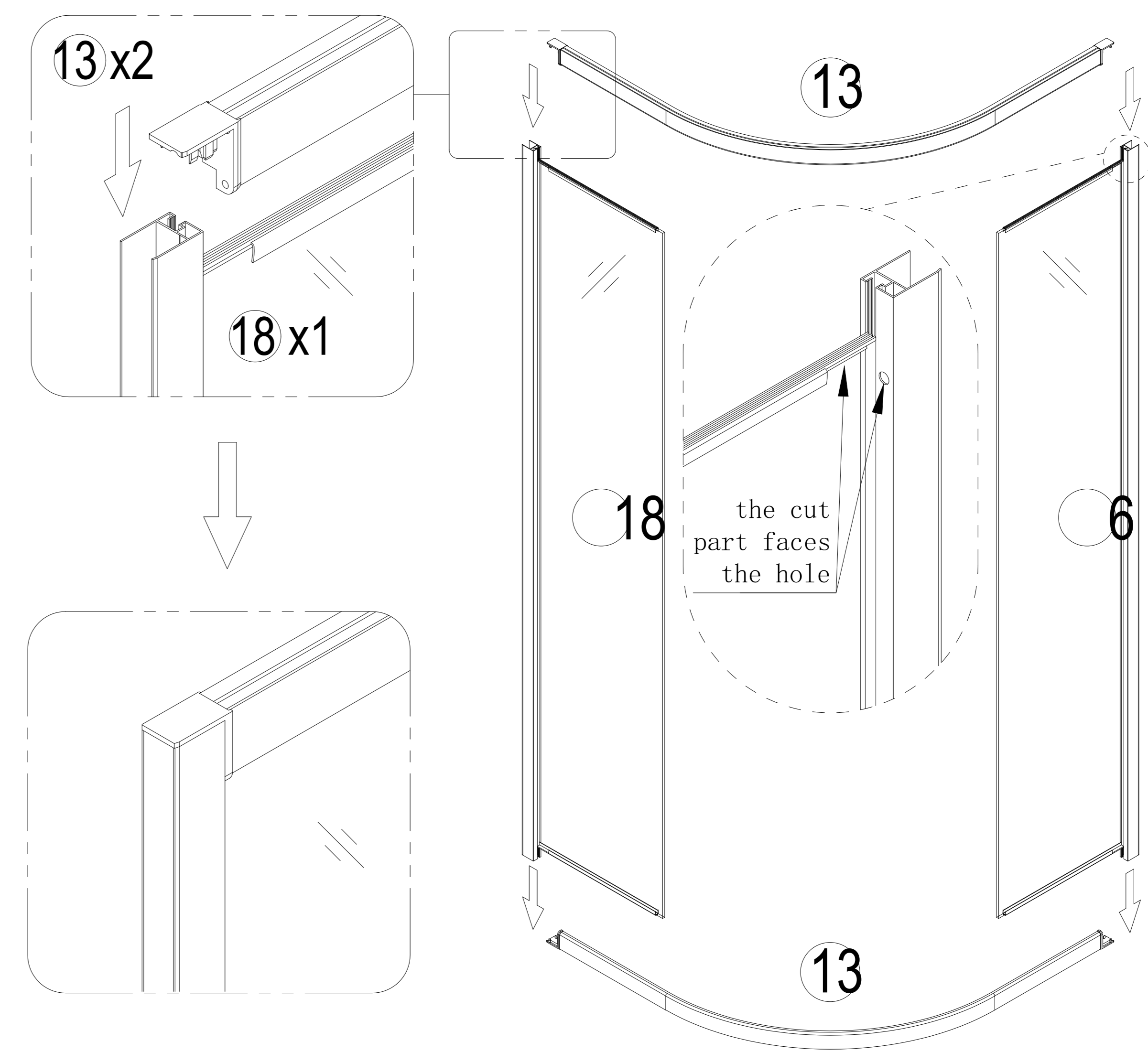
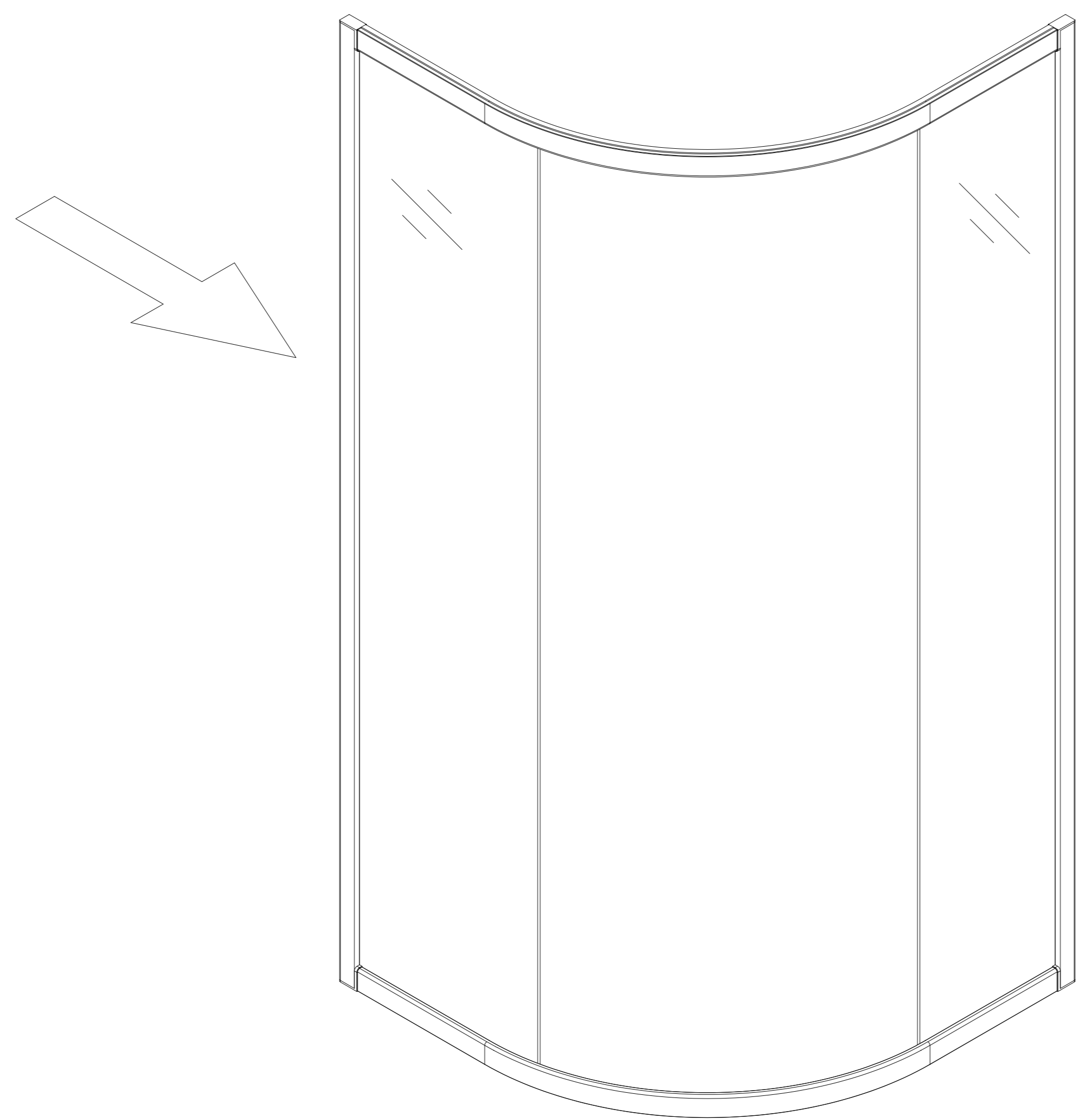
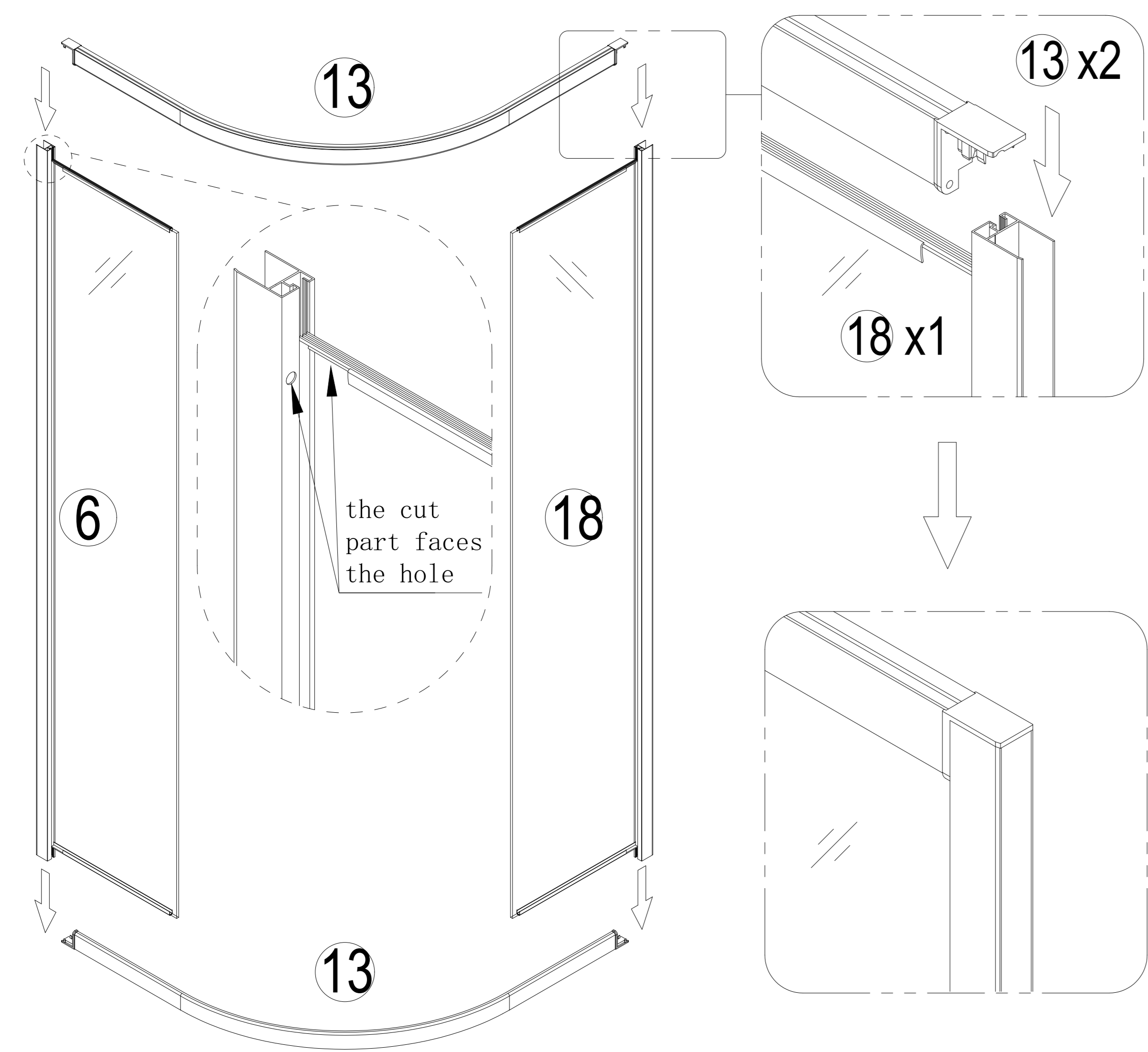
Ø6mm



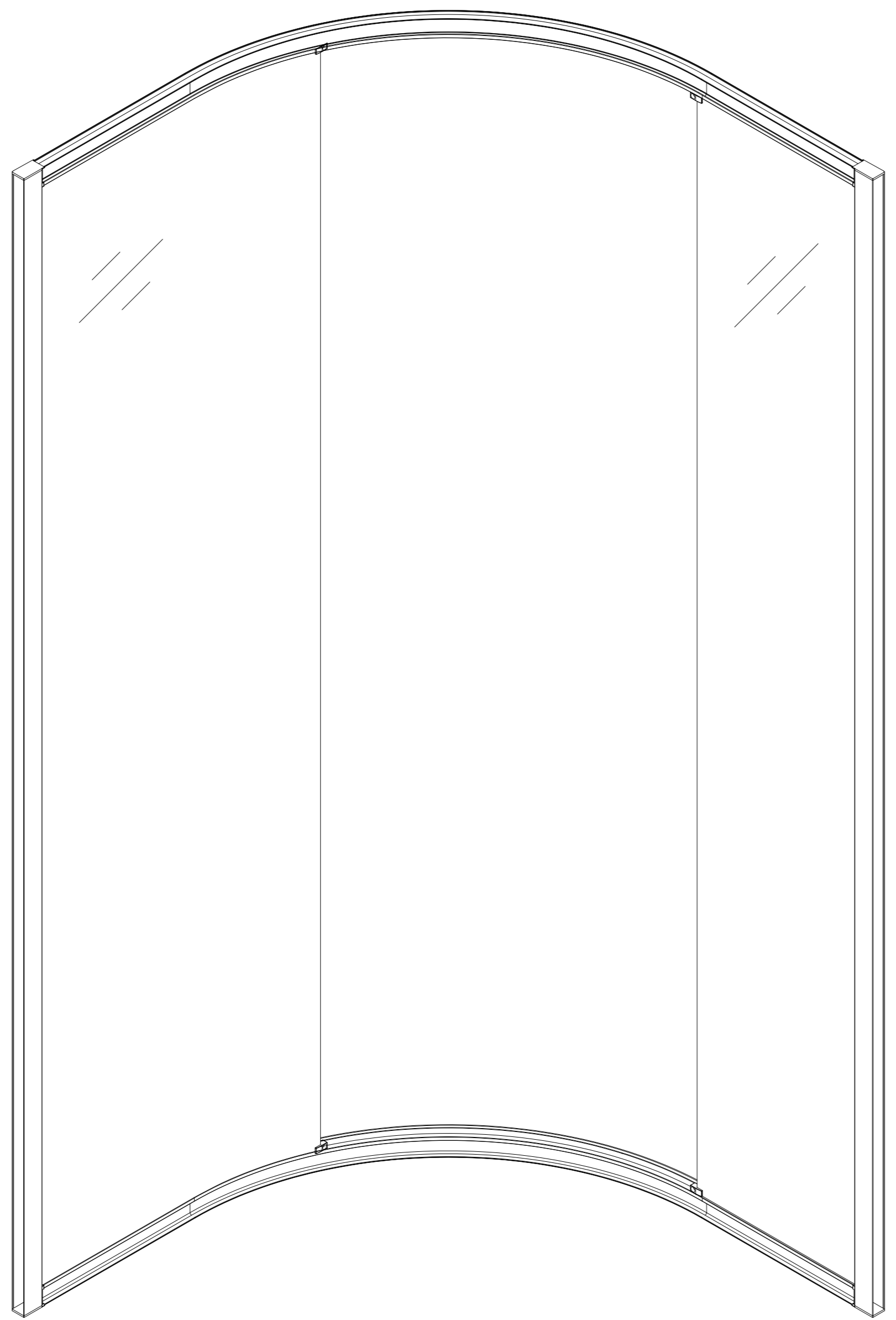
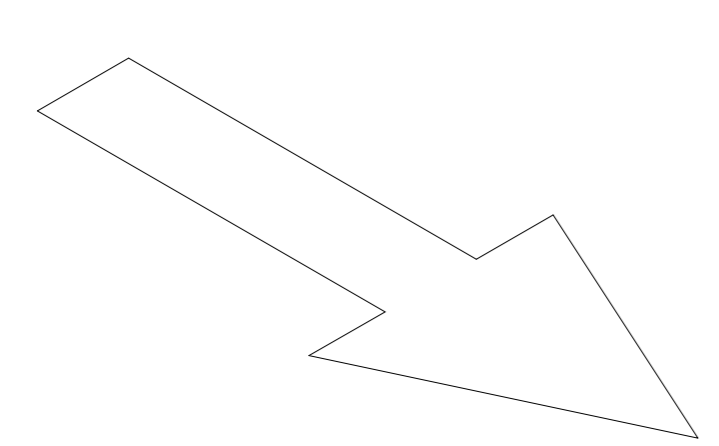
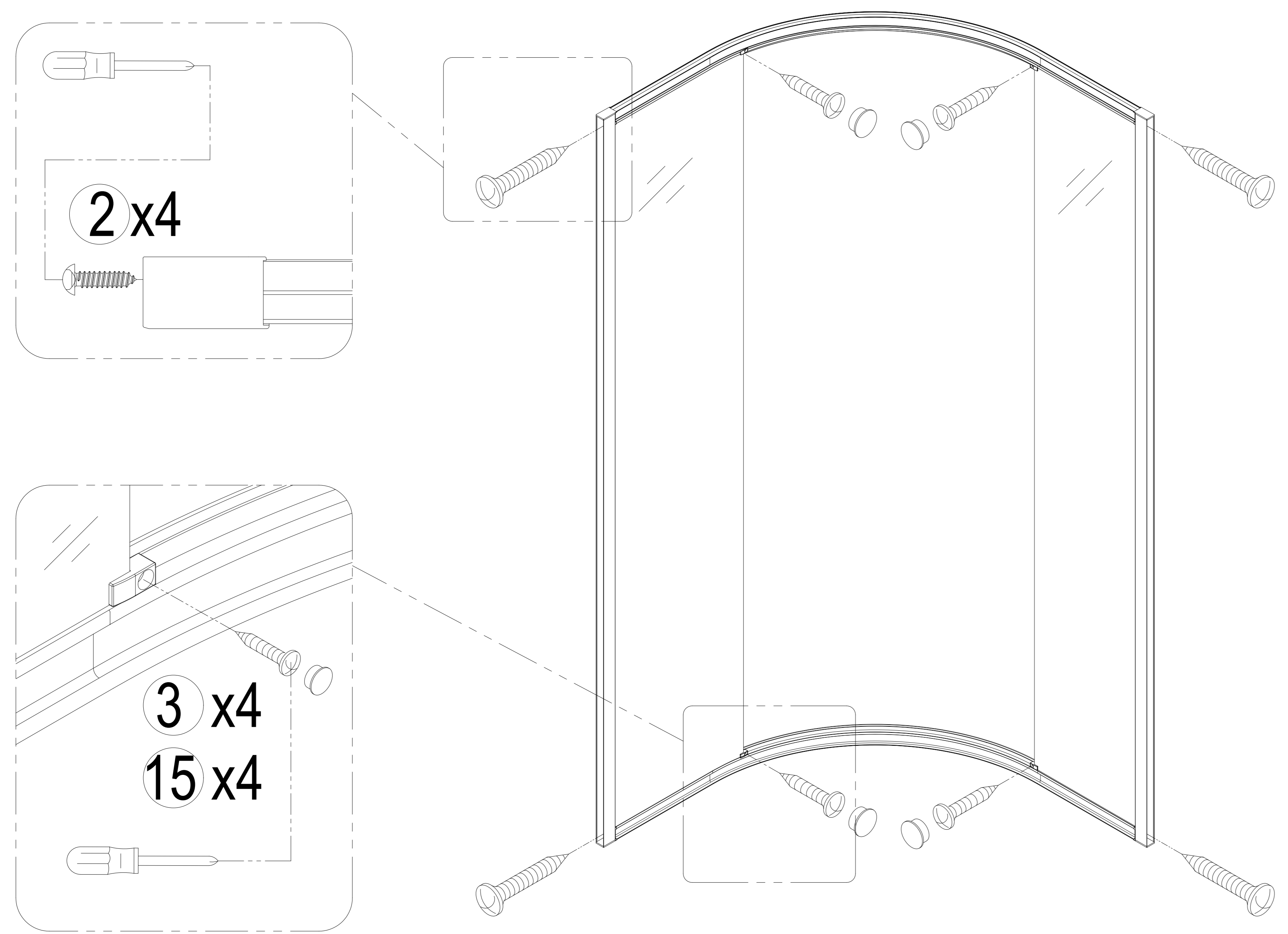
Ø3.2mm



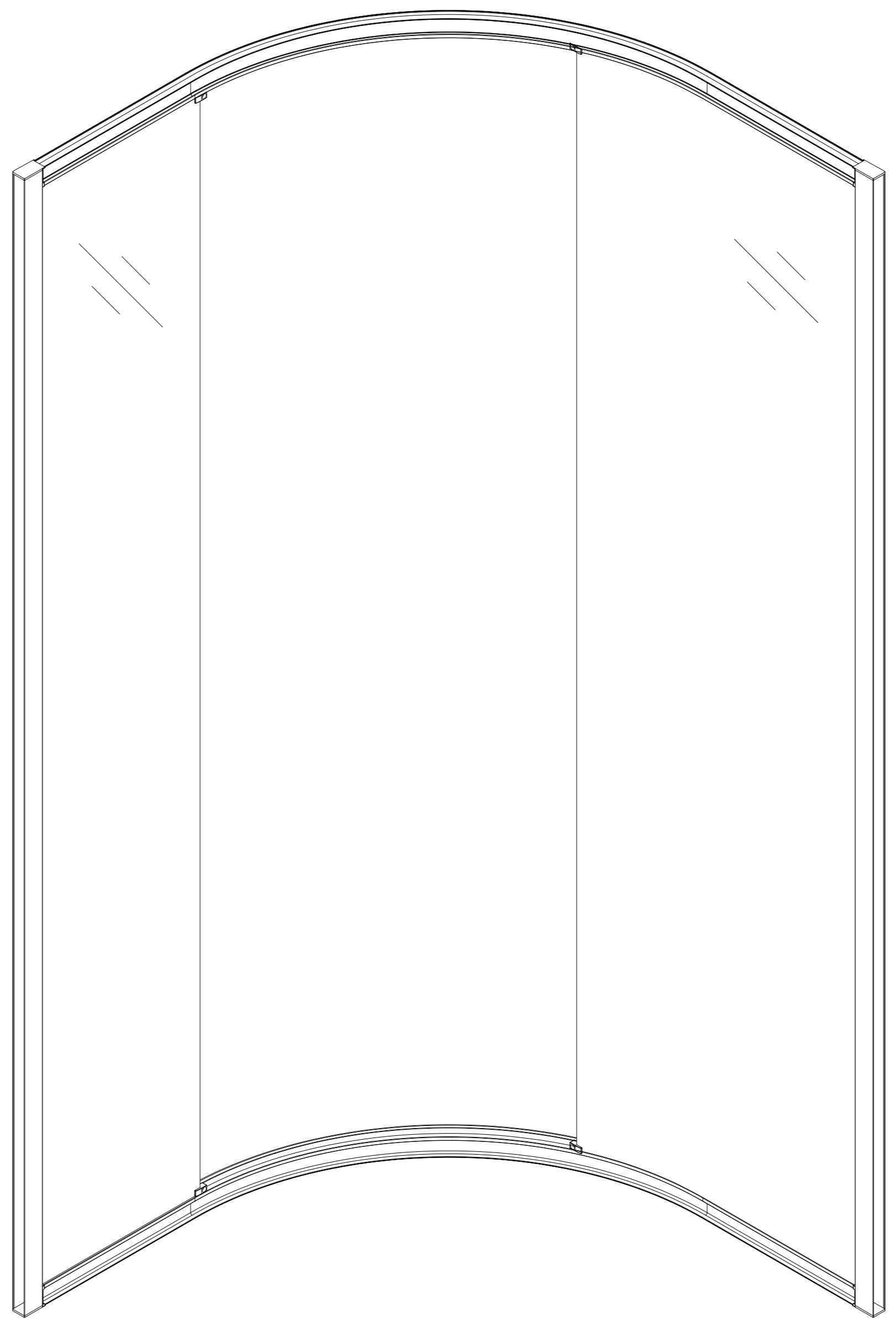
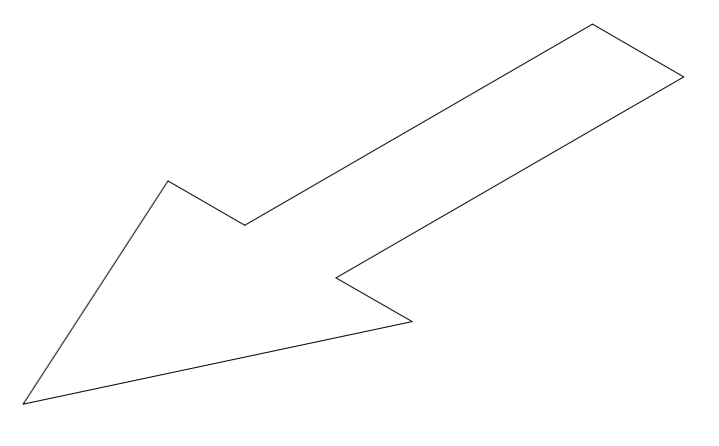
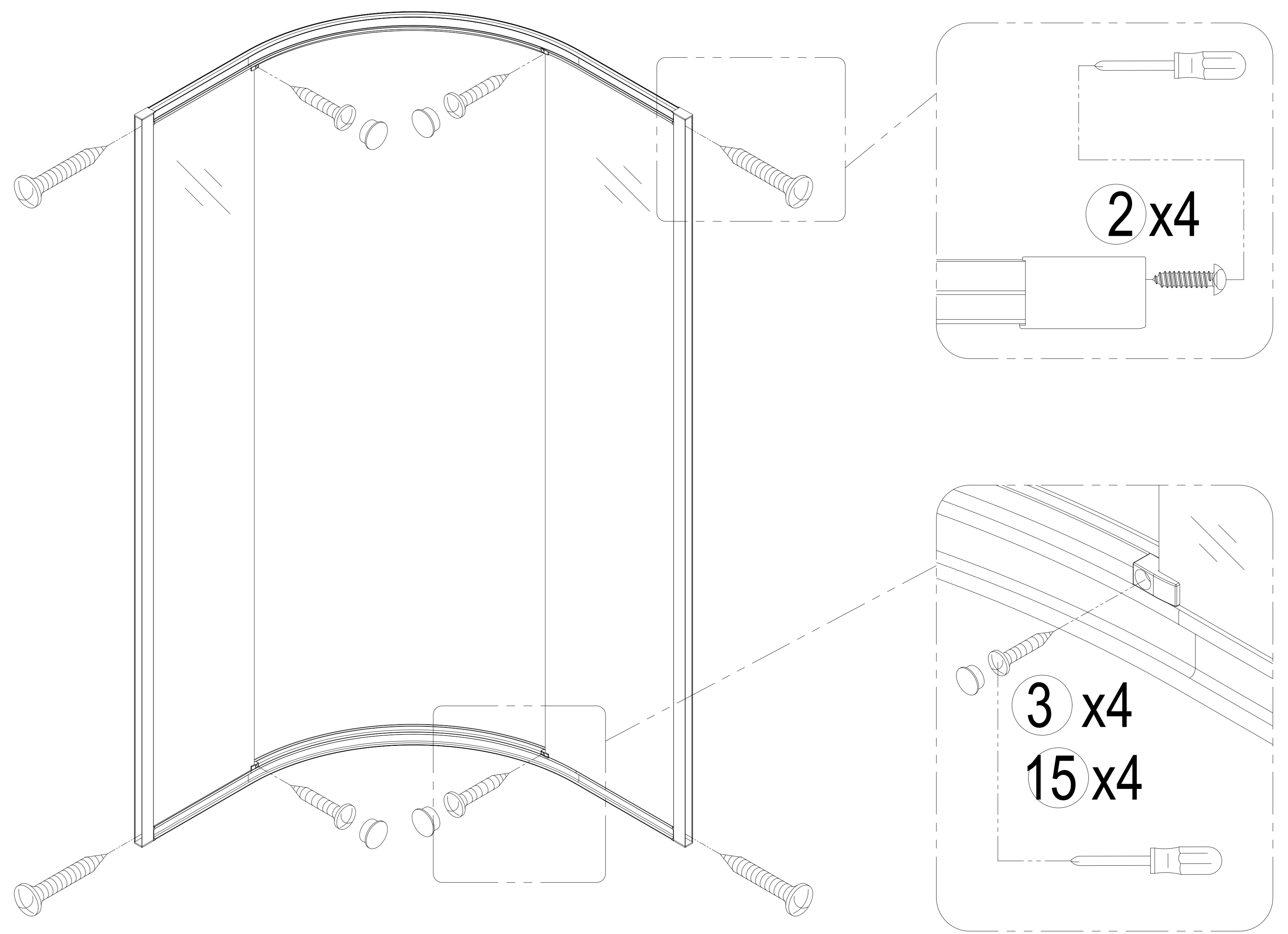




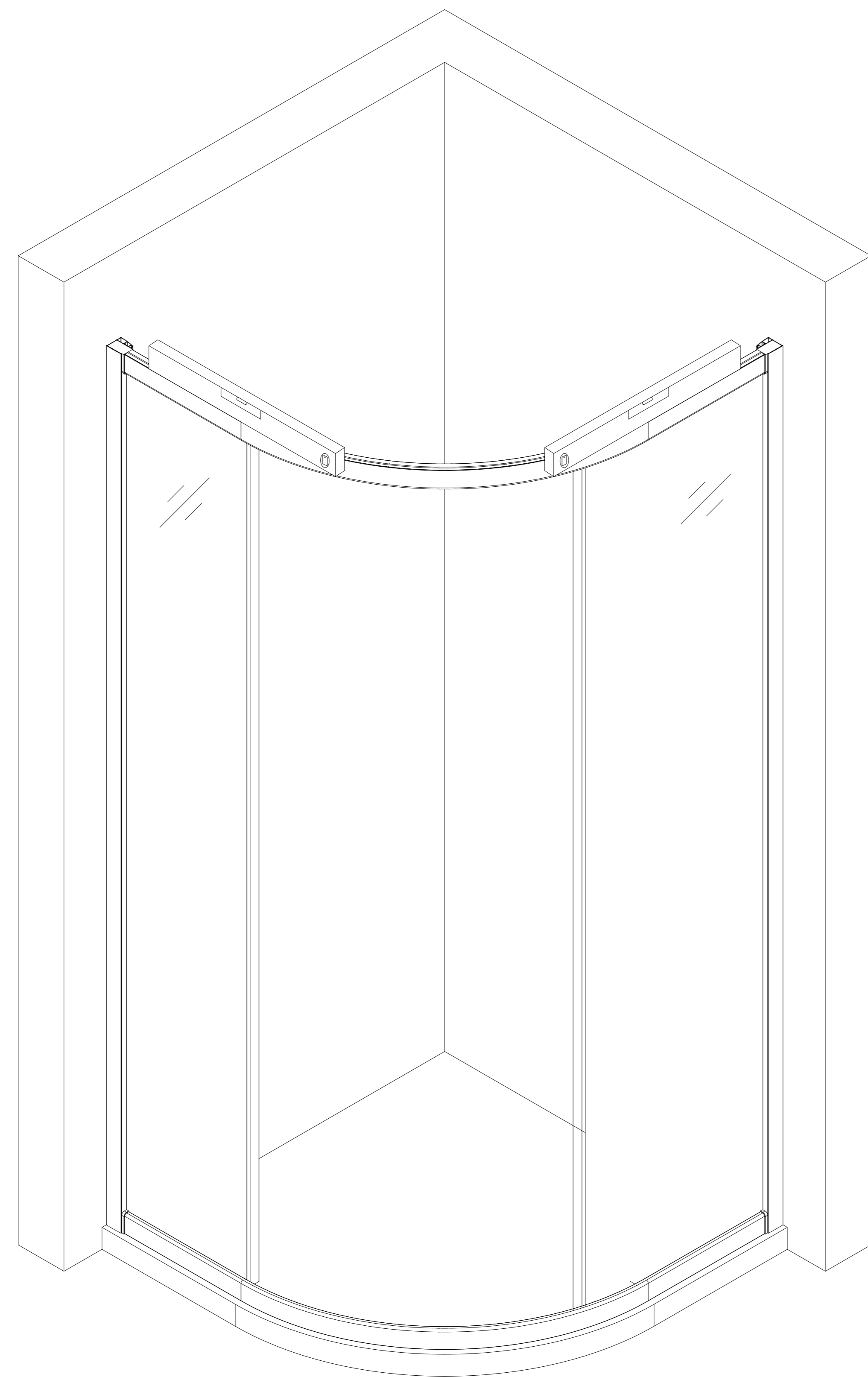
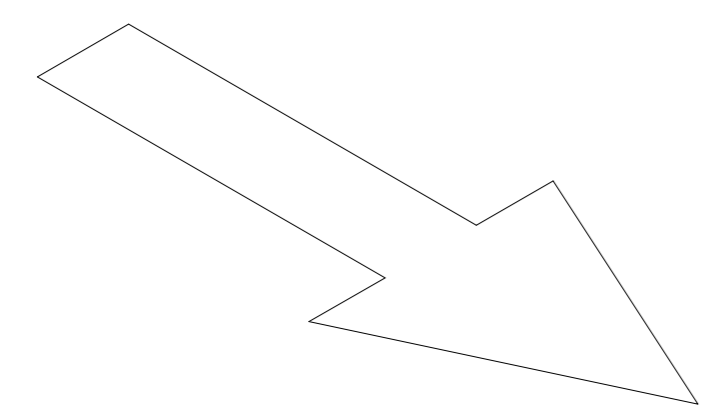
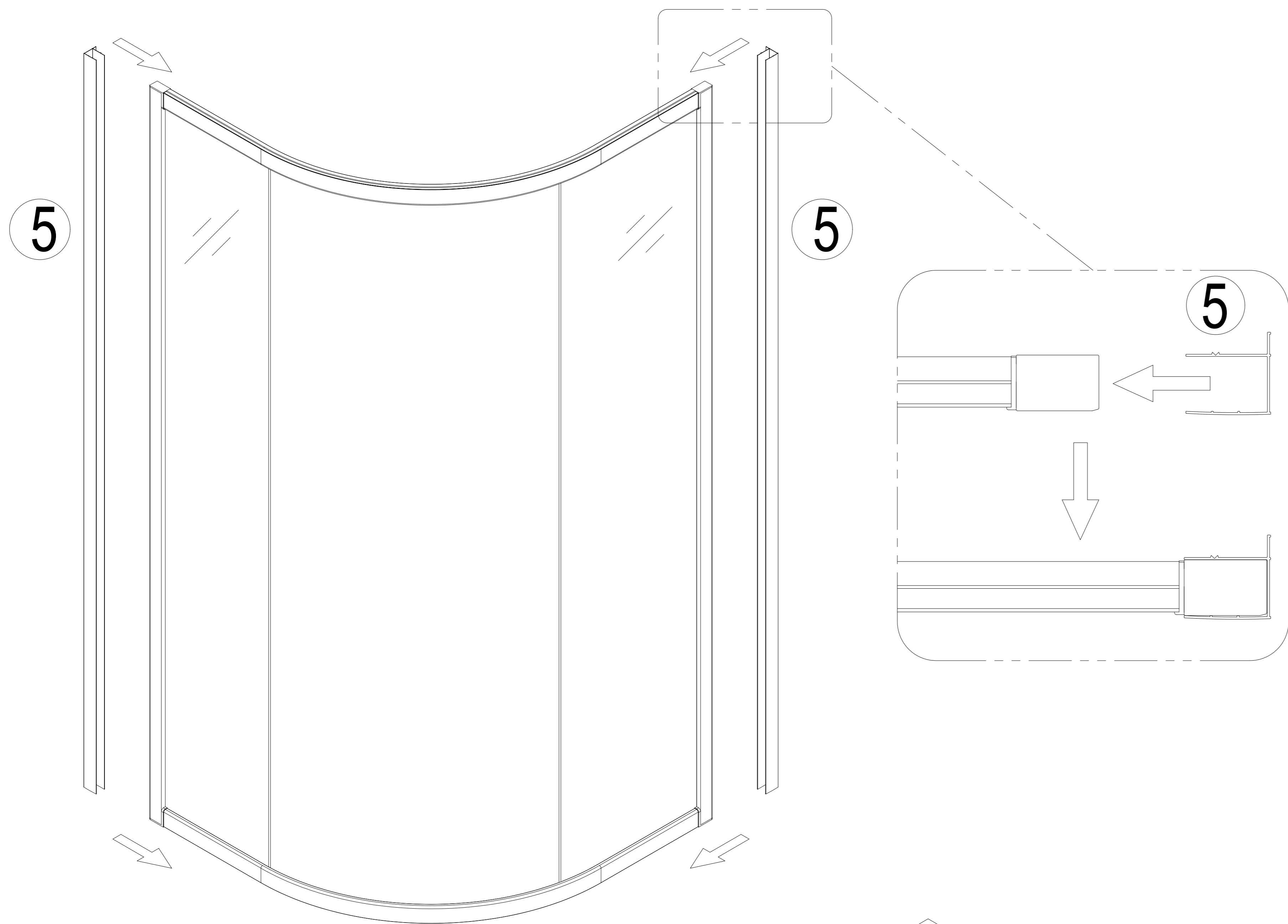
3



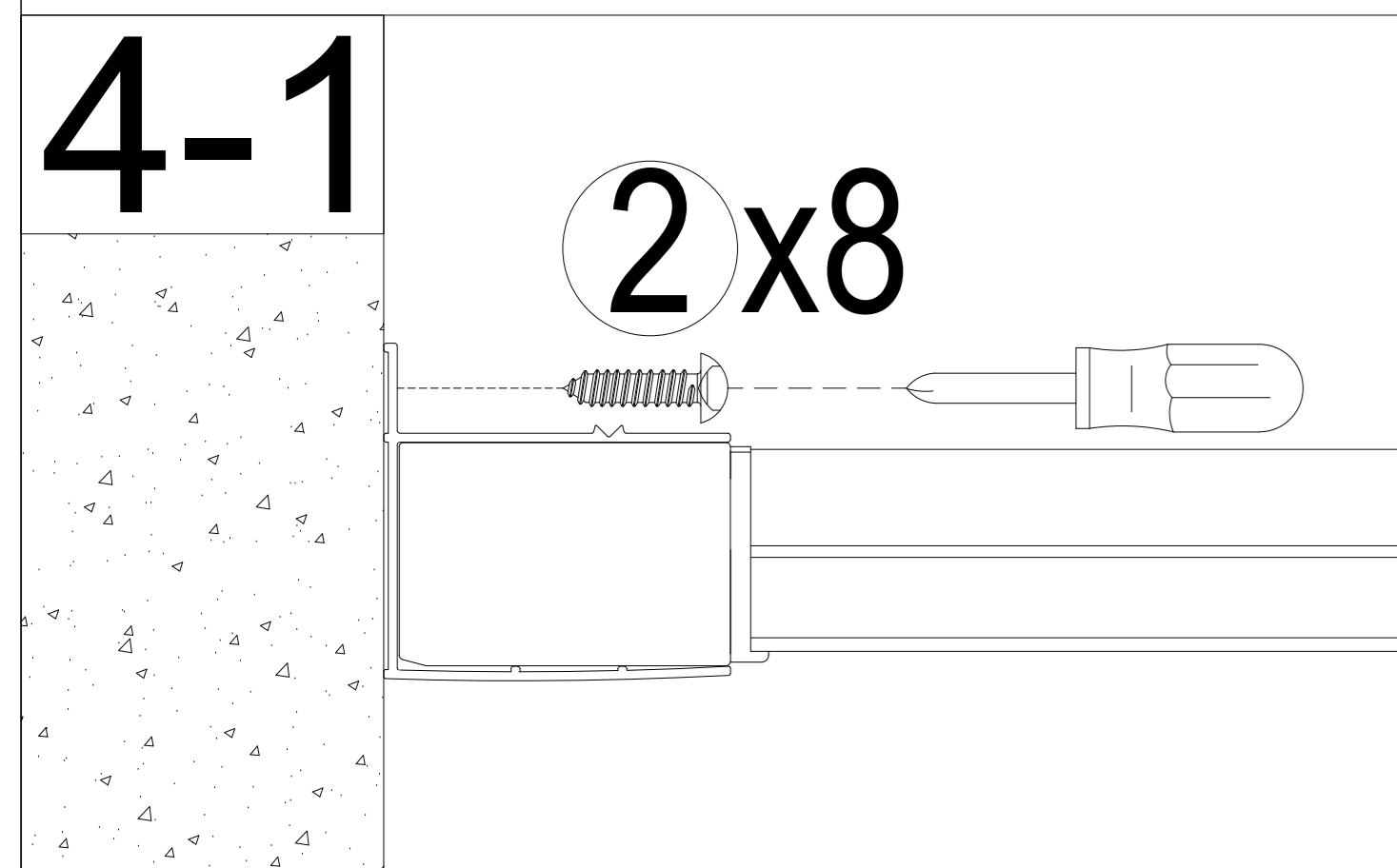
3



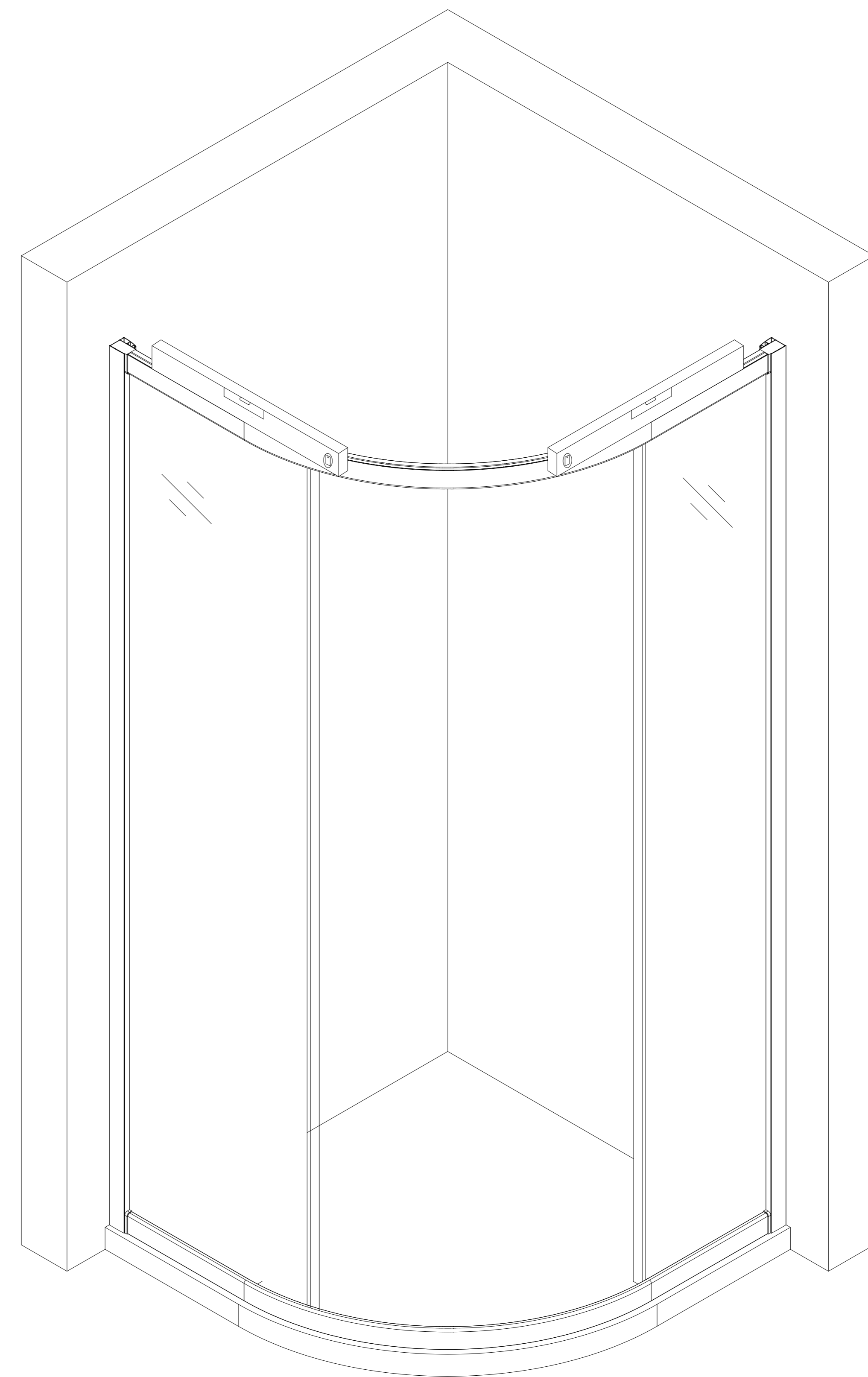
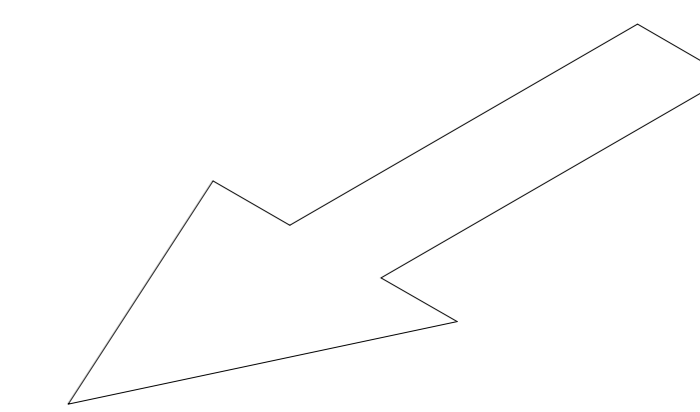
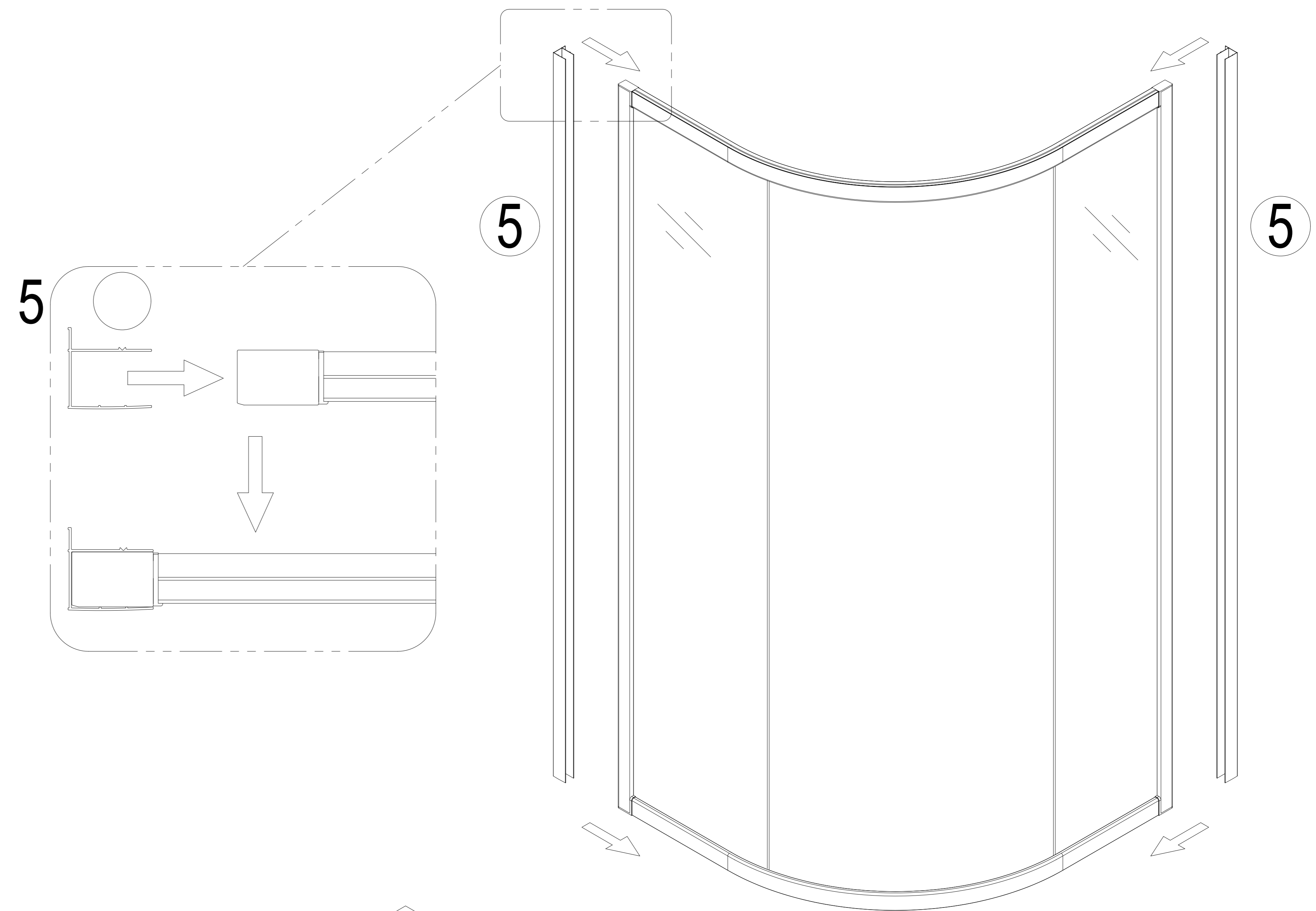
4



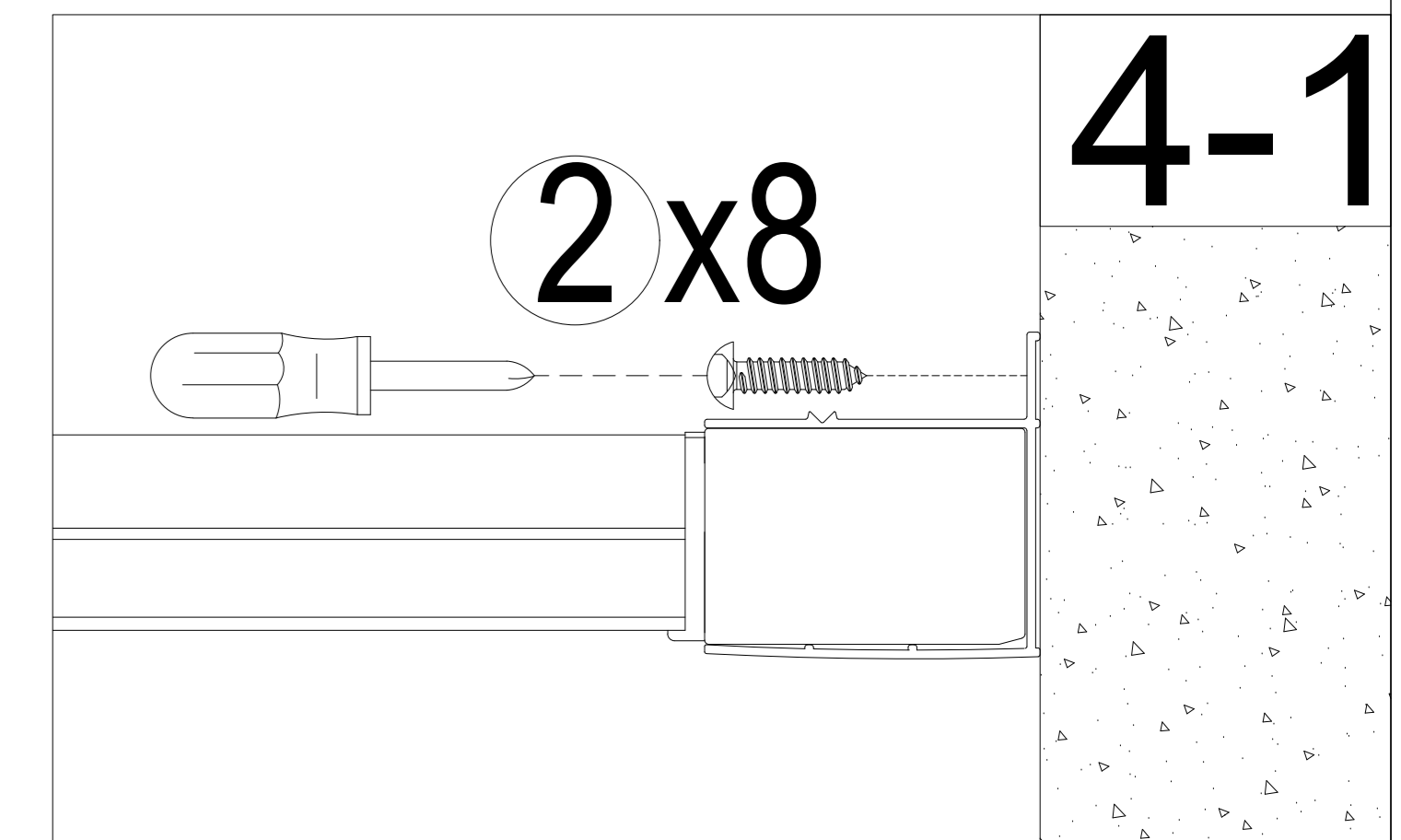
4-1



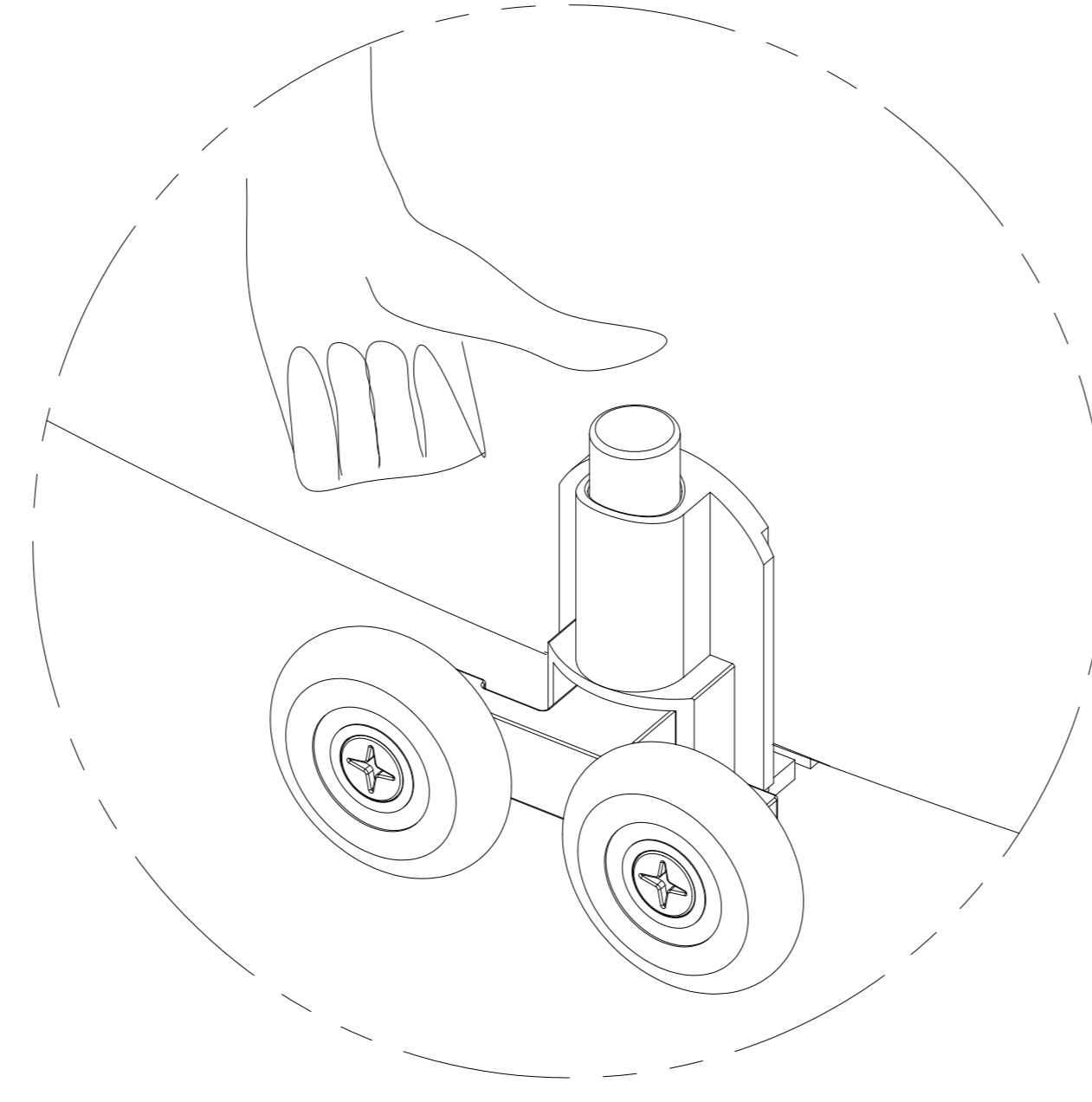
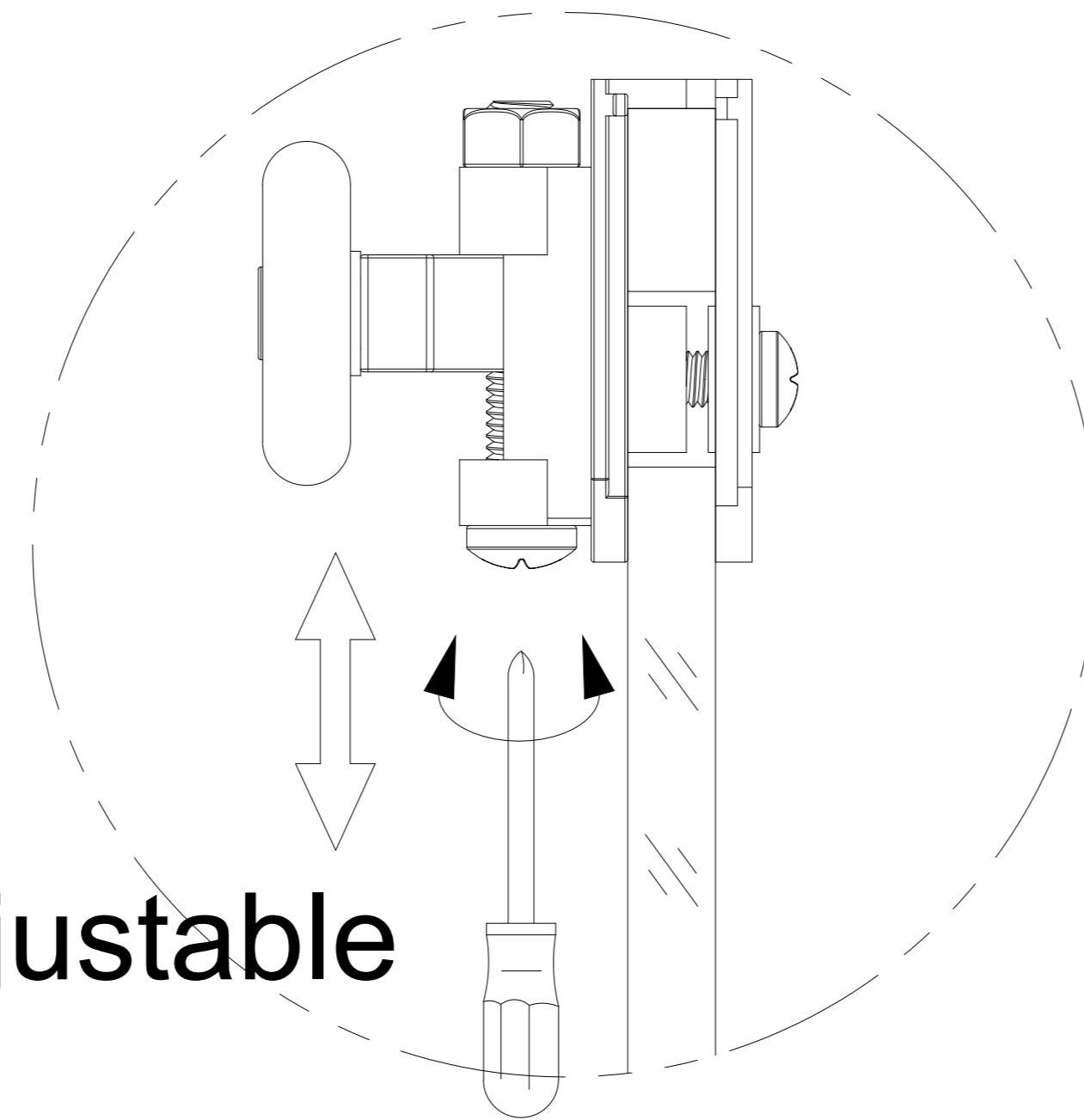
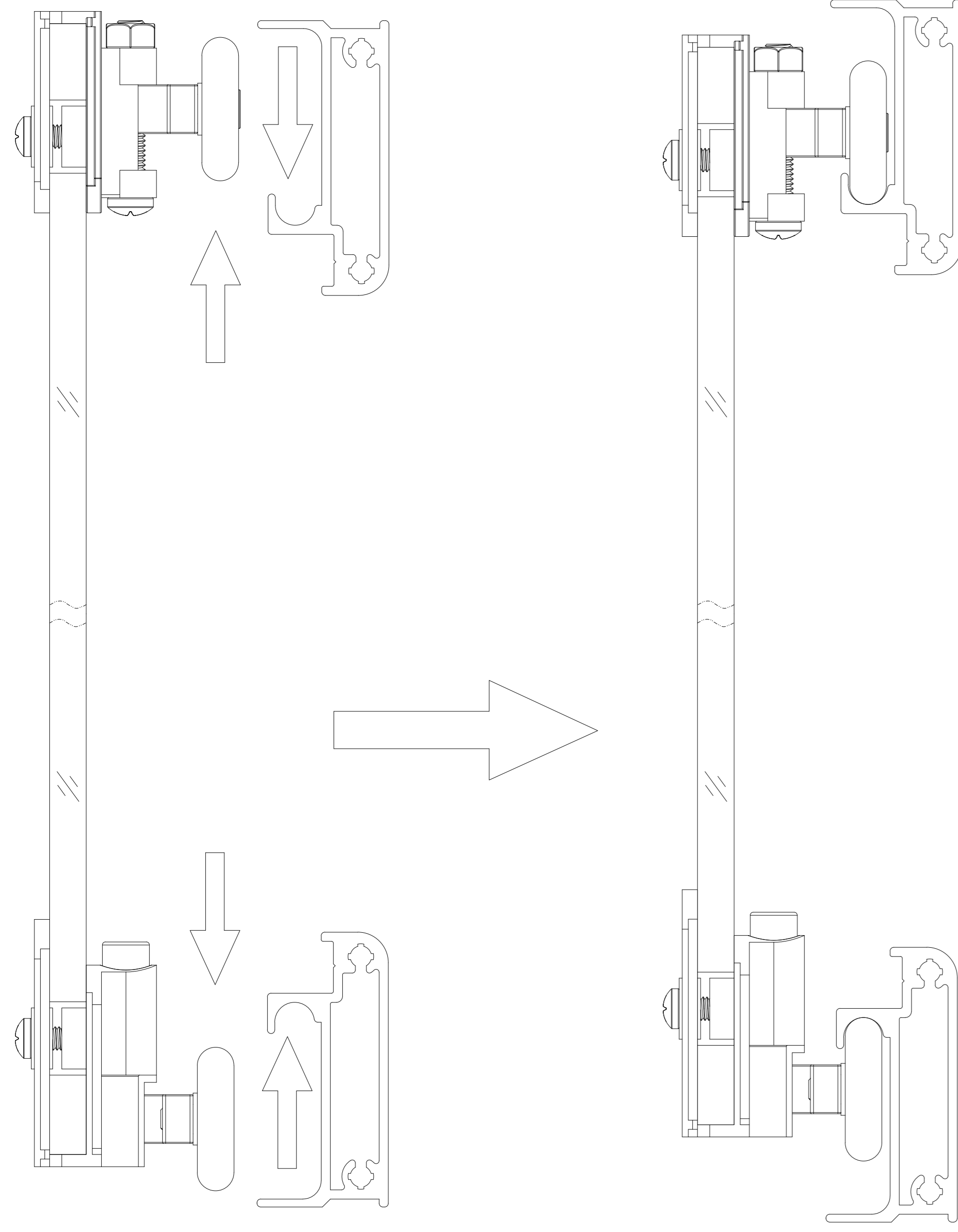
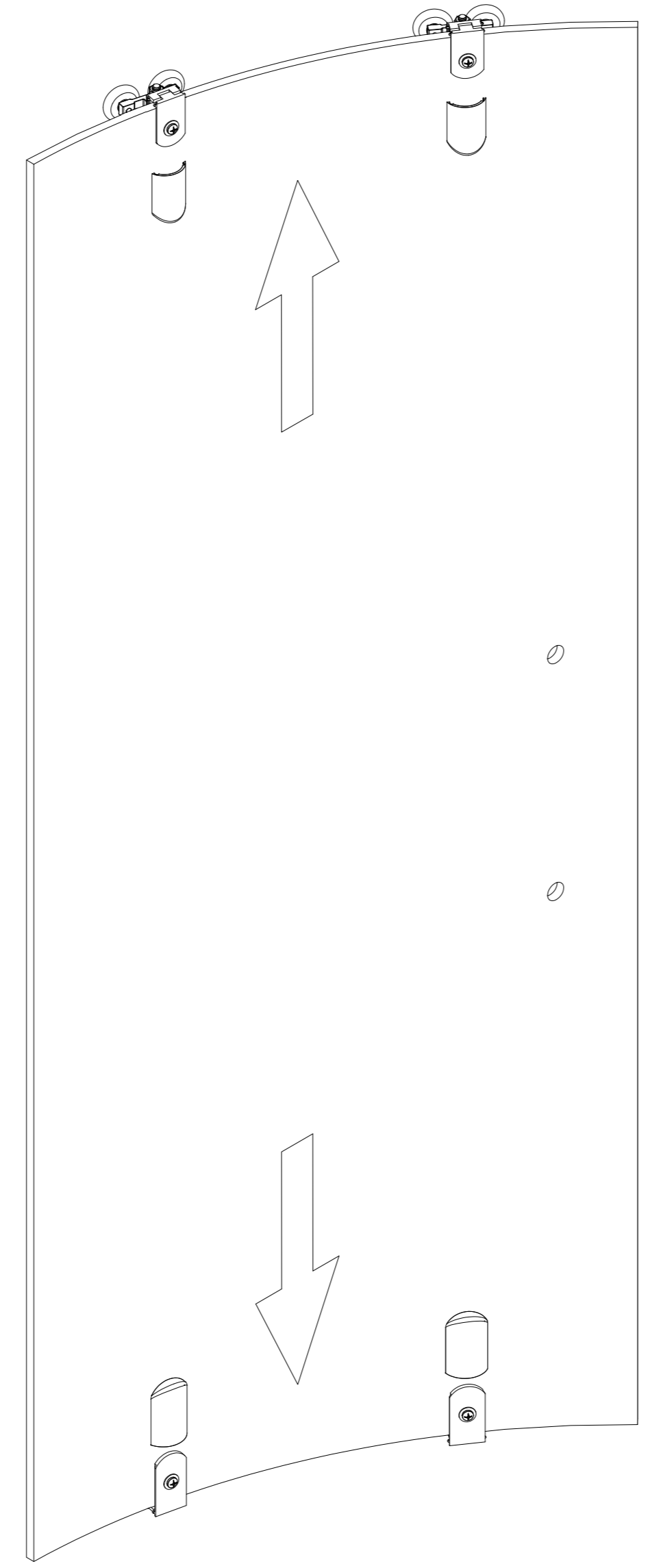
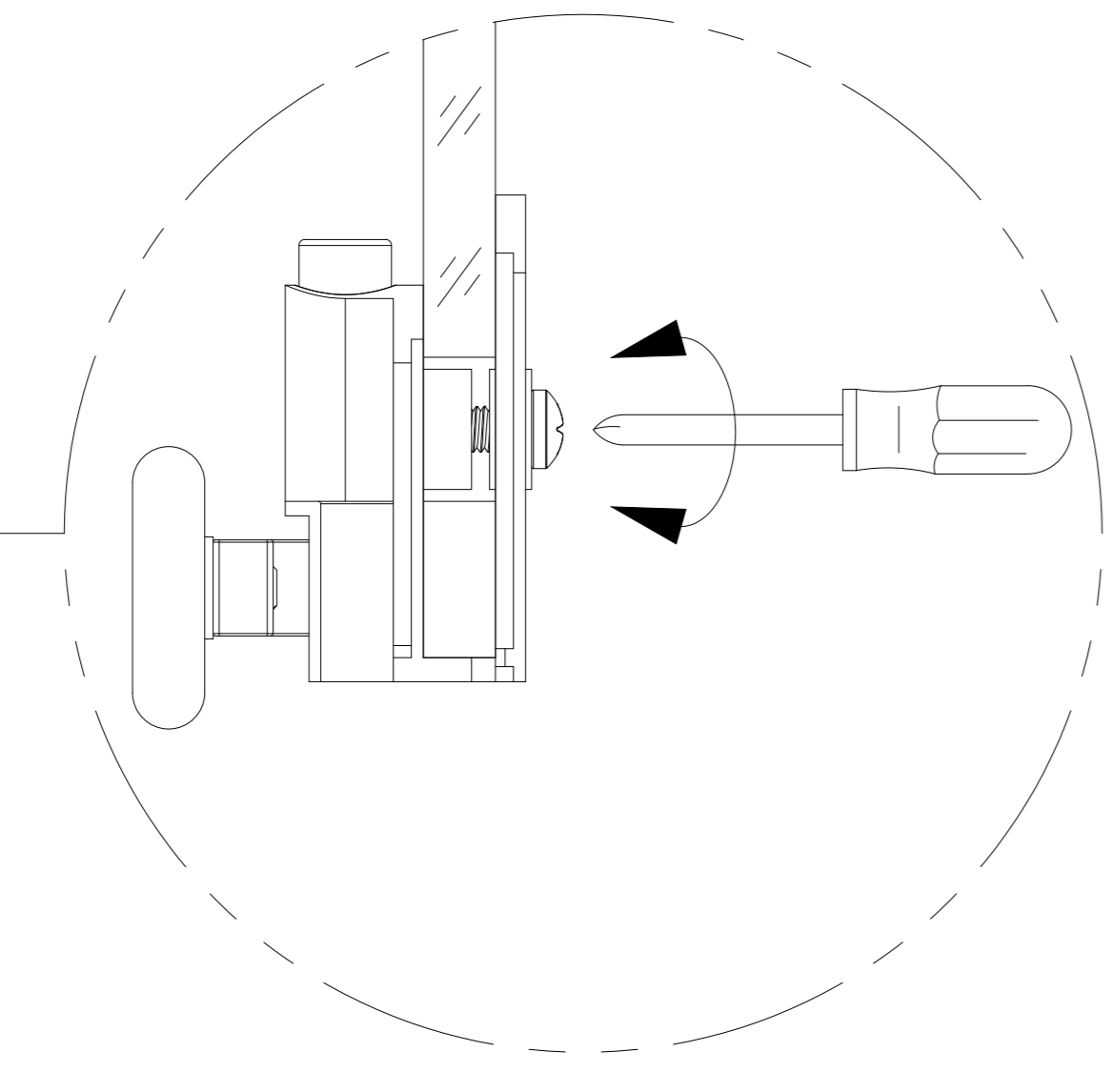
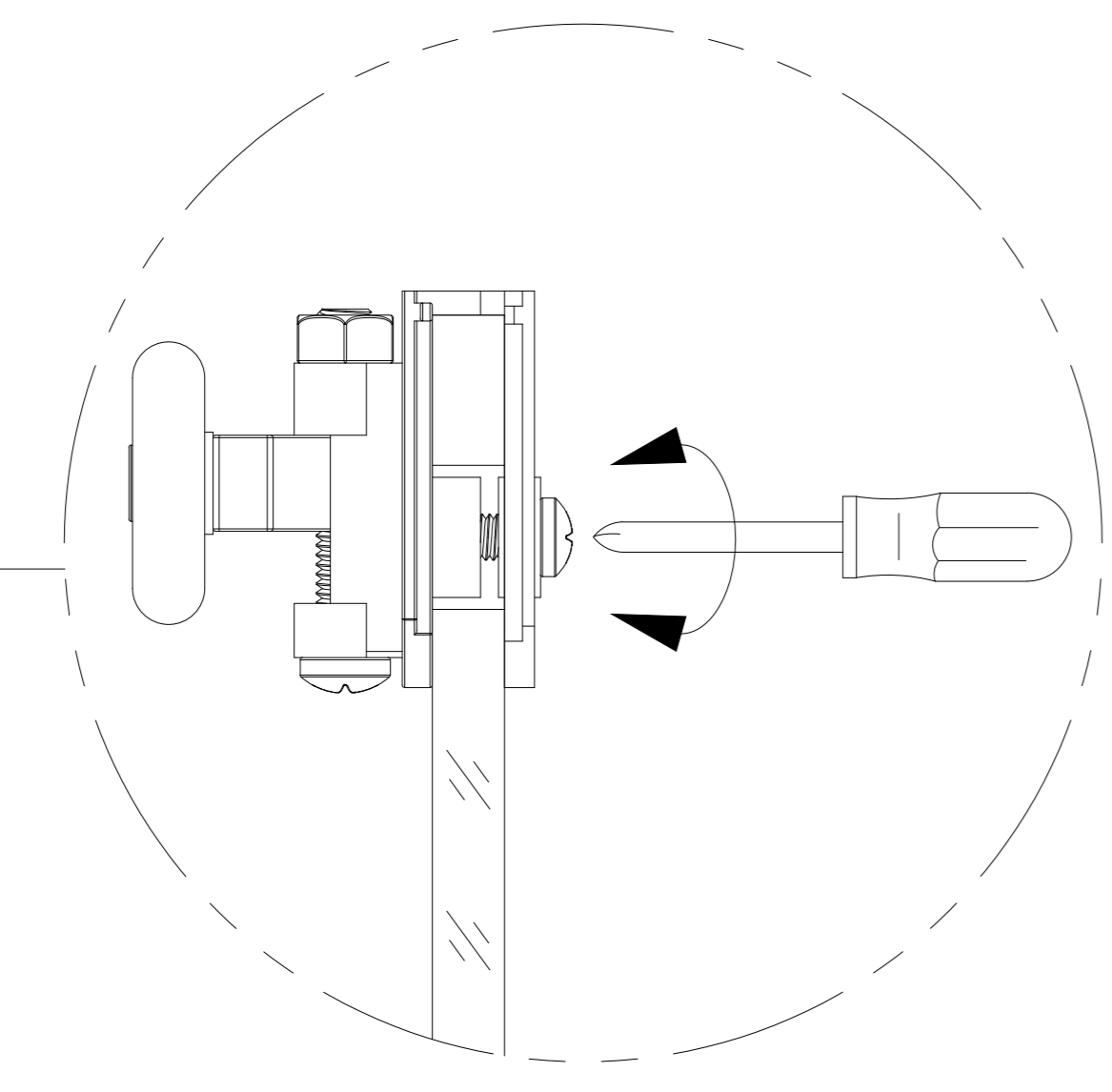
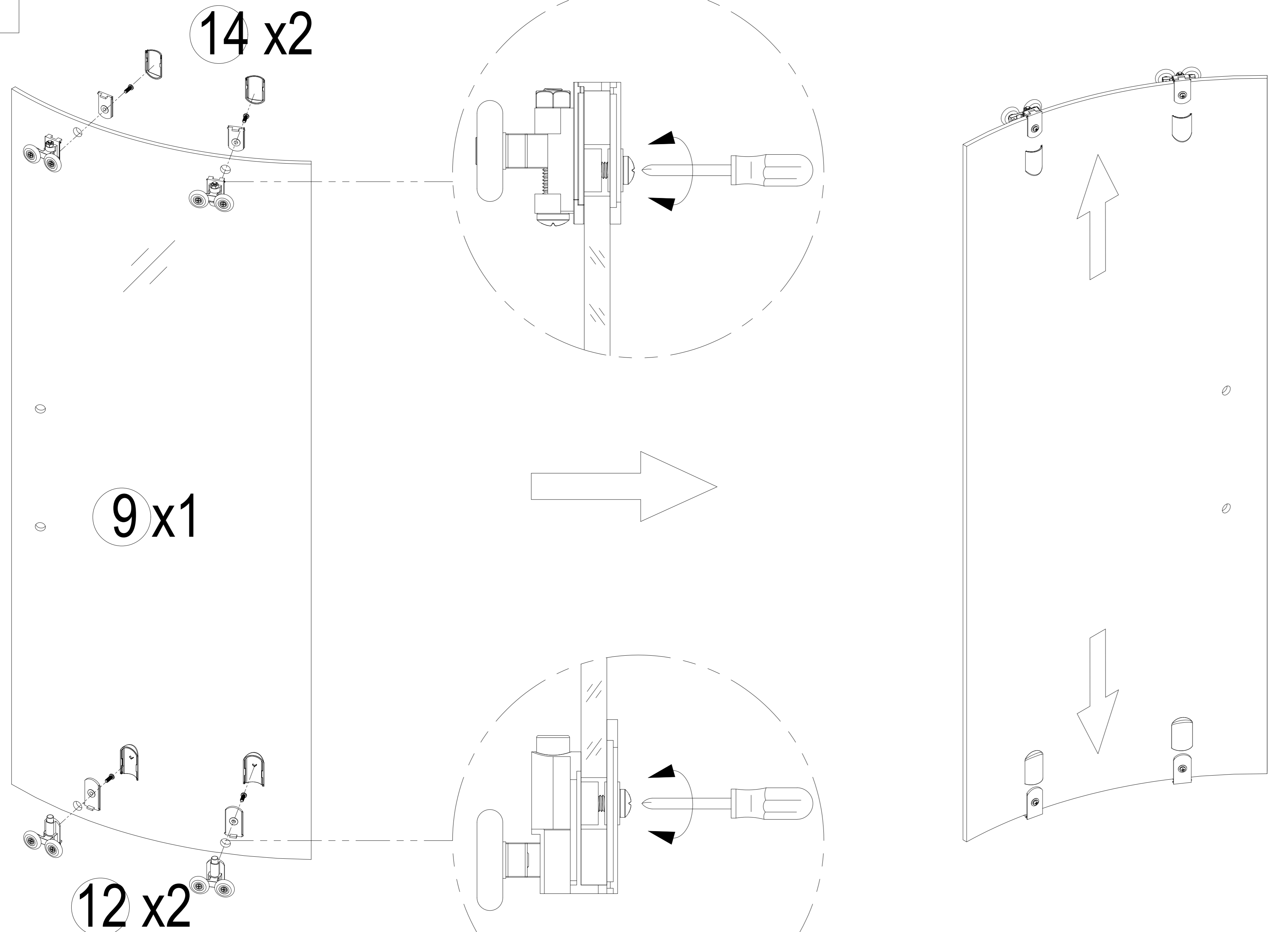
4



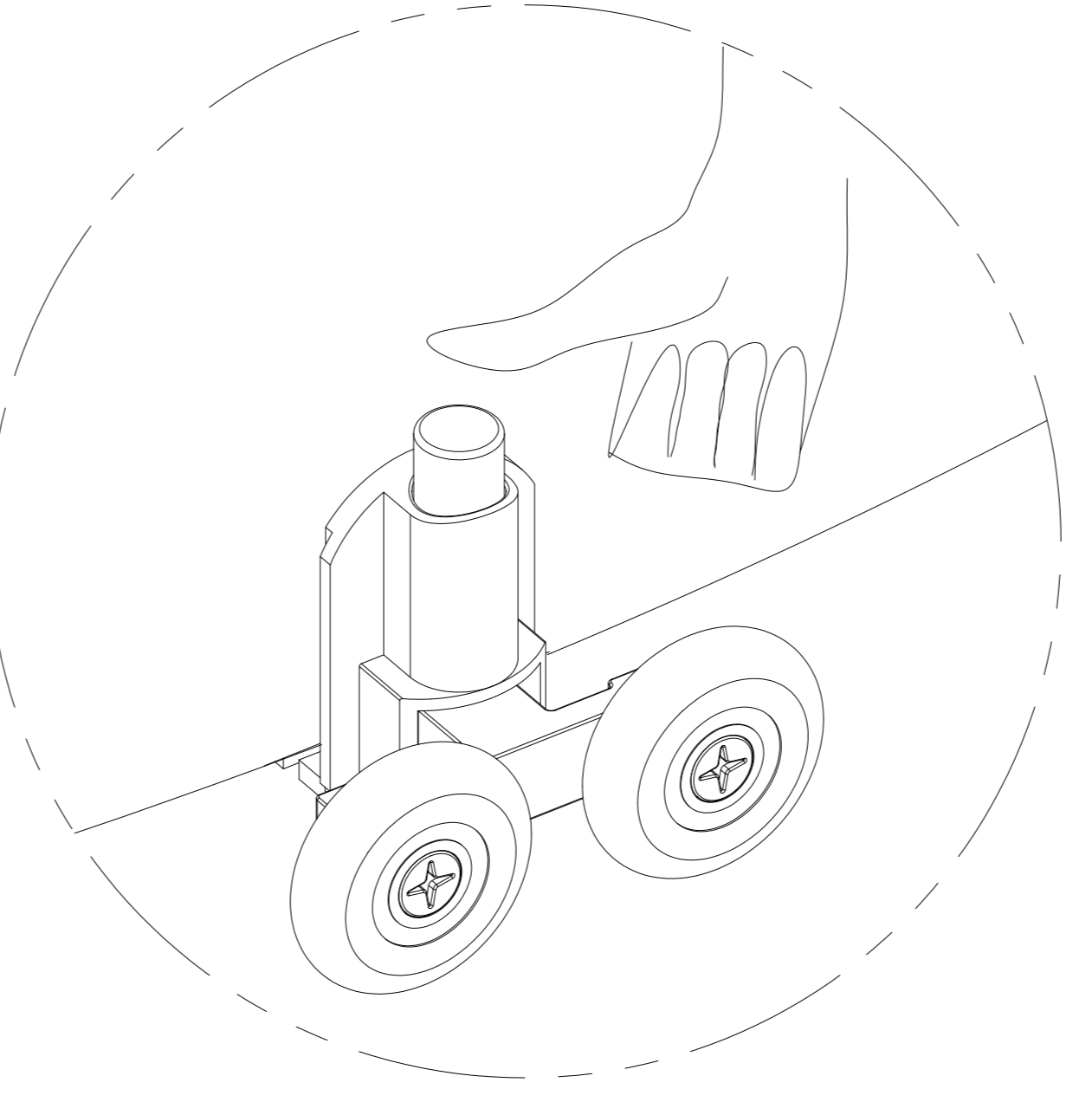
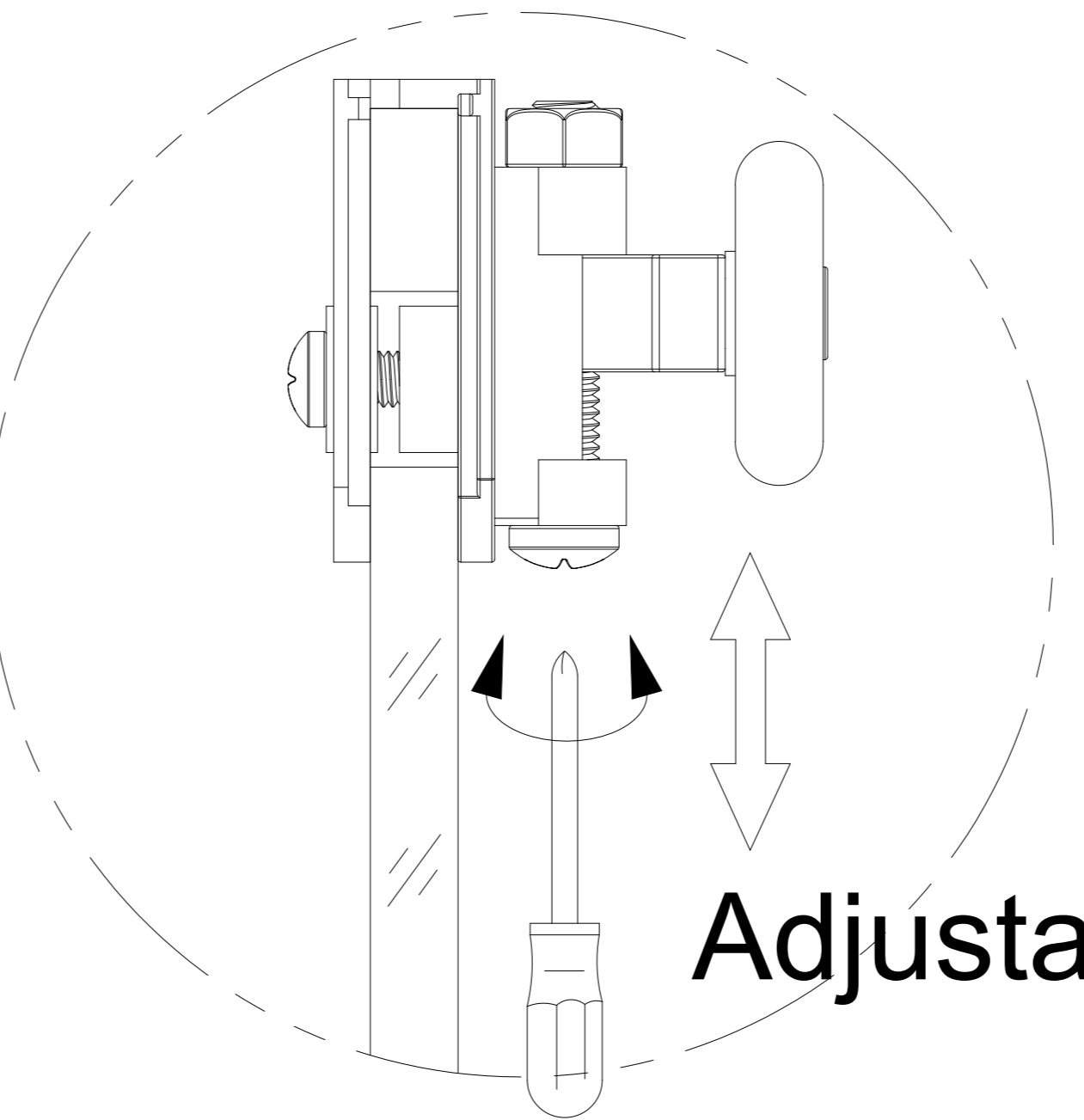
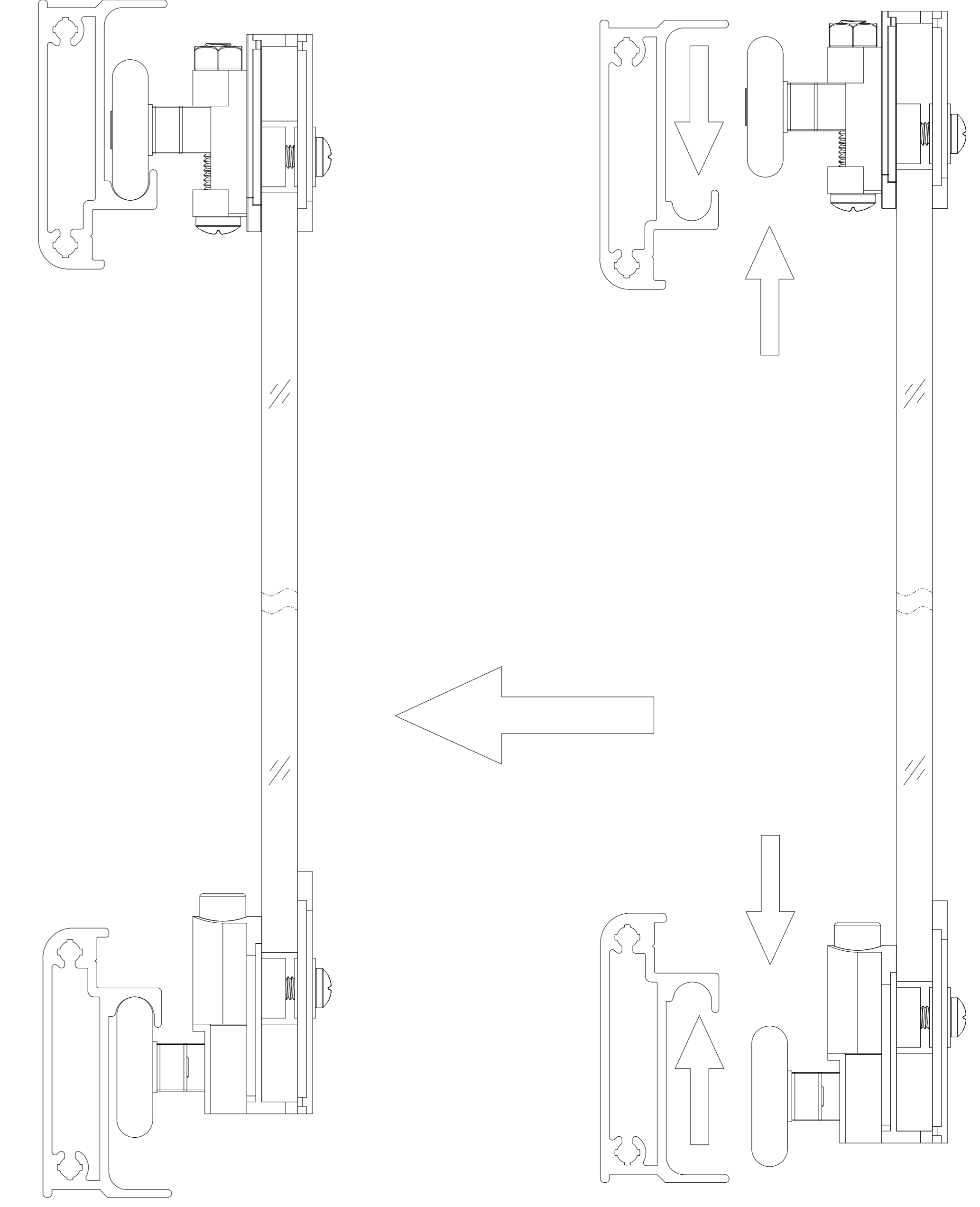
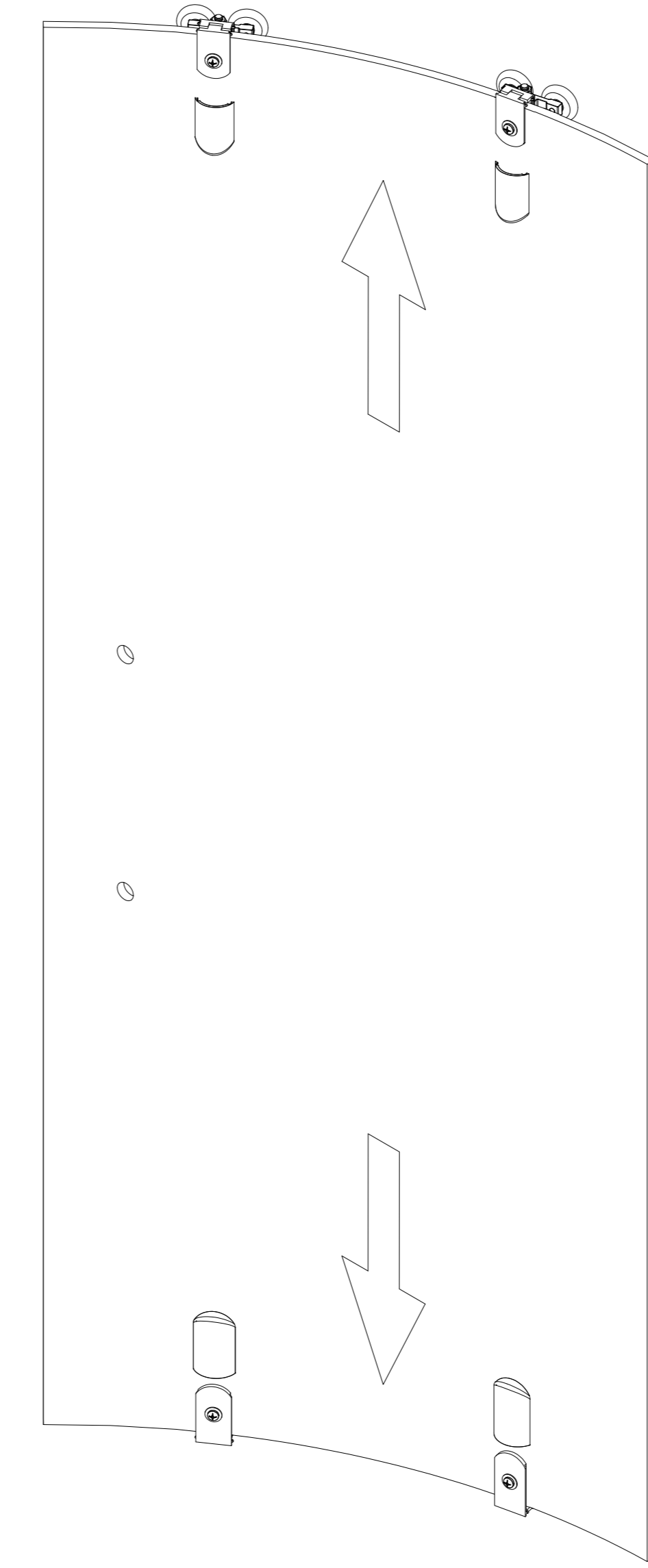
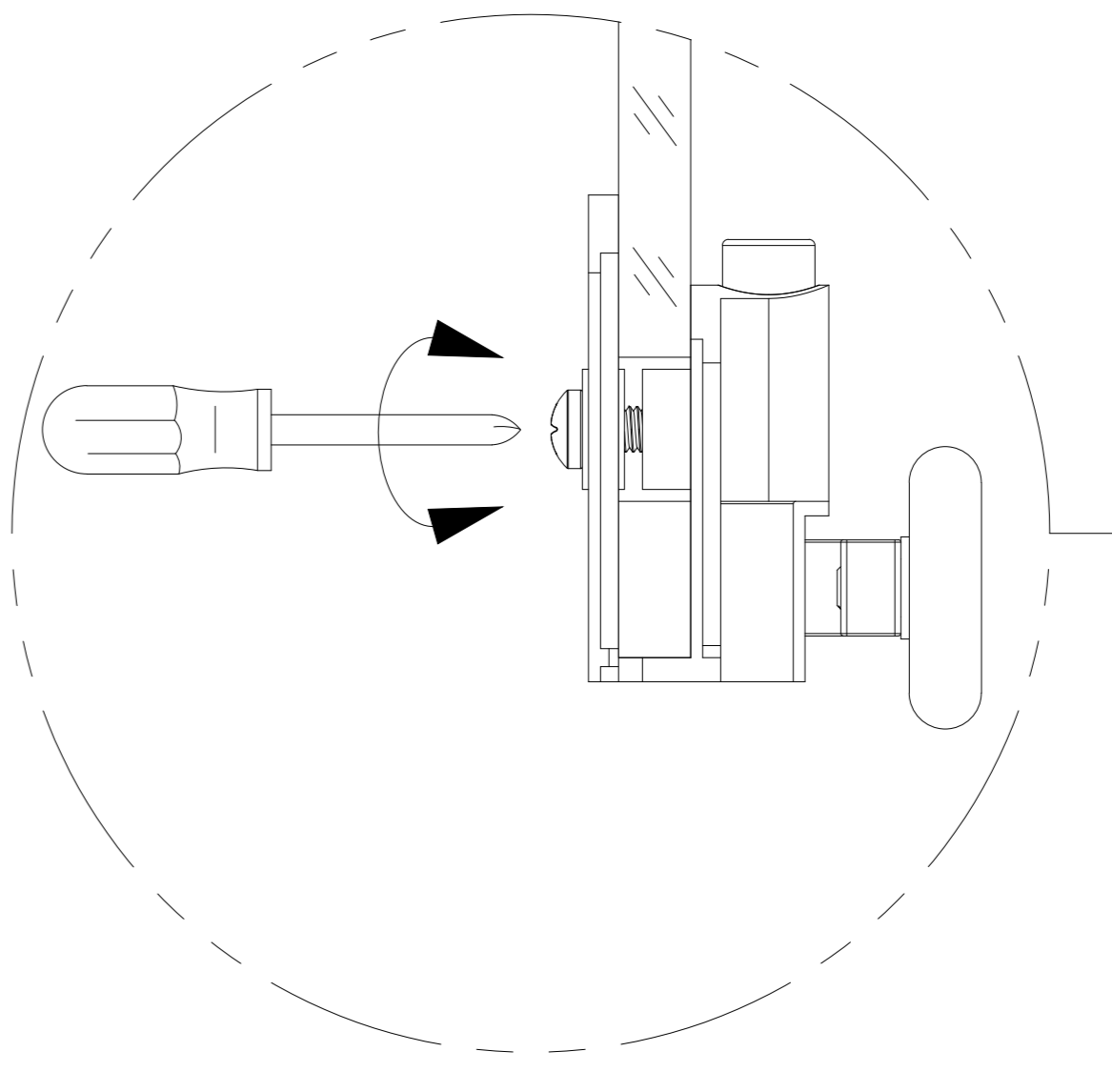
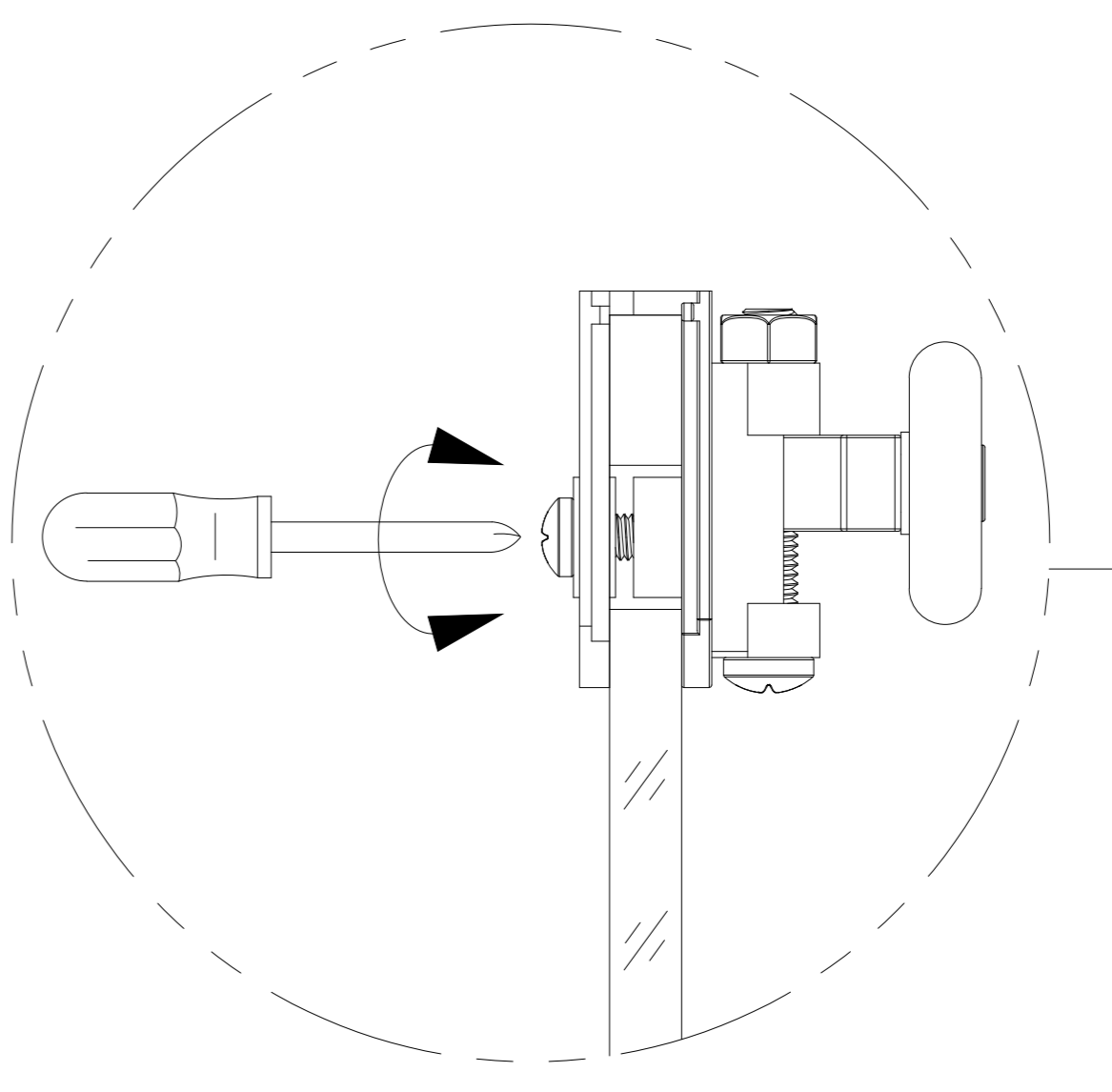
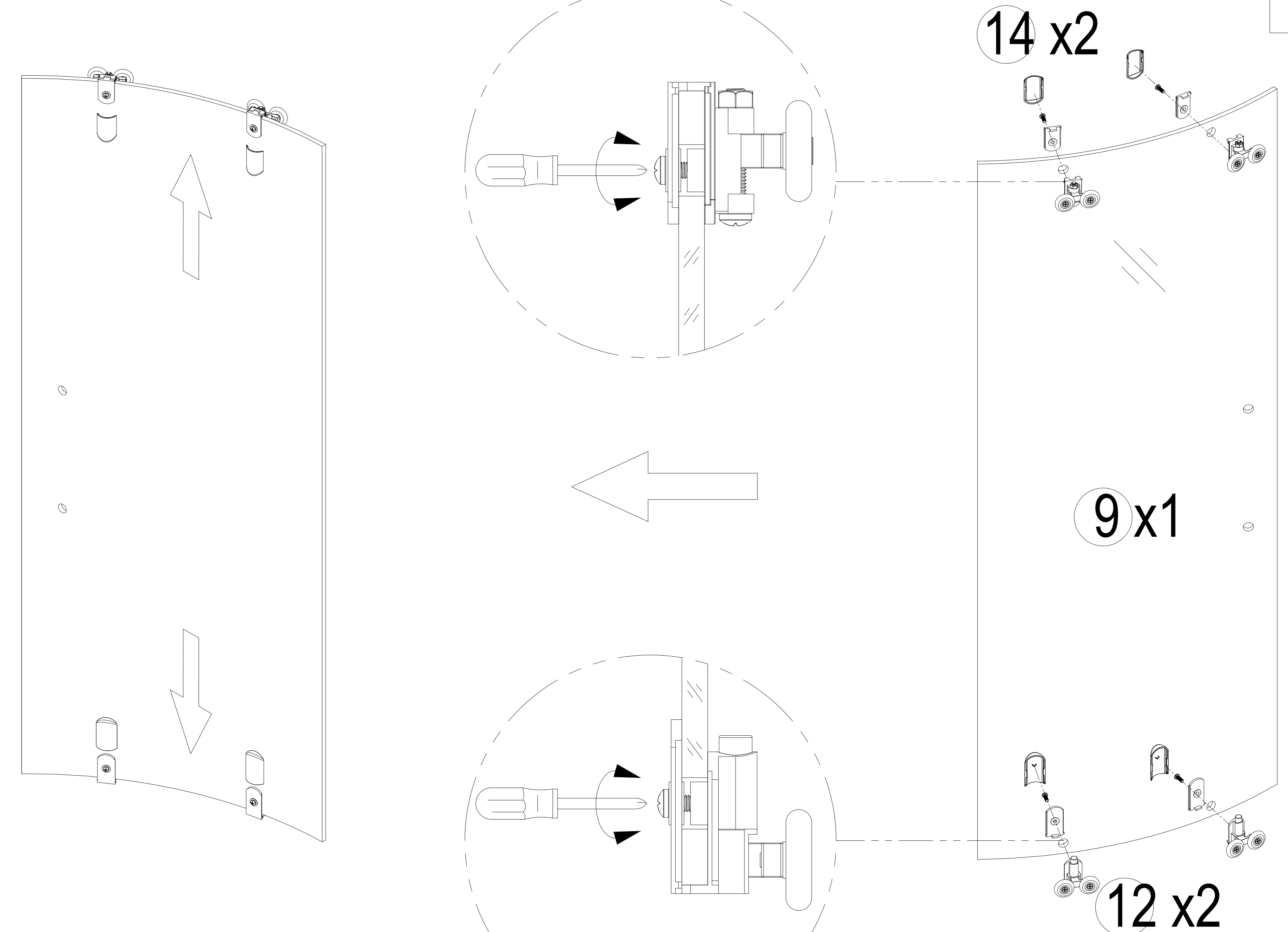
4-1



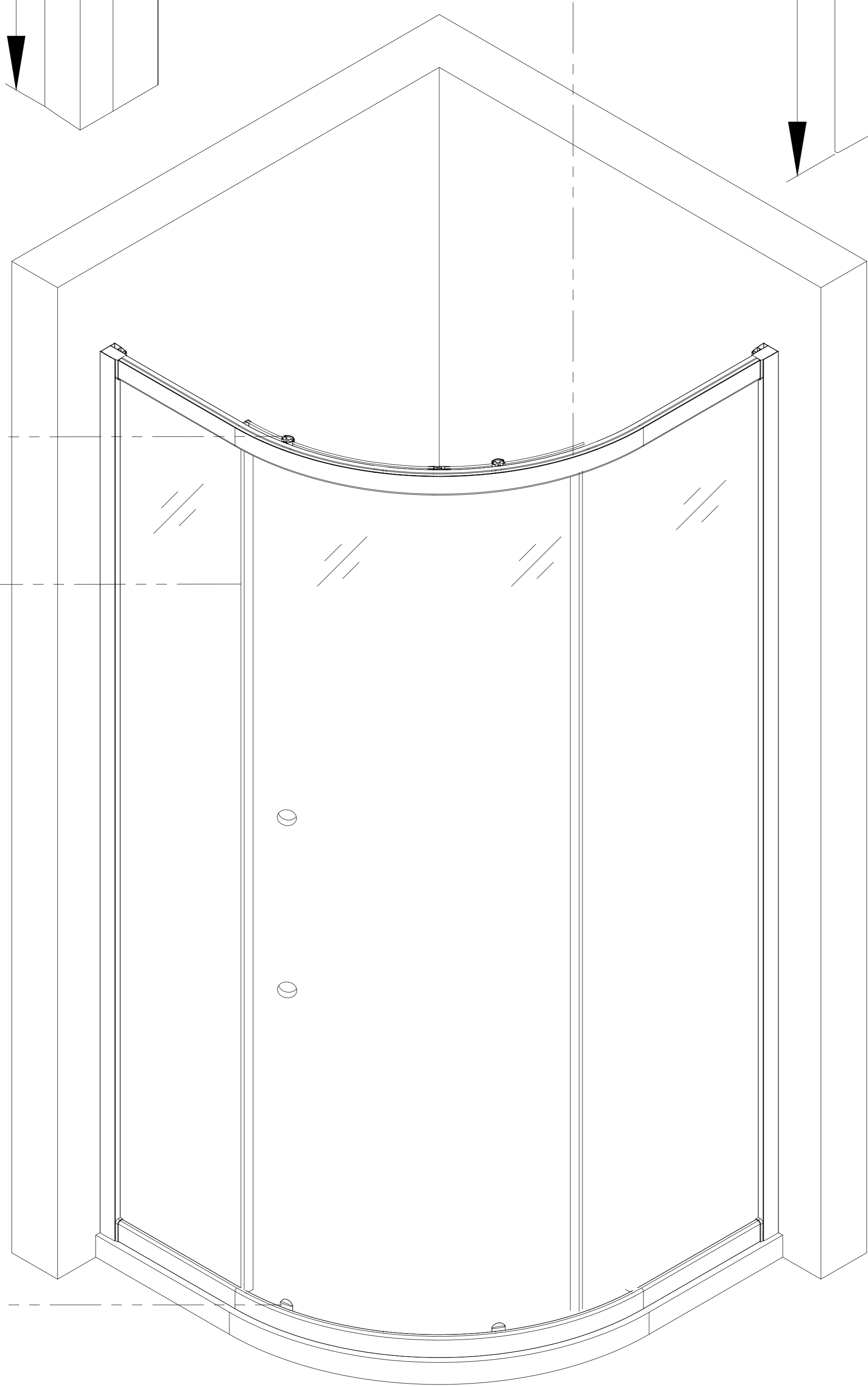
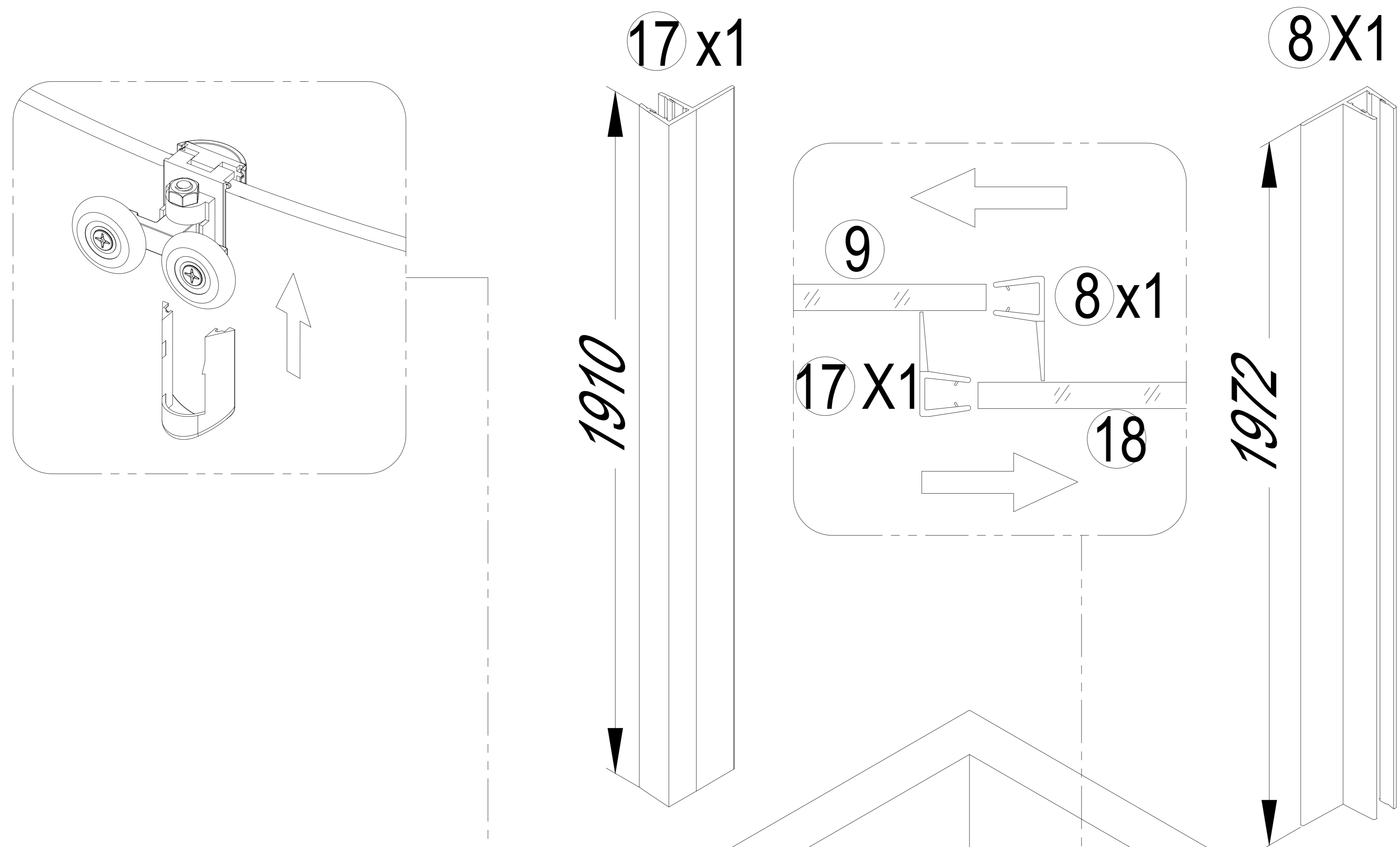
5



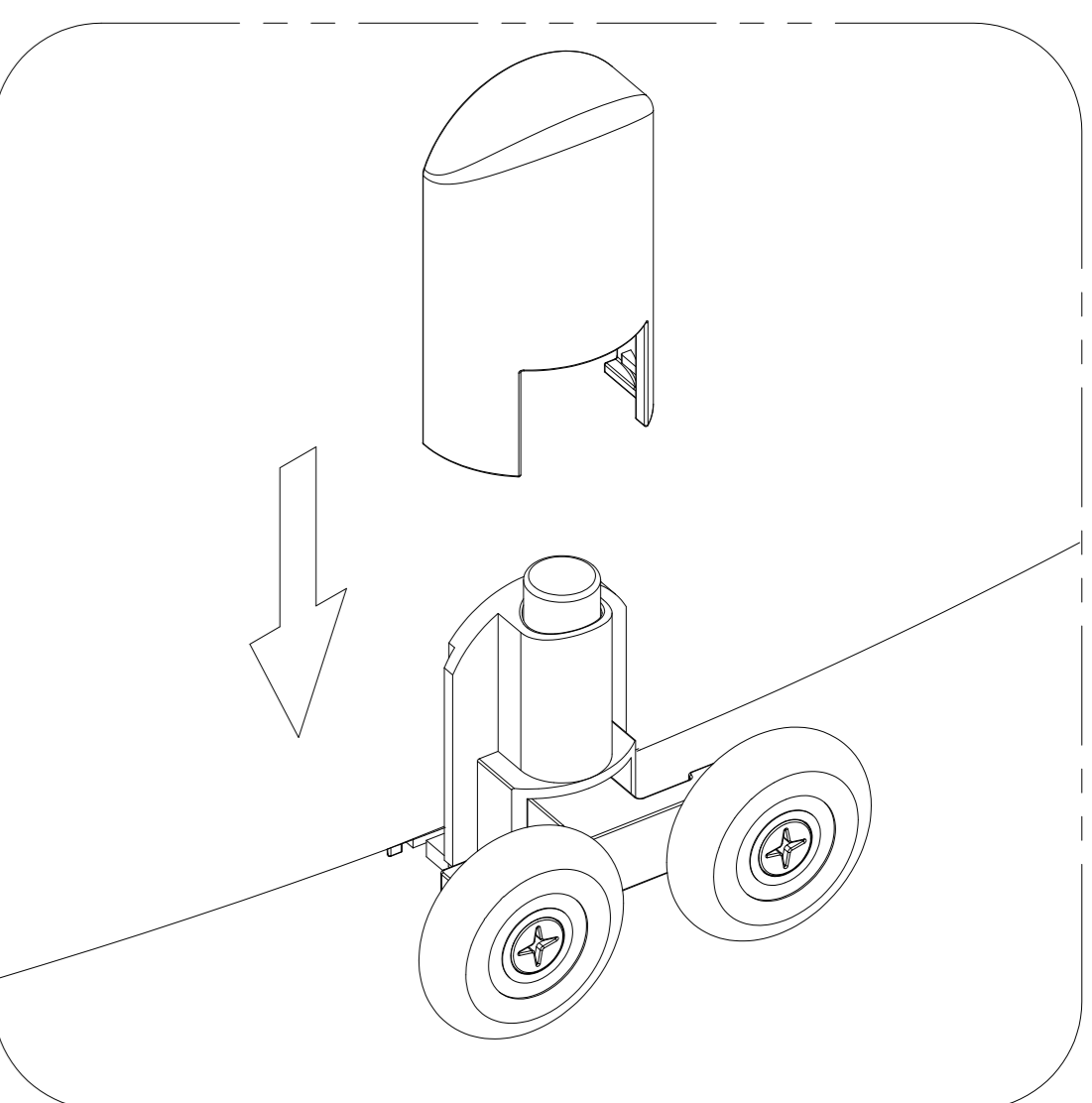
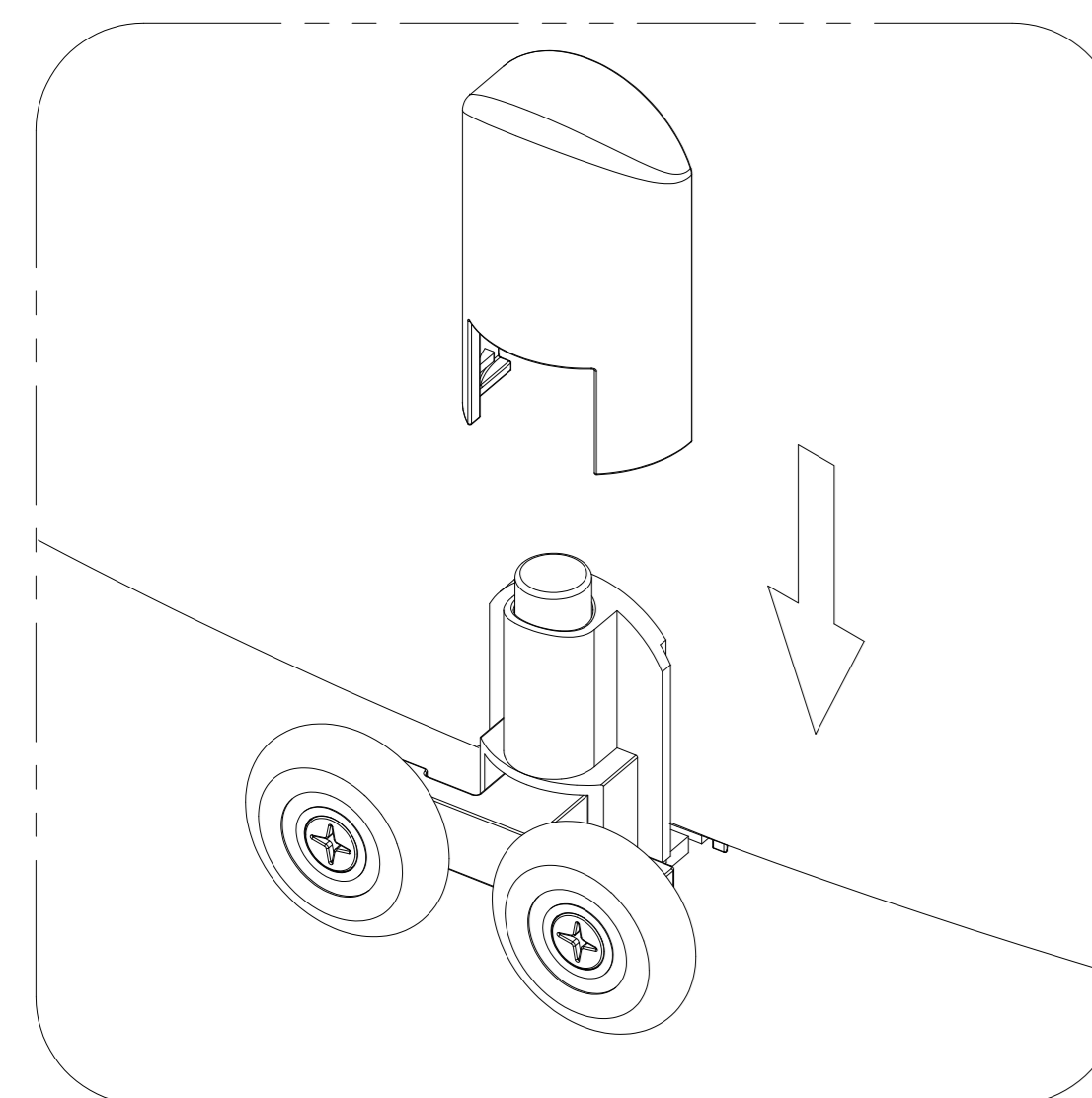
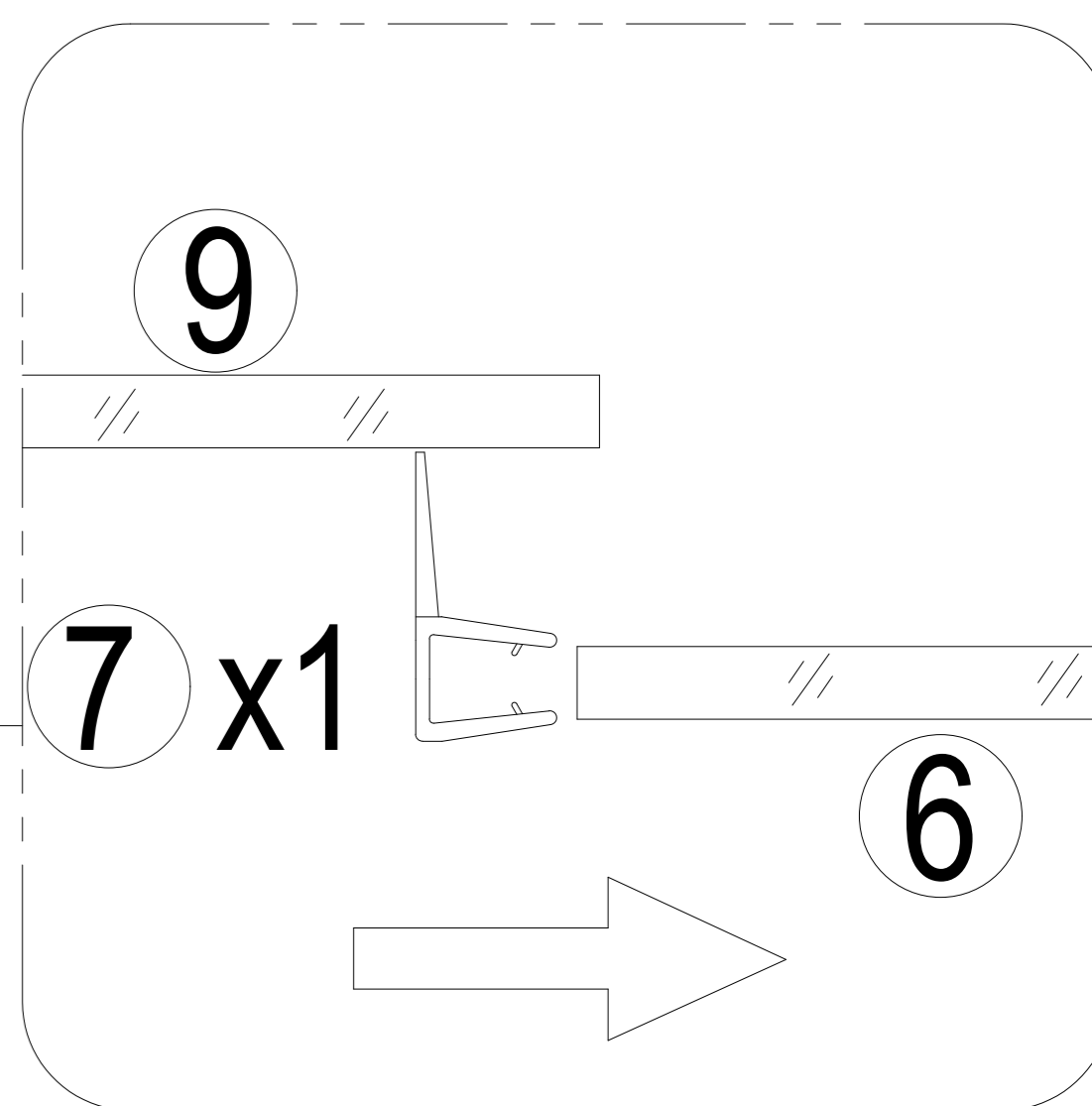
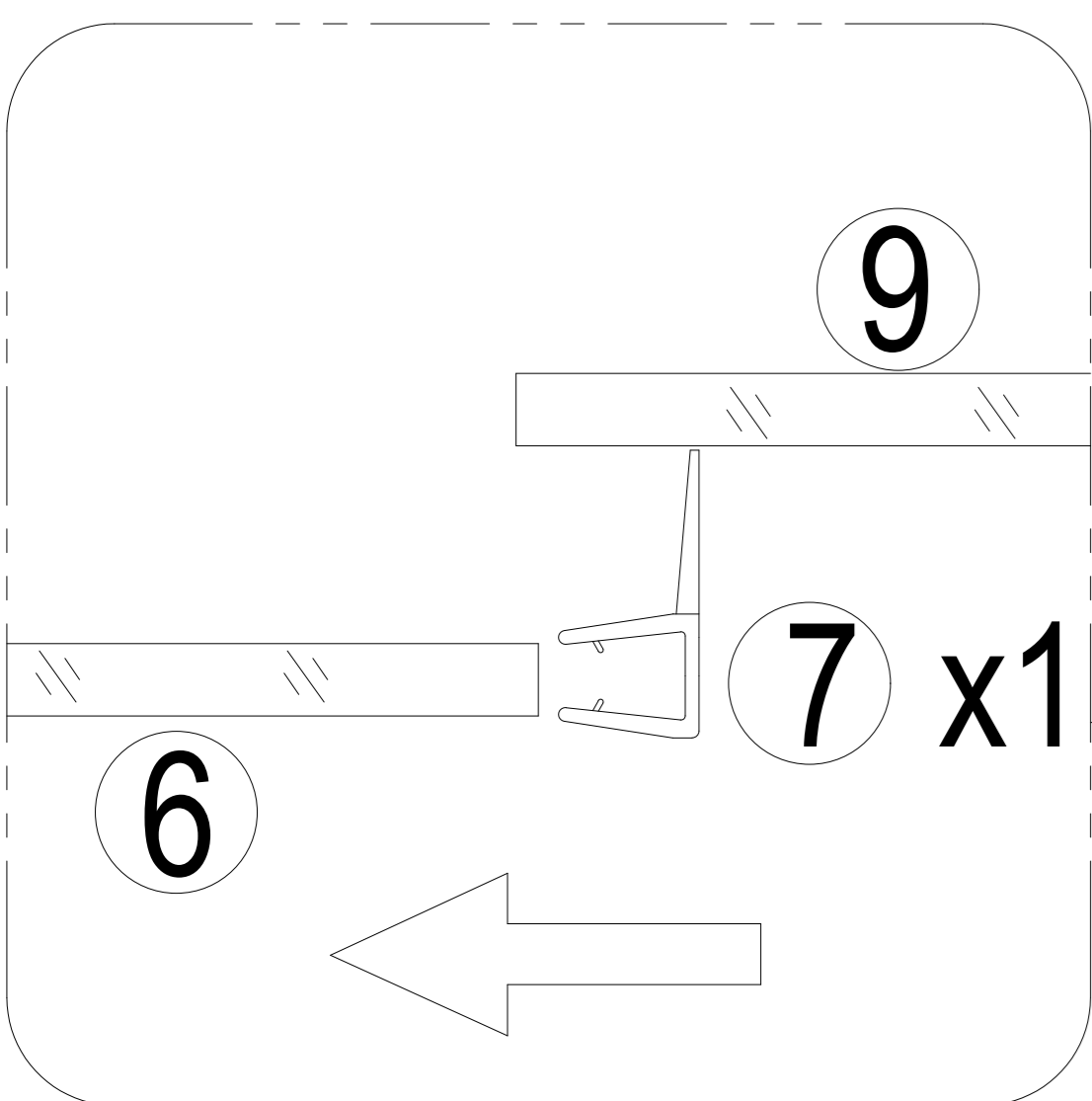
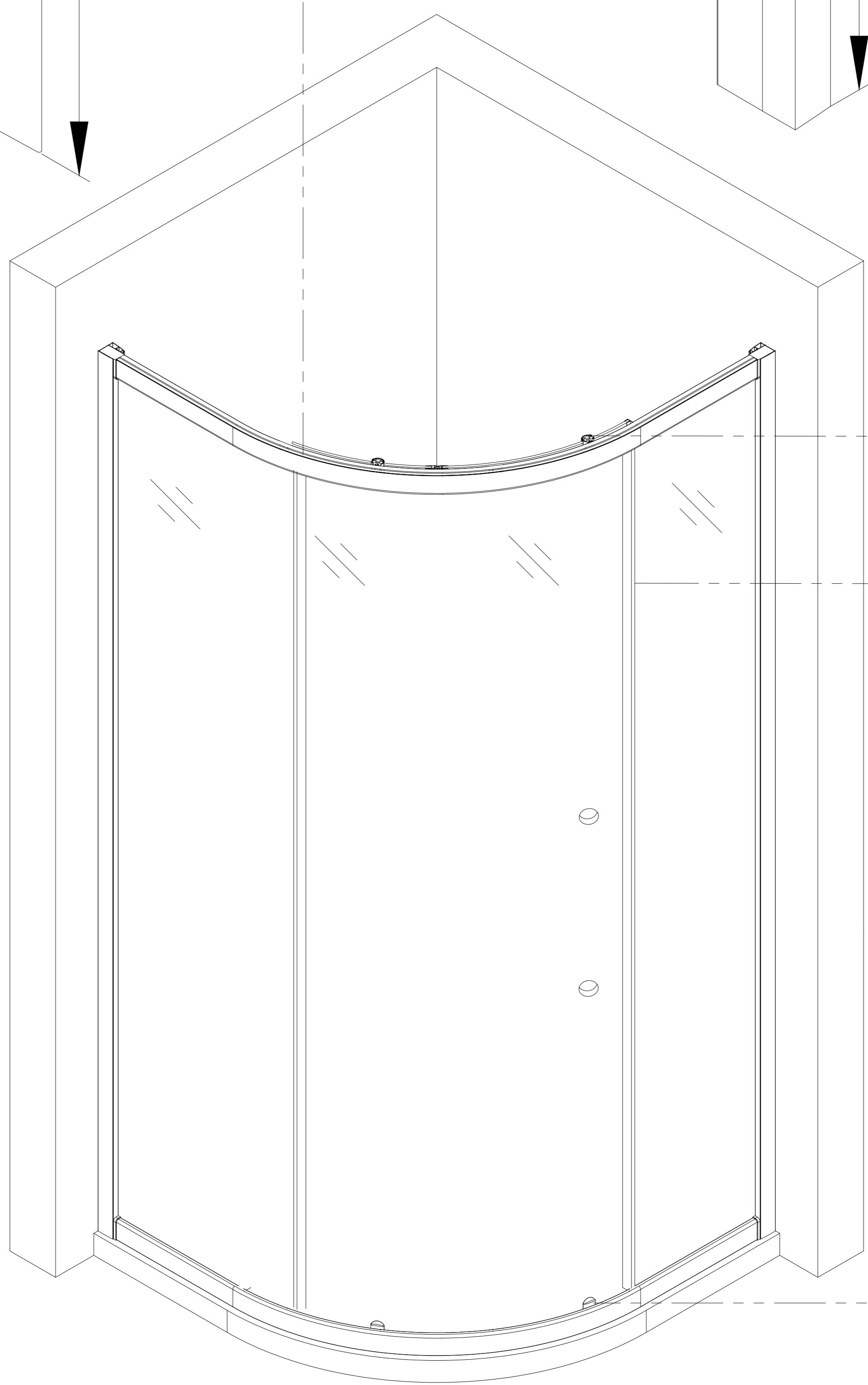
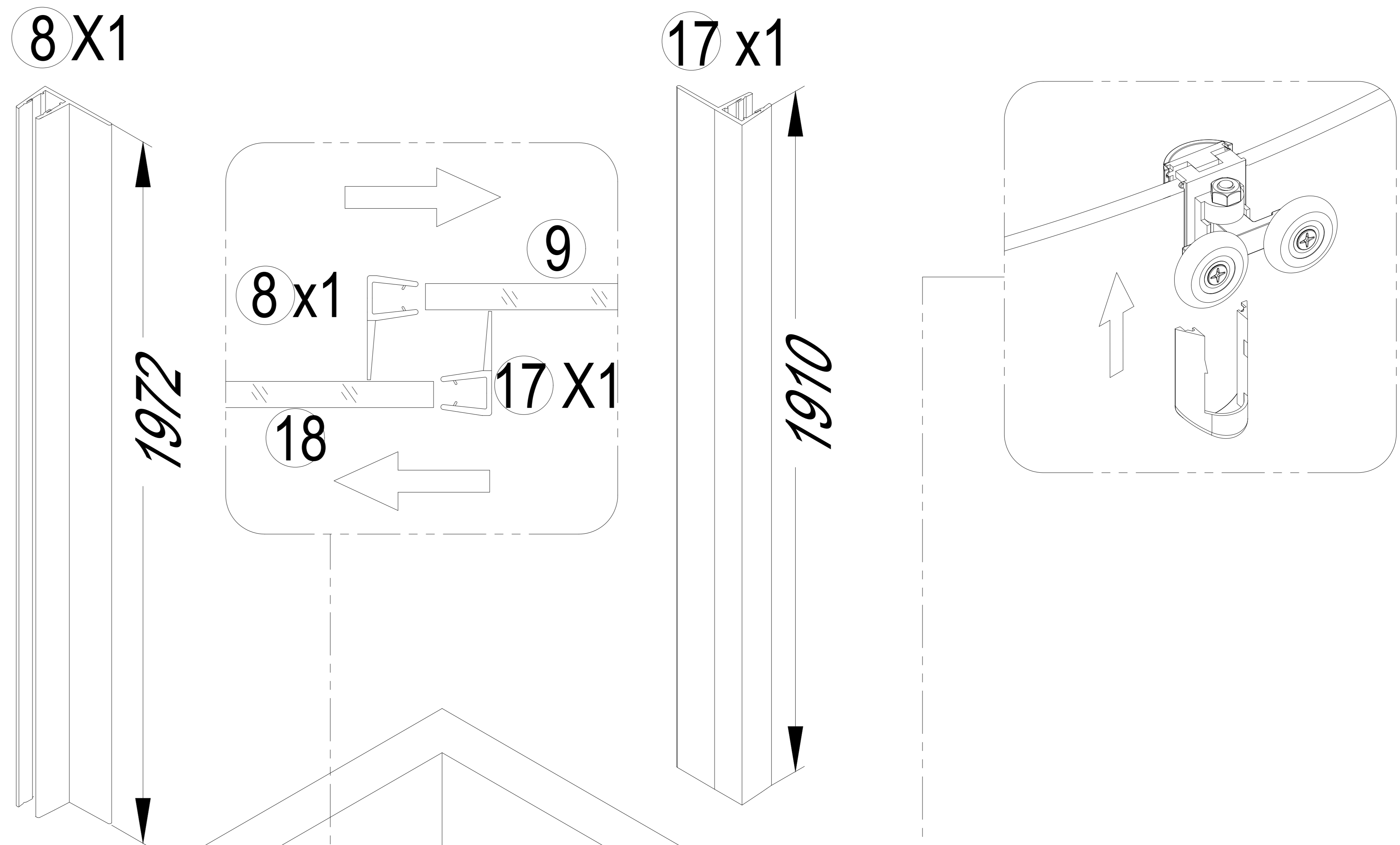
5



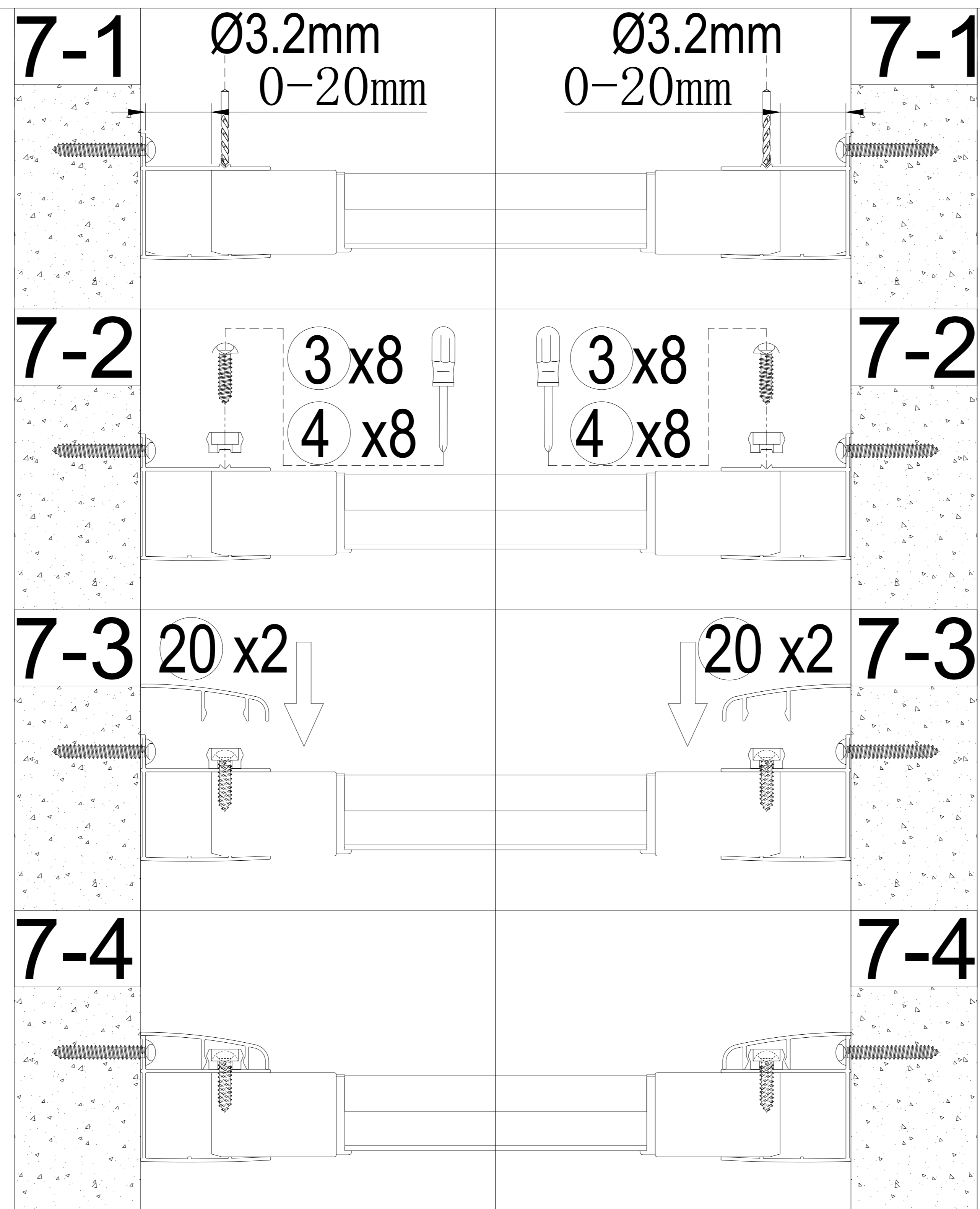
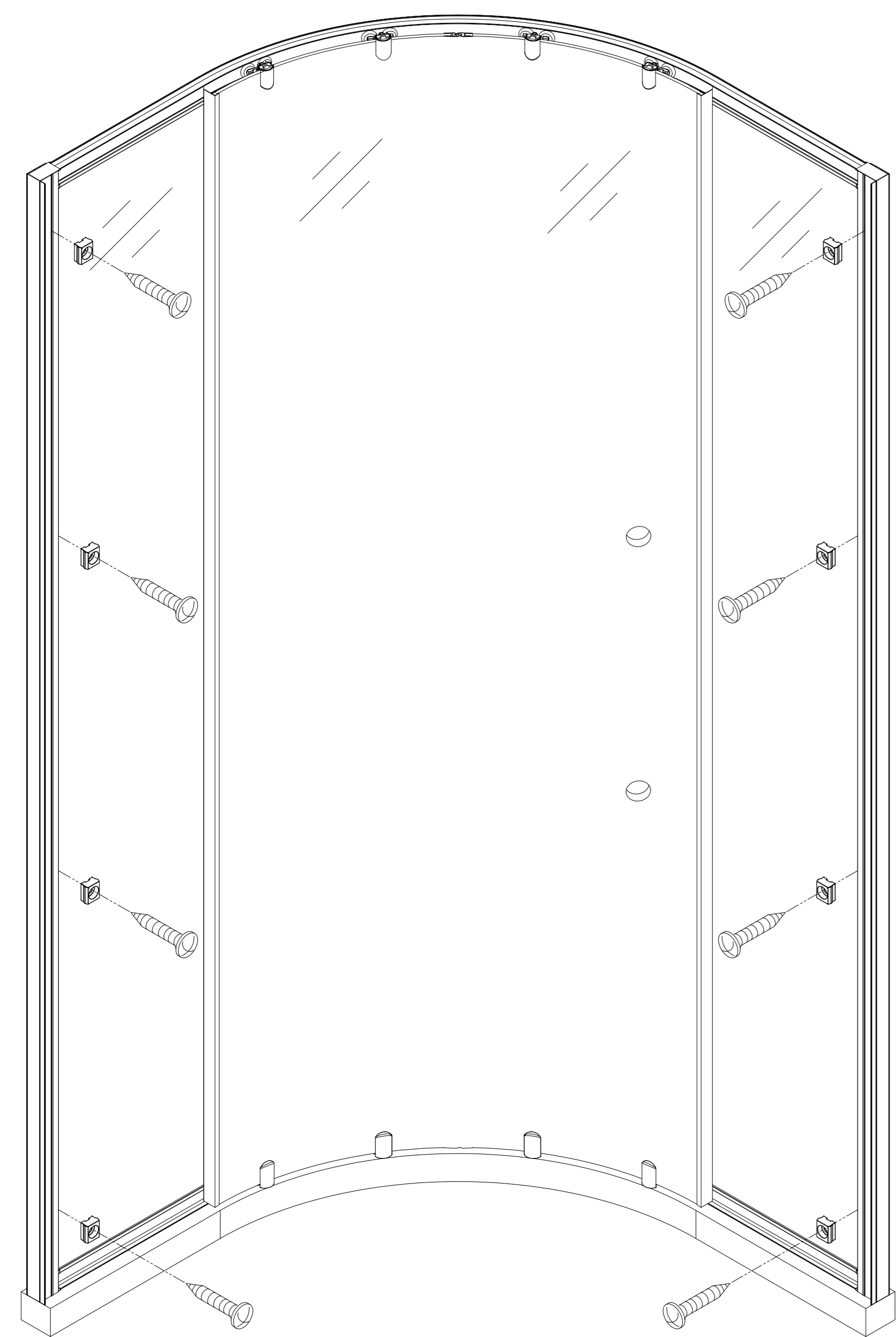
6



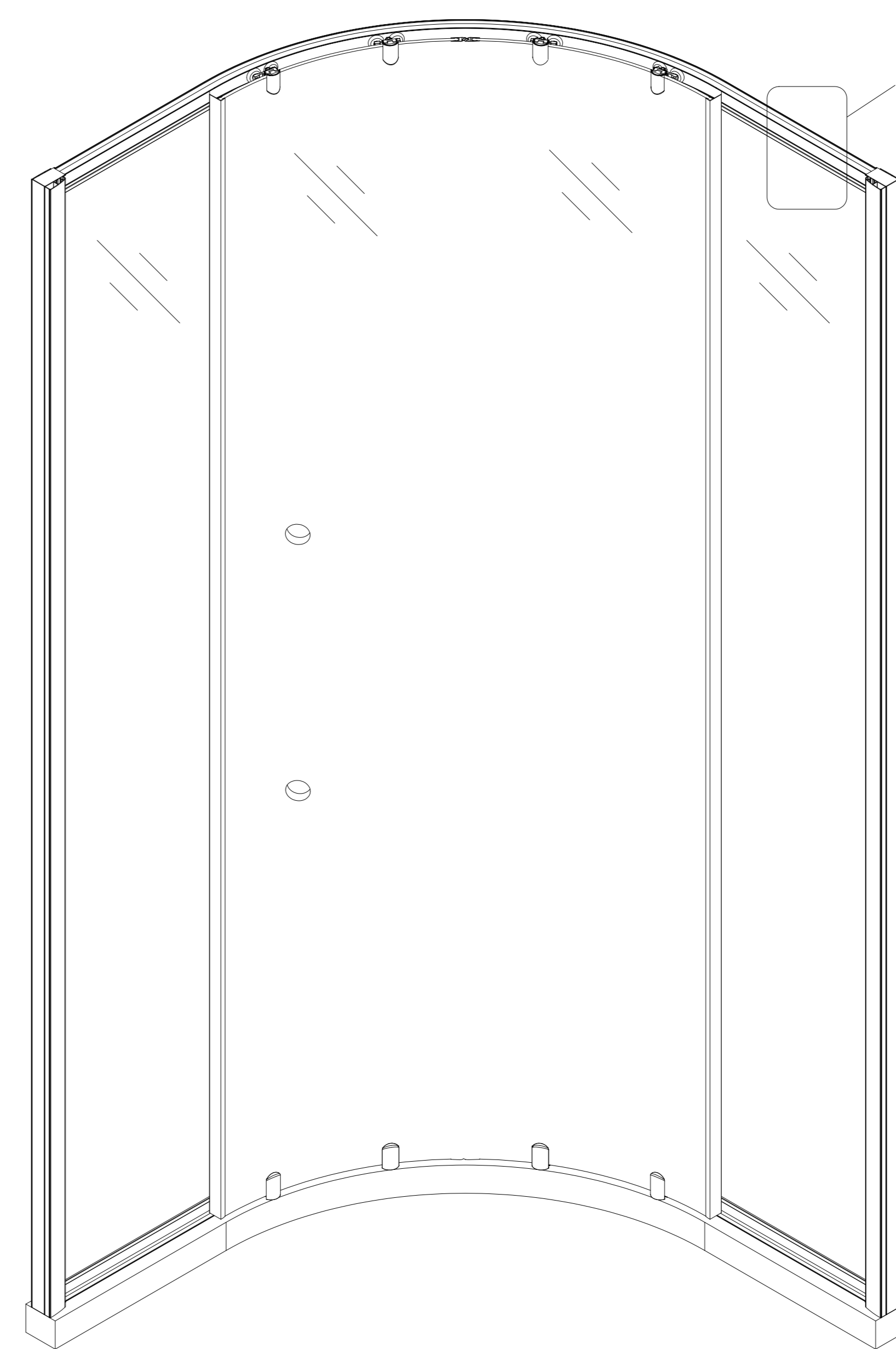
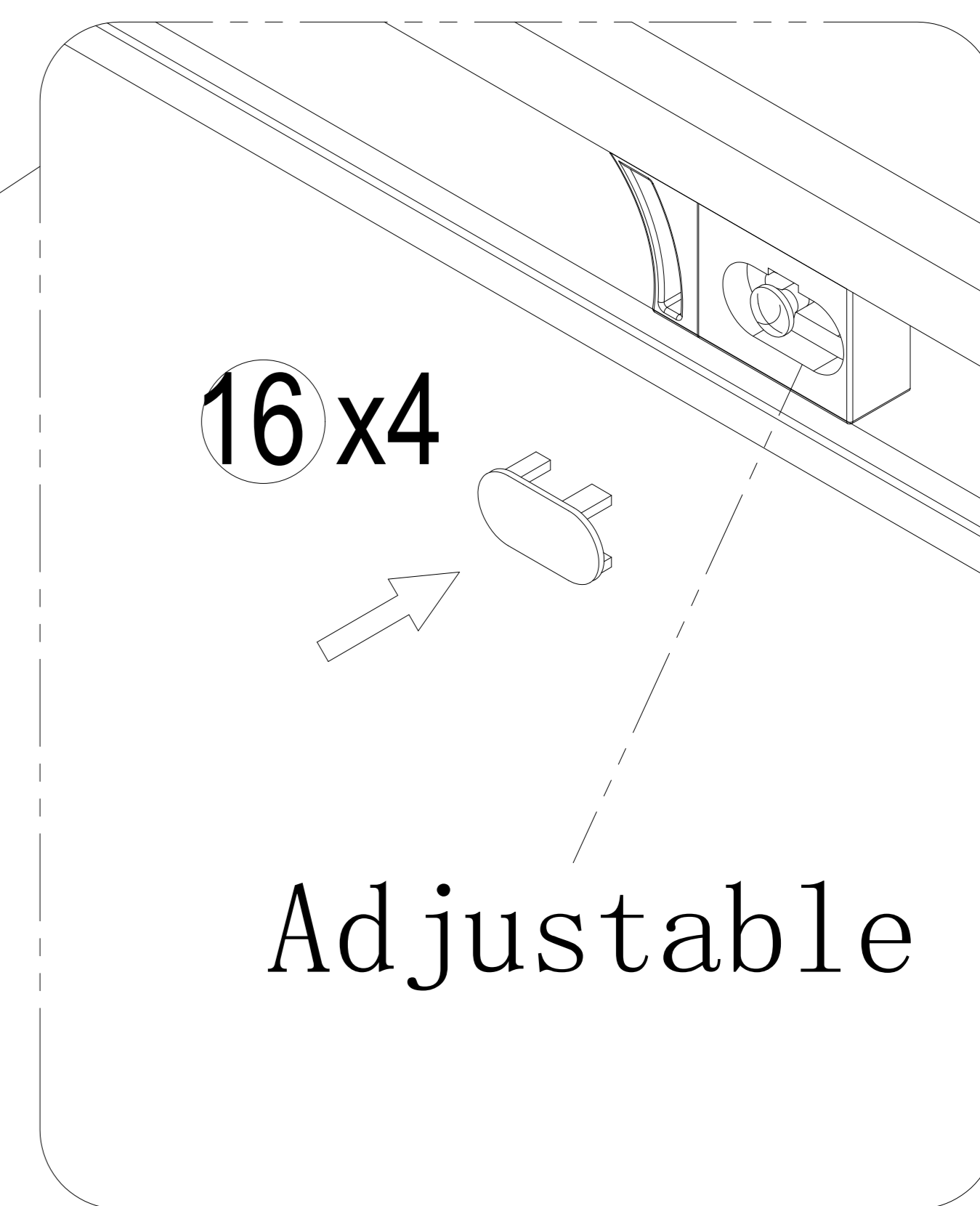
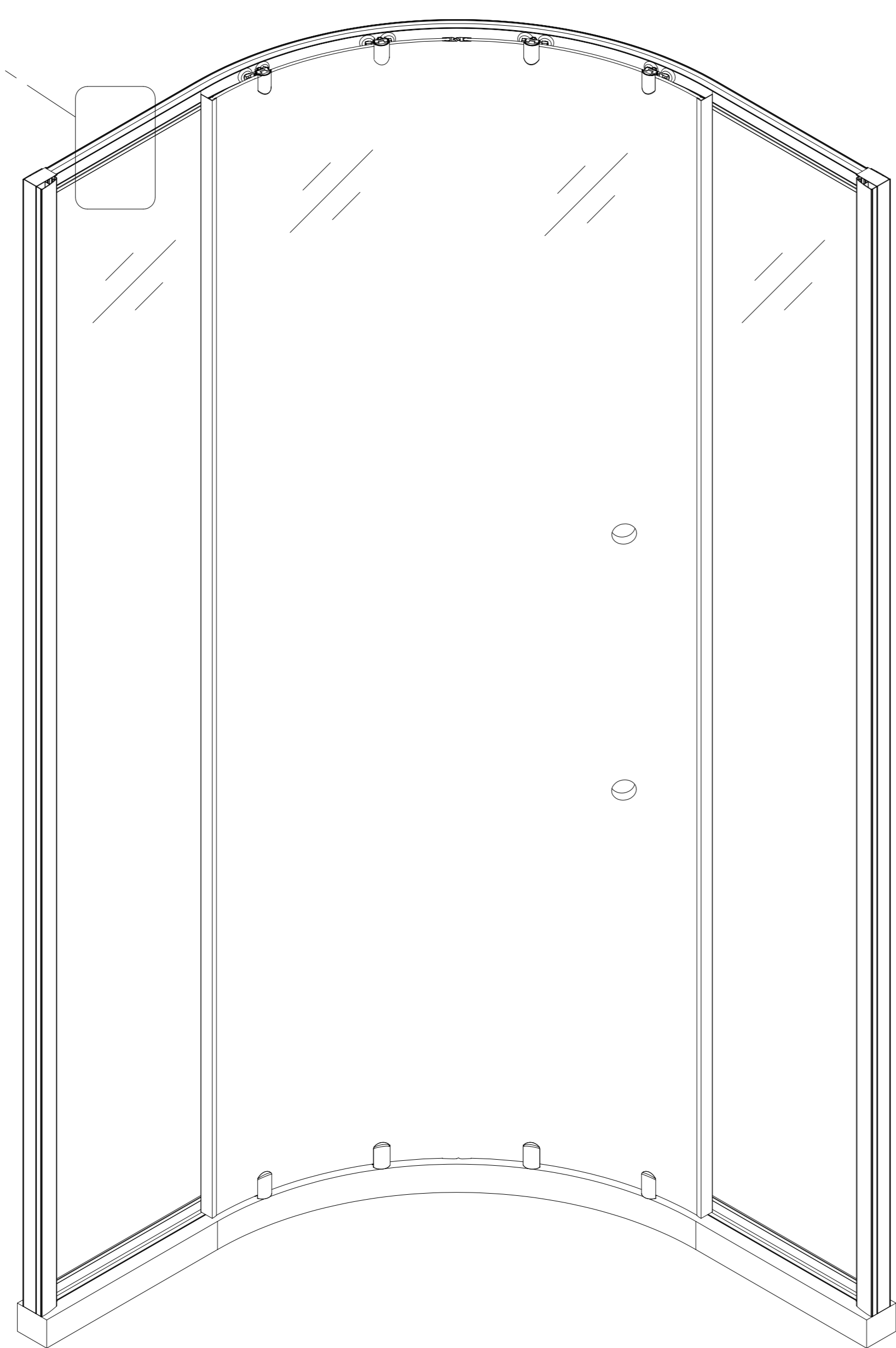
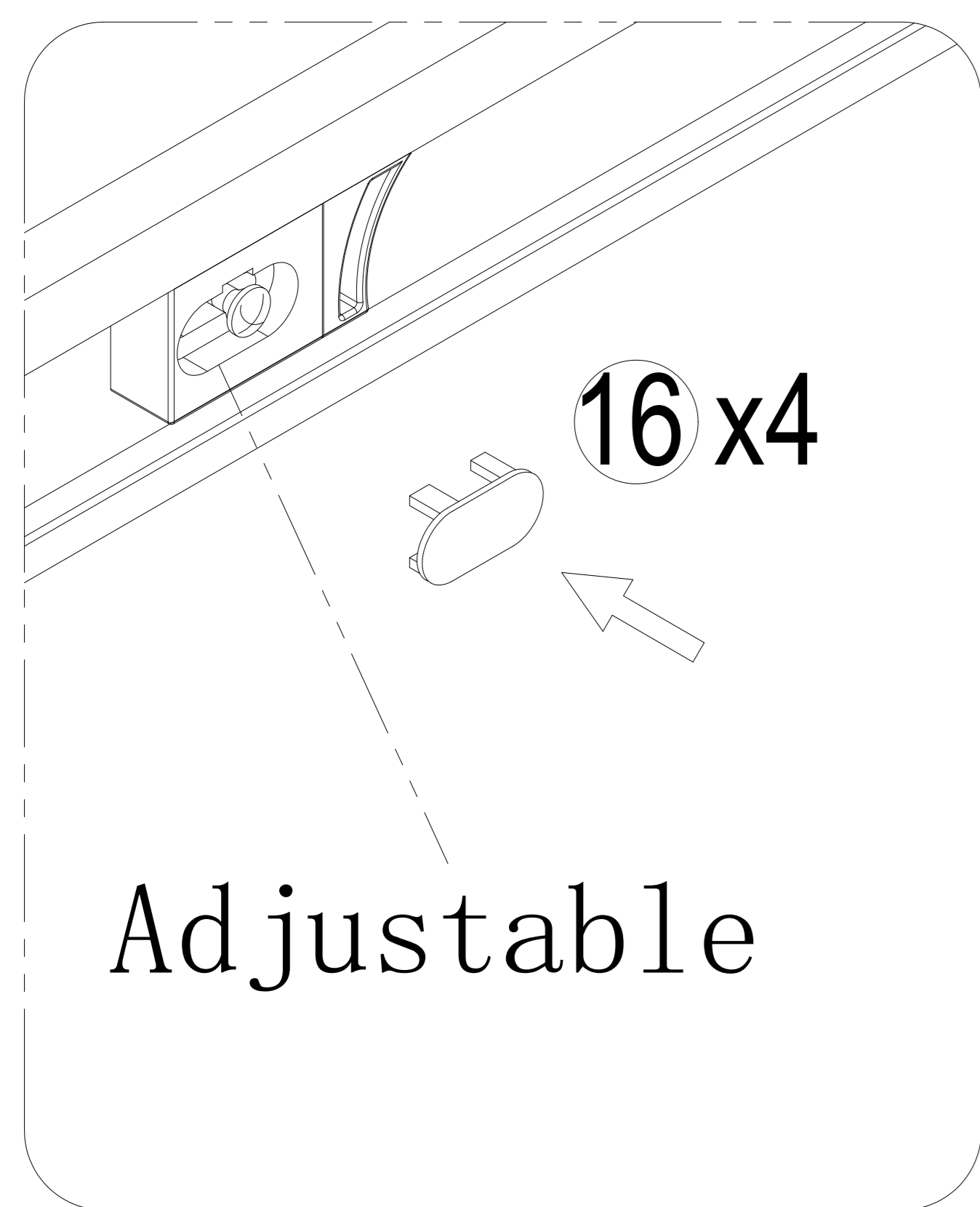
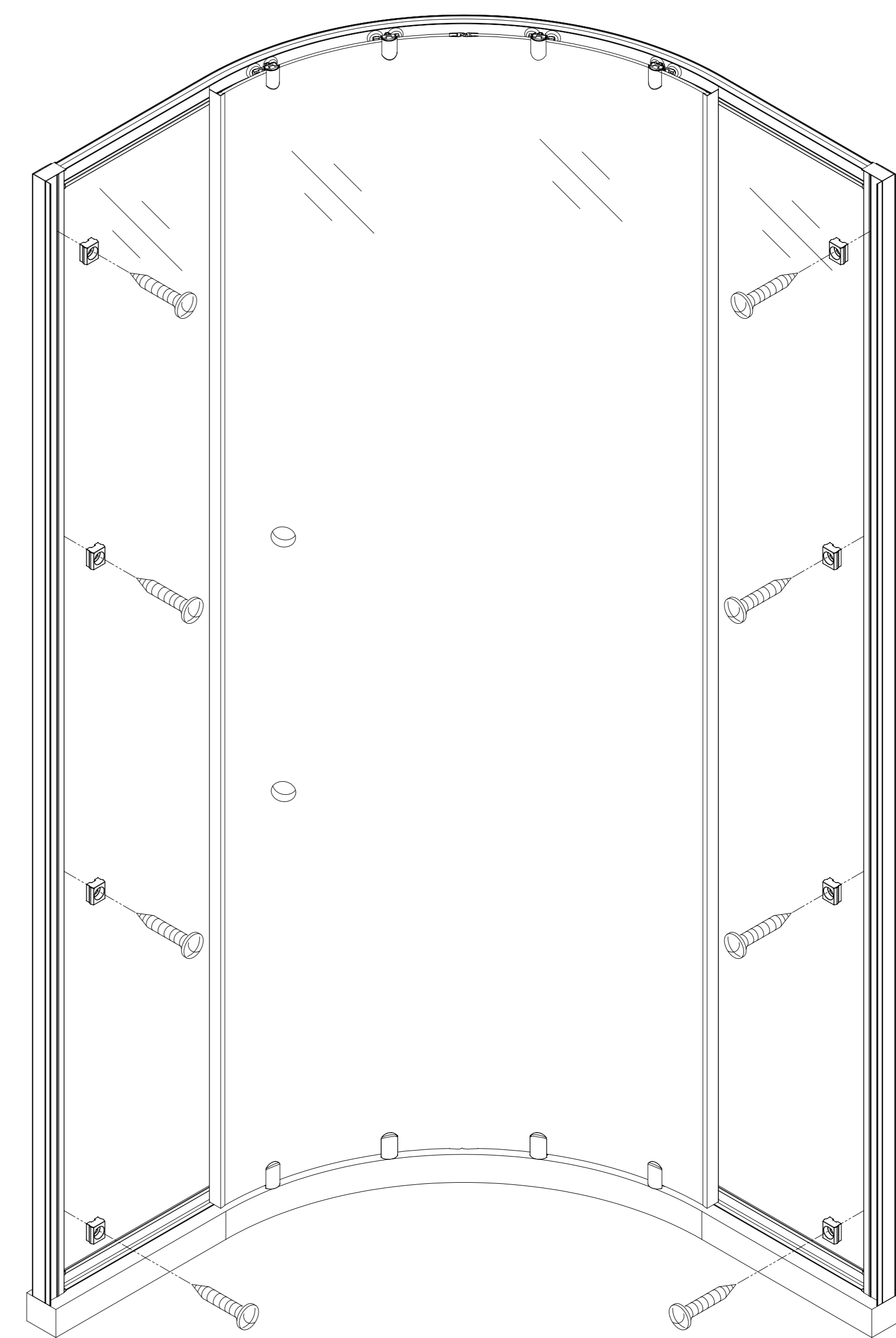
6



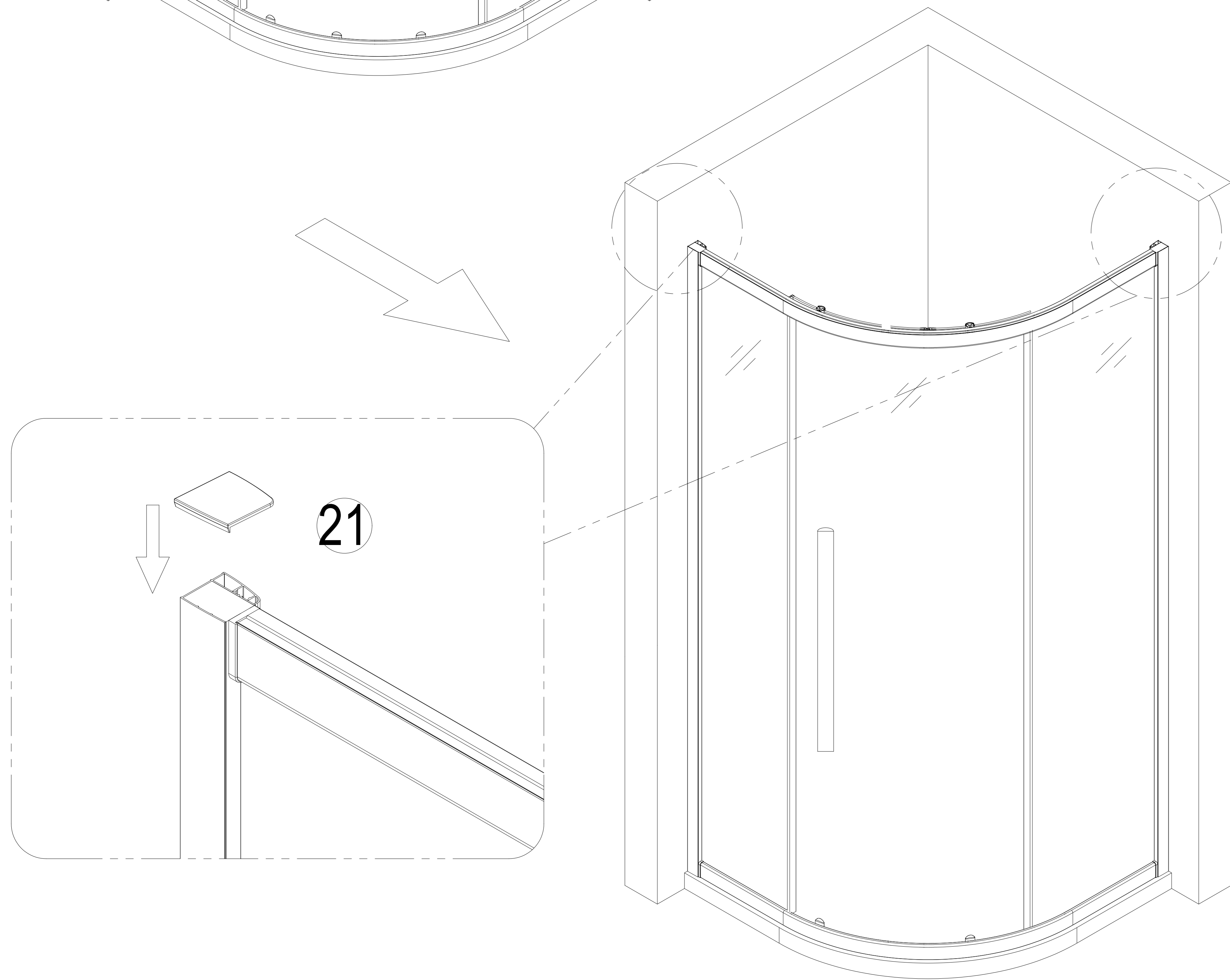
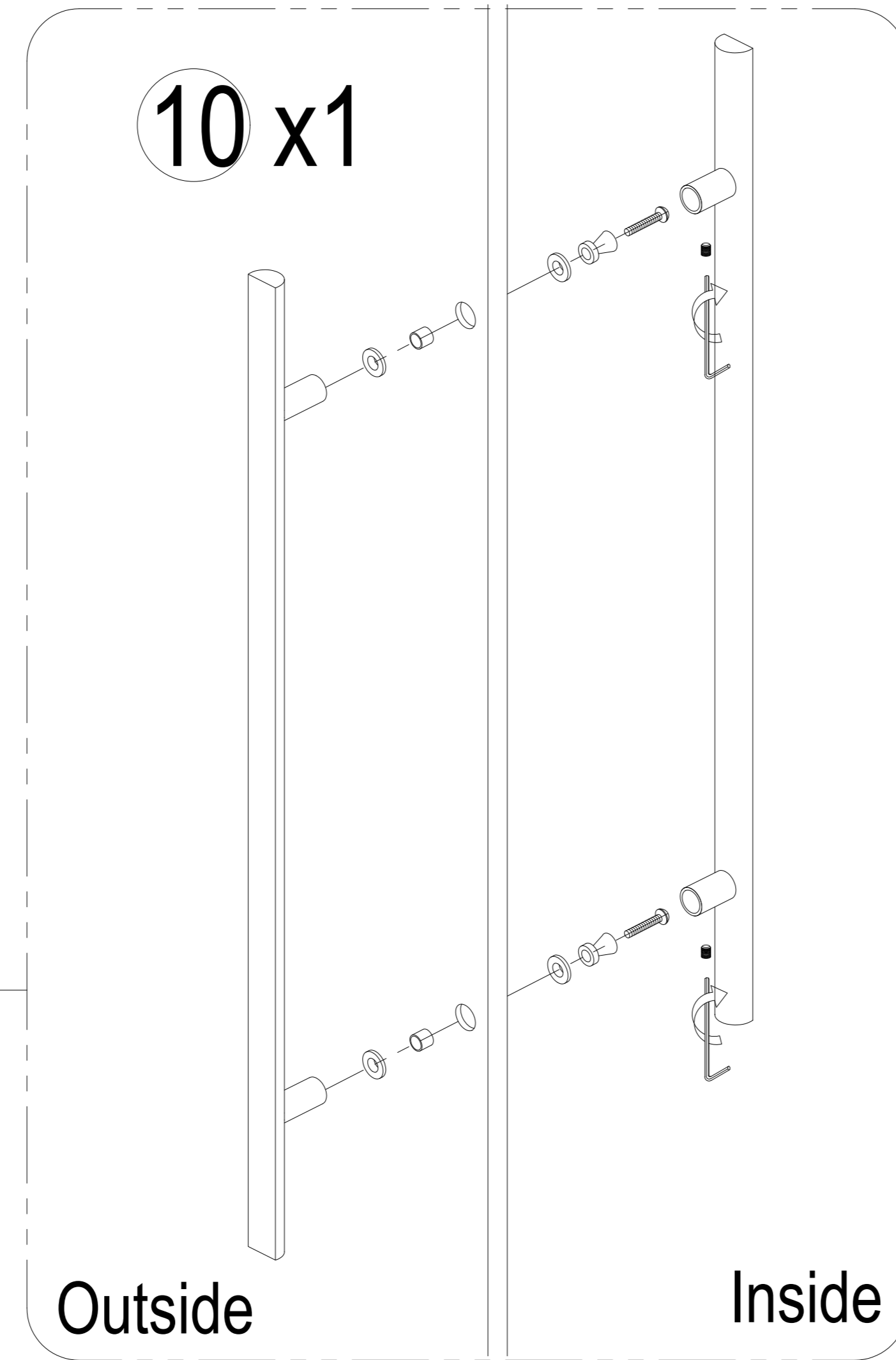
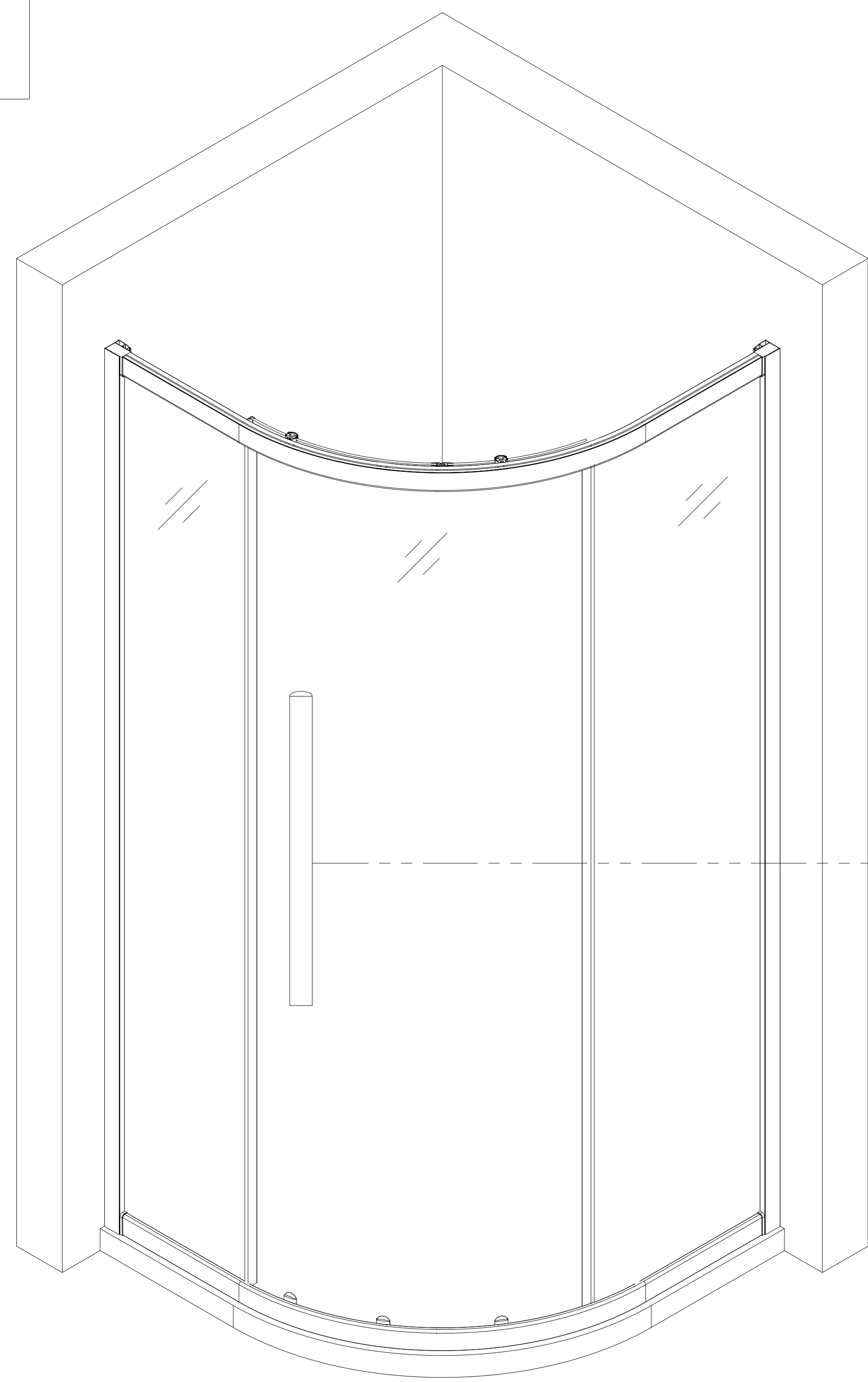
7



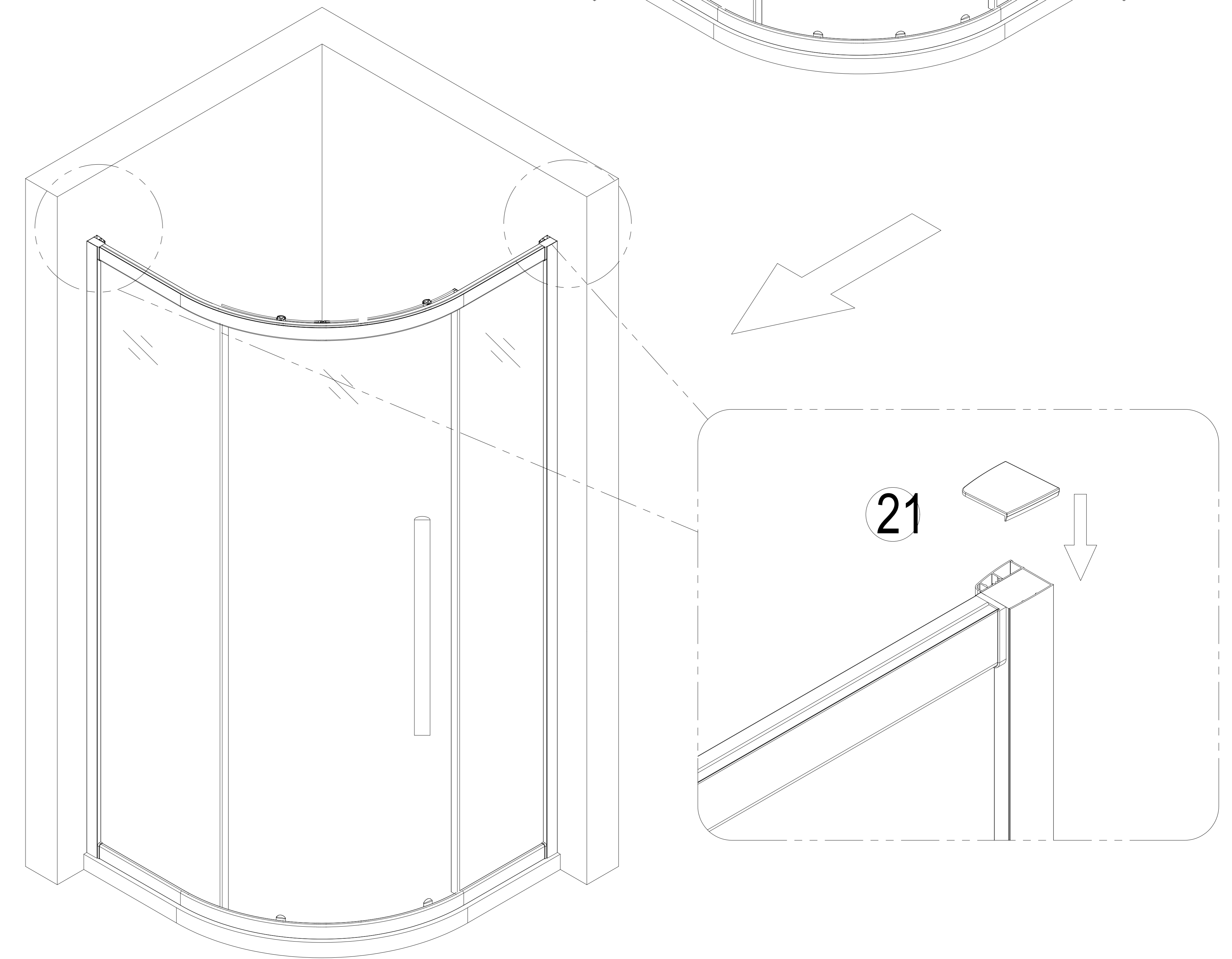
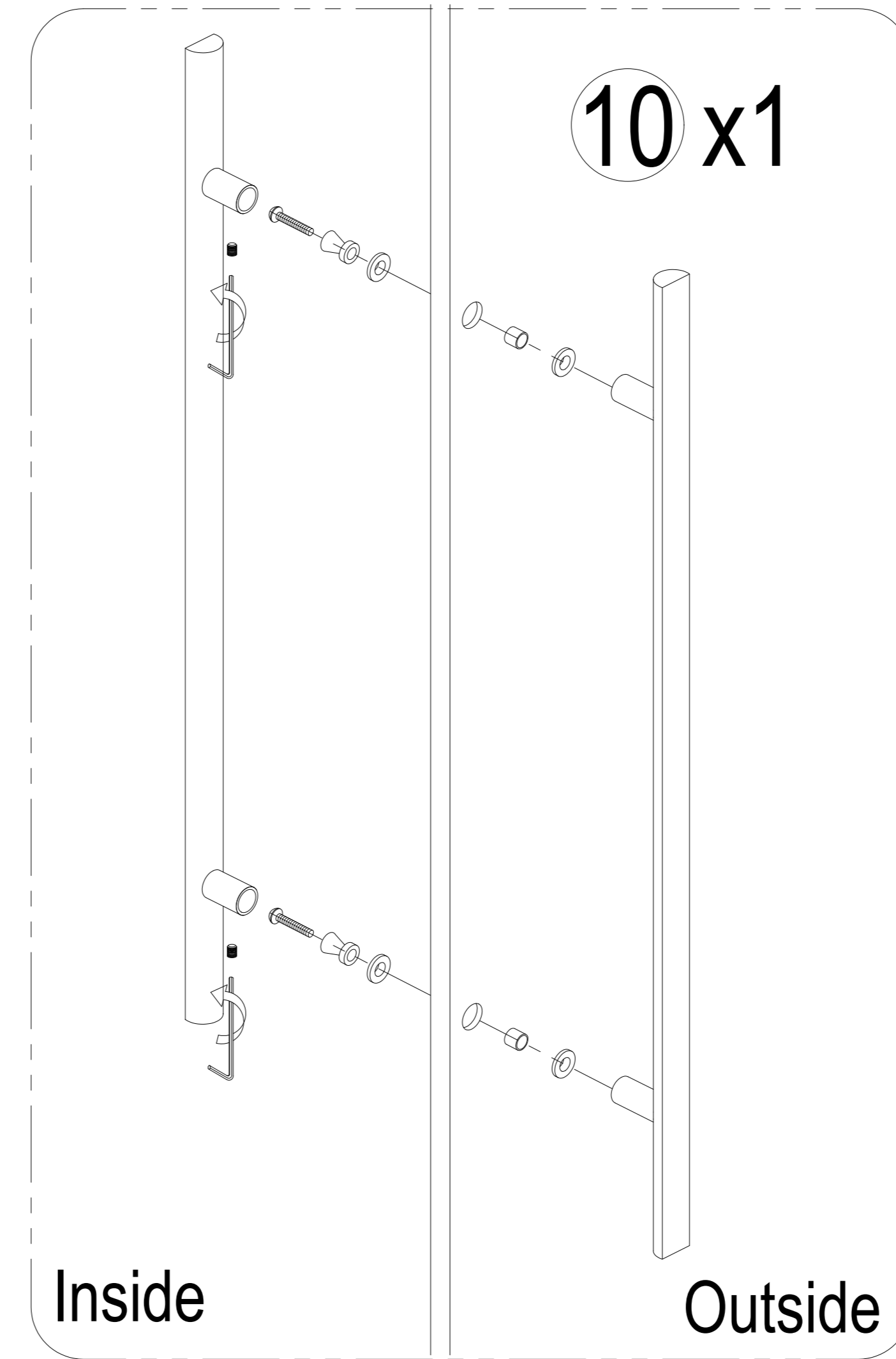
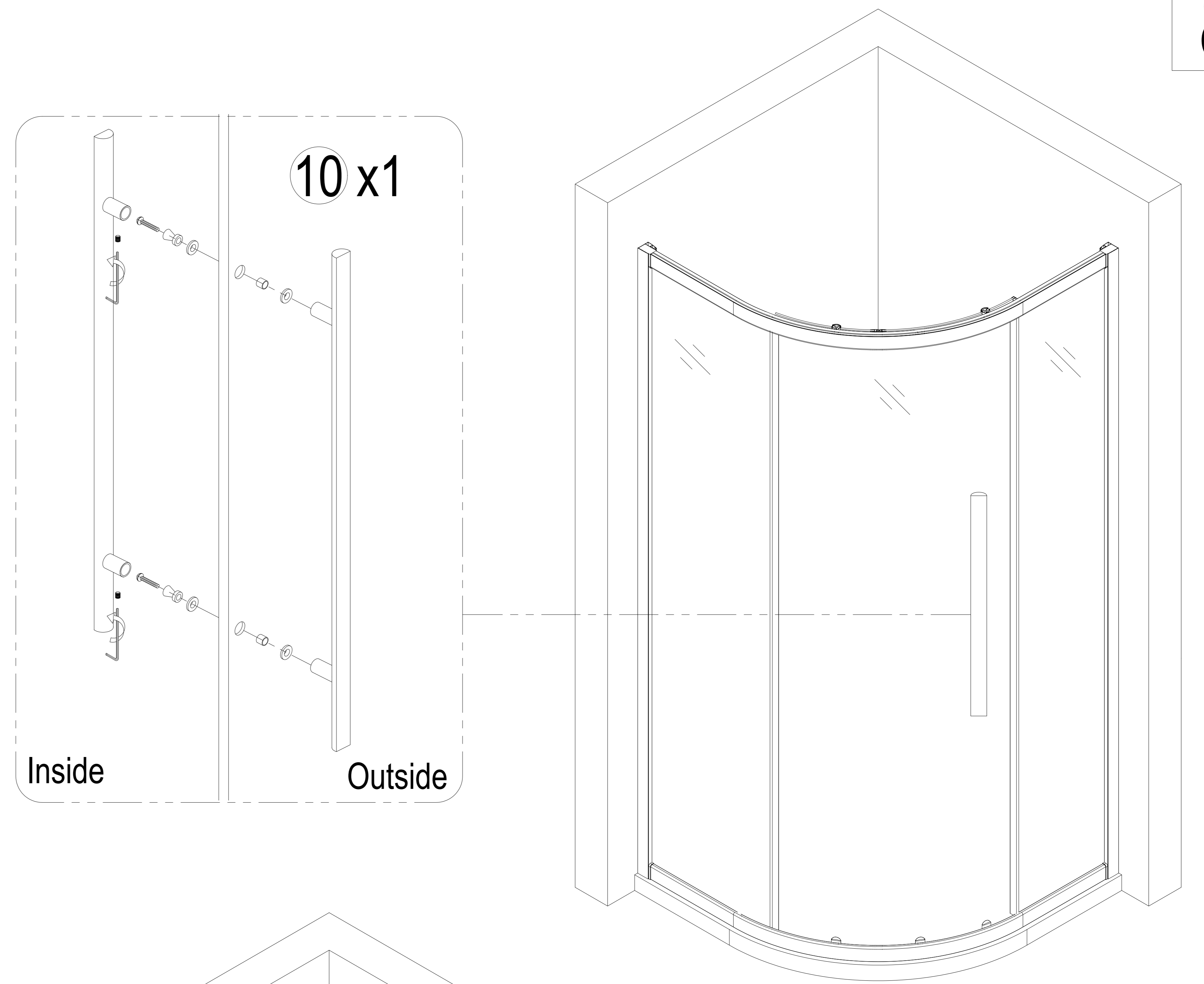
7



8

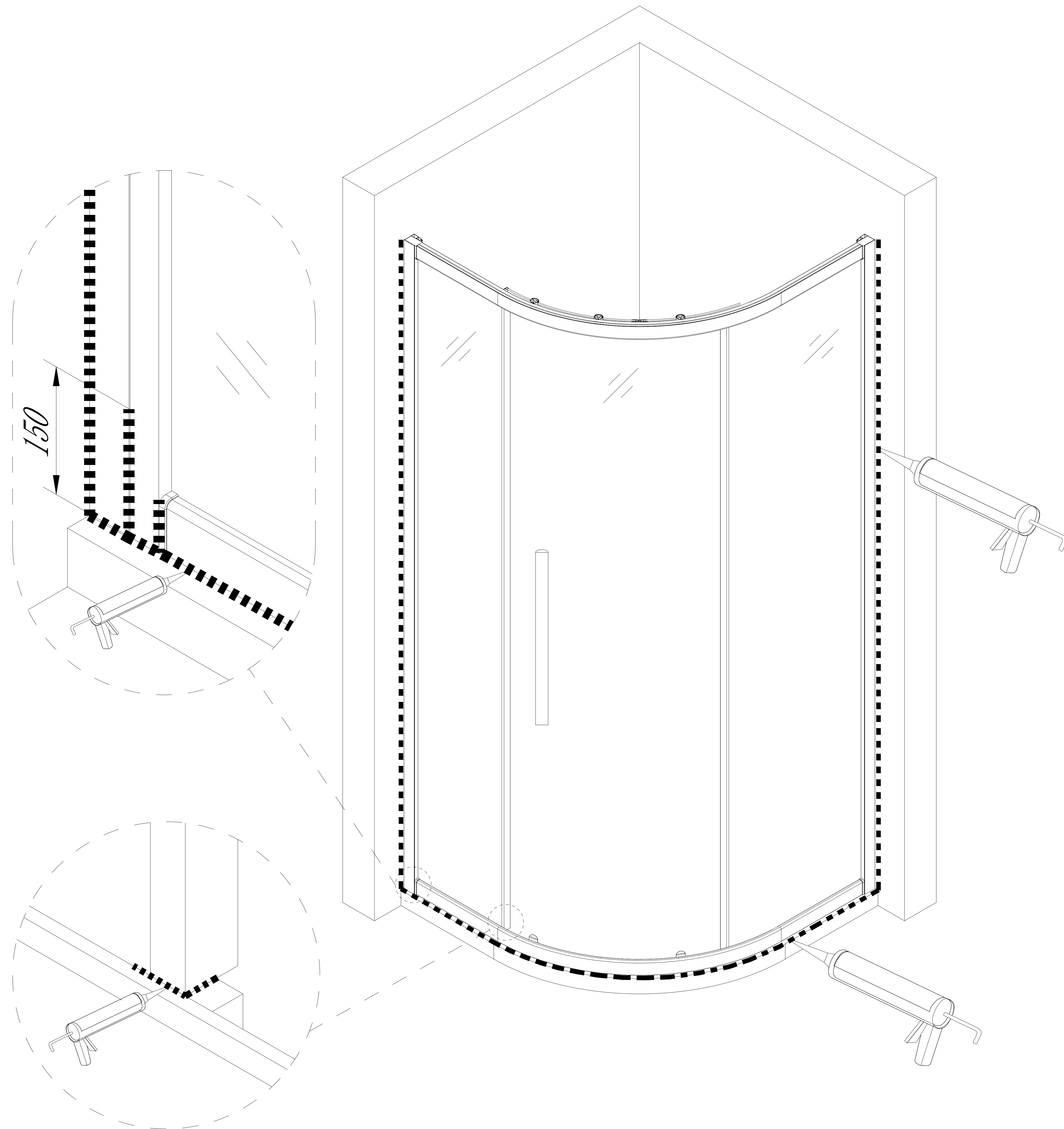


8



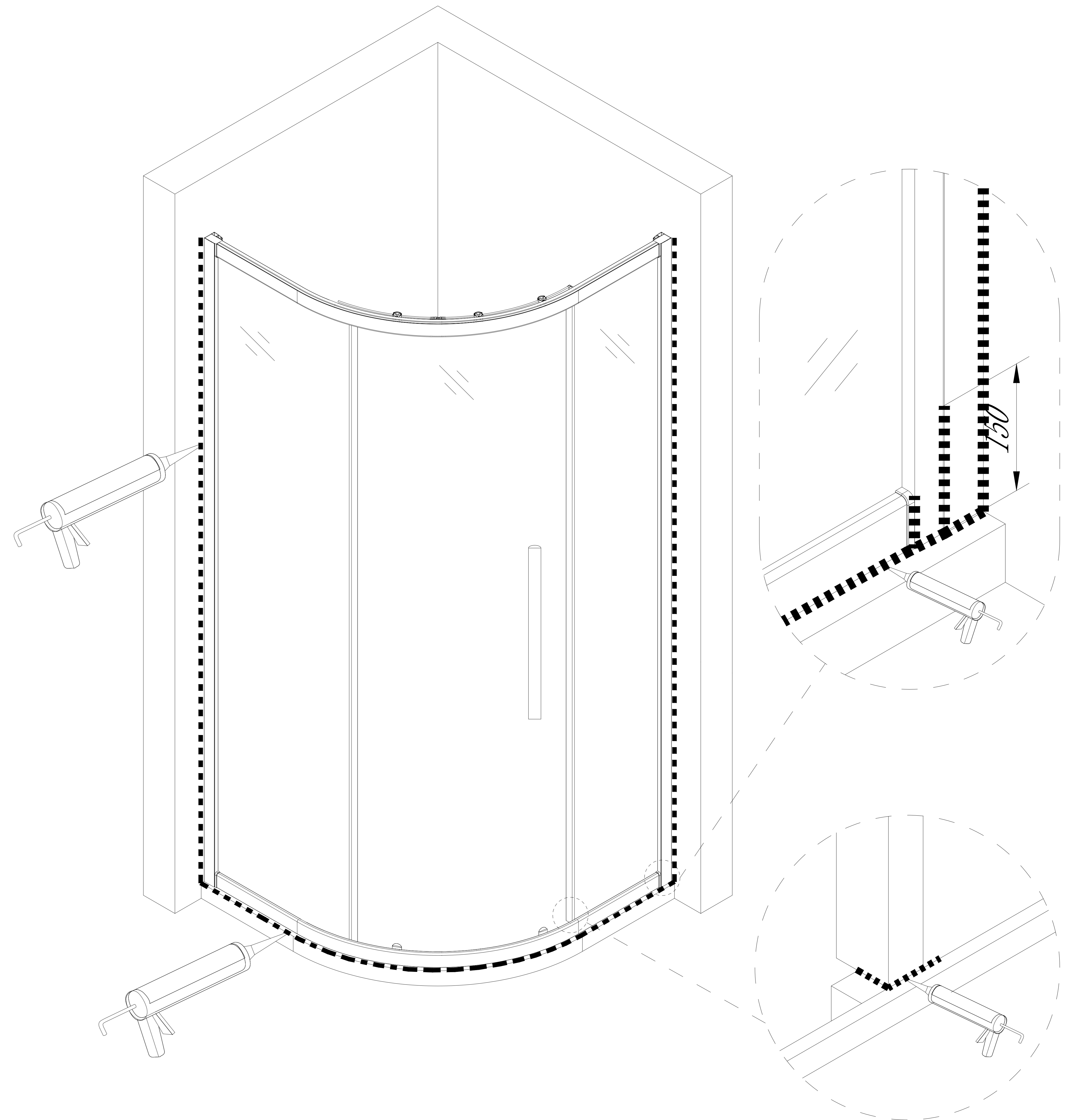
Care Instructions:

Do not use your shower enclosure within 24 hours of assembly .
Do not use caustic cleaning products or abrasive material when cleaning your shower enclosure.



Care Instructions:

Do not use your shower enclosure within 24 hours of assembly .
Do not use caustic cleaning products or abrasive material when cleaning your shower enclosure.



Eastbrook

Eastbrook Road, Gloucester GL4 3DB

Technical Helpline: 01452 317890

Email: technical@eastbrookco.com

Cleaning and Maintenance of Shower Enclosures

Do not clean the shower enclosure with irritant detergents such as alcohol, bleach or other chemical cleaners.

Only clean with mild soapy water or a proprietary cleaner where the label advises it is suitable for the materials the enclosure is constructed from. Test on a small area first.

For treating limescale we would recommend distilled vinegar in a half and half solution with water.

Following installation should you find that there is a notable noise when the glass door moves you may add a small amount of silicon lubricant onto the roller wheels and tracks, hinges or clips.

It is the responsibility of the product owner to maintain the product as recommended above. Also, to check for parts which have broken or become loose to protect against failure of the enclosure.