

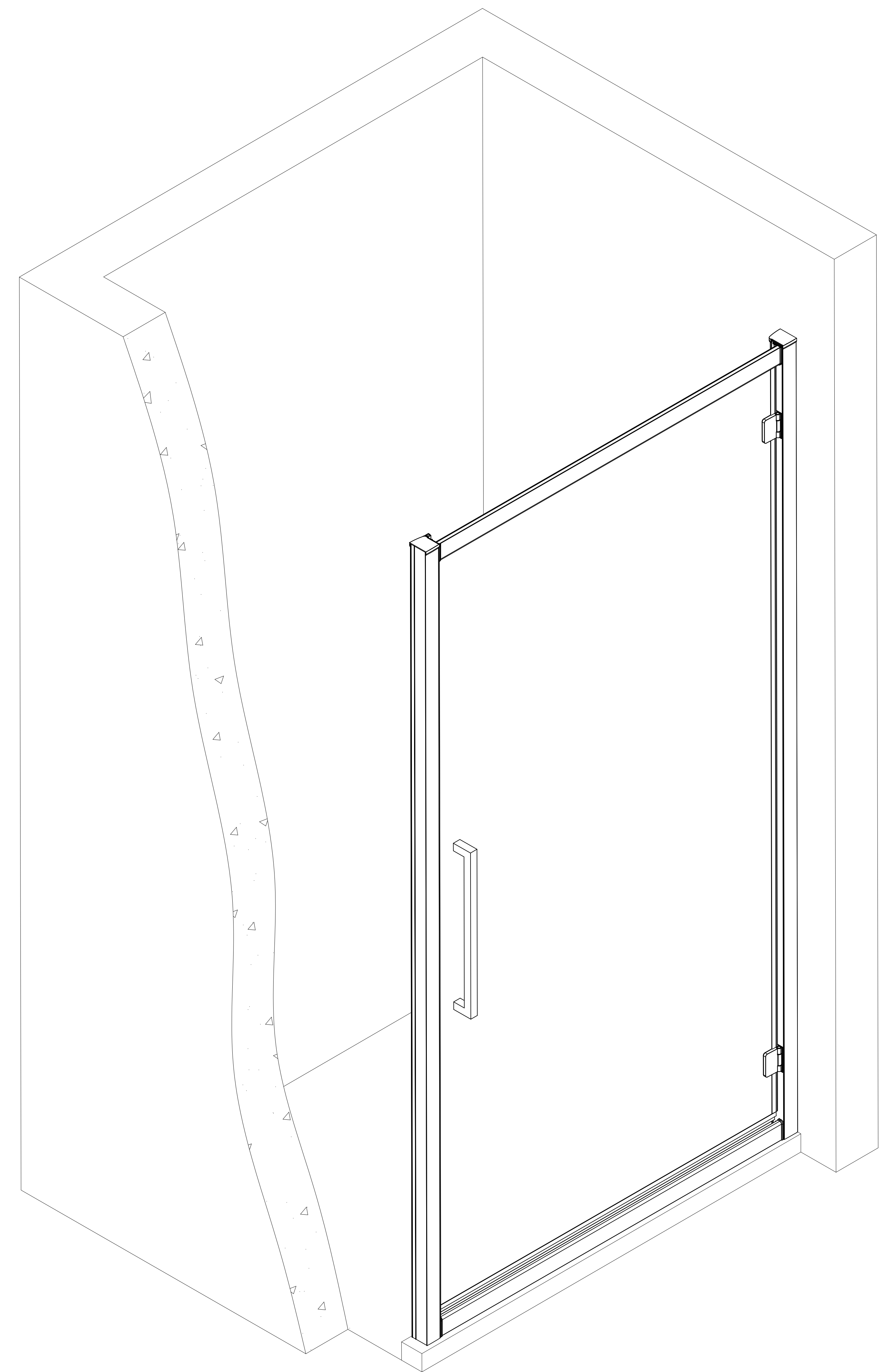
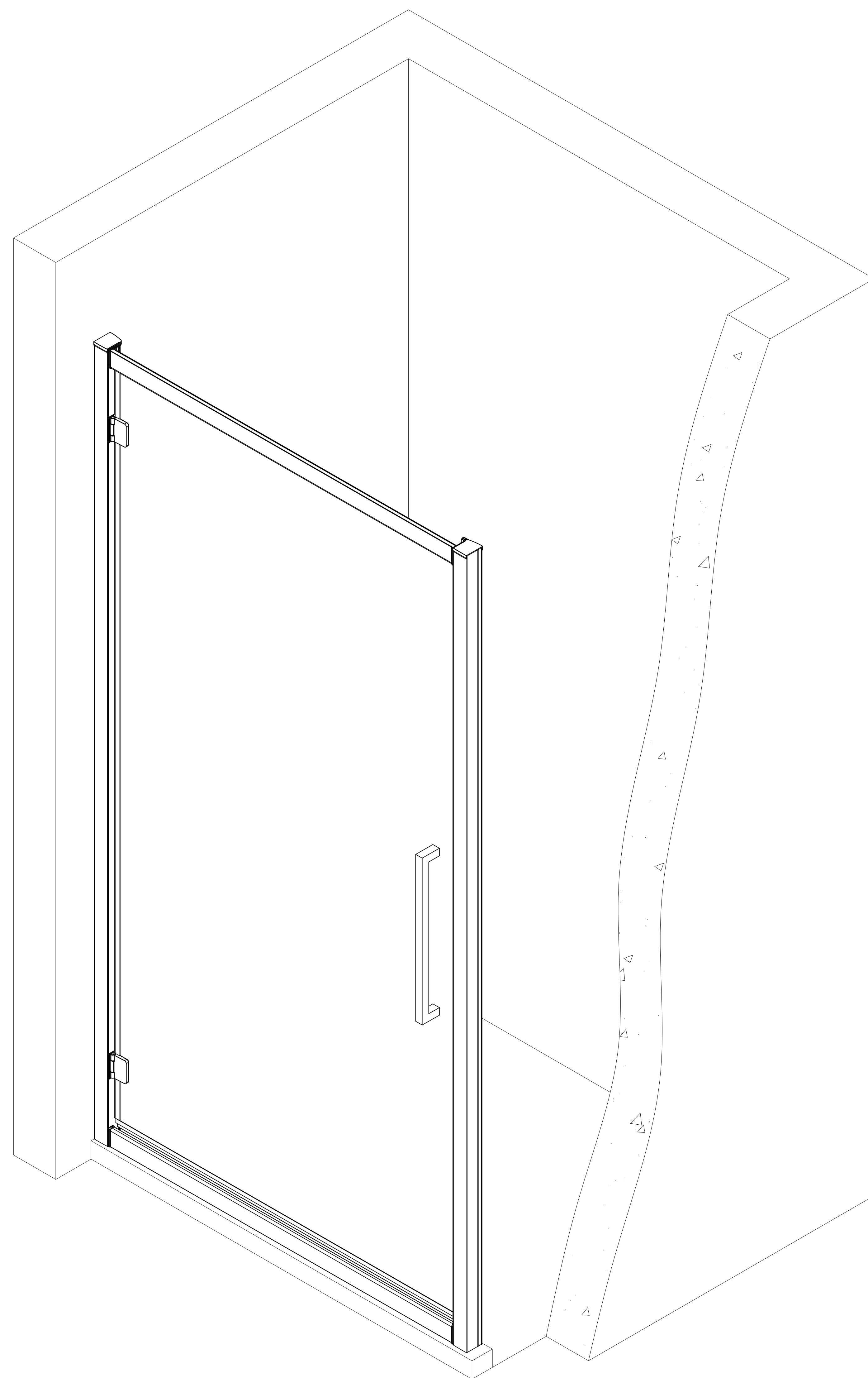
49. 3106/49. 3107/49. 3108/49. 3109/49. 3111

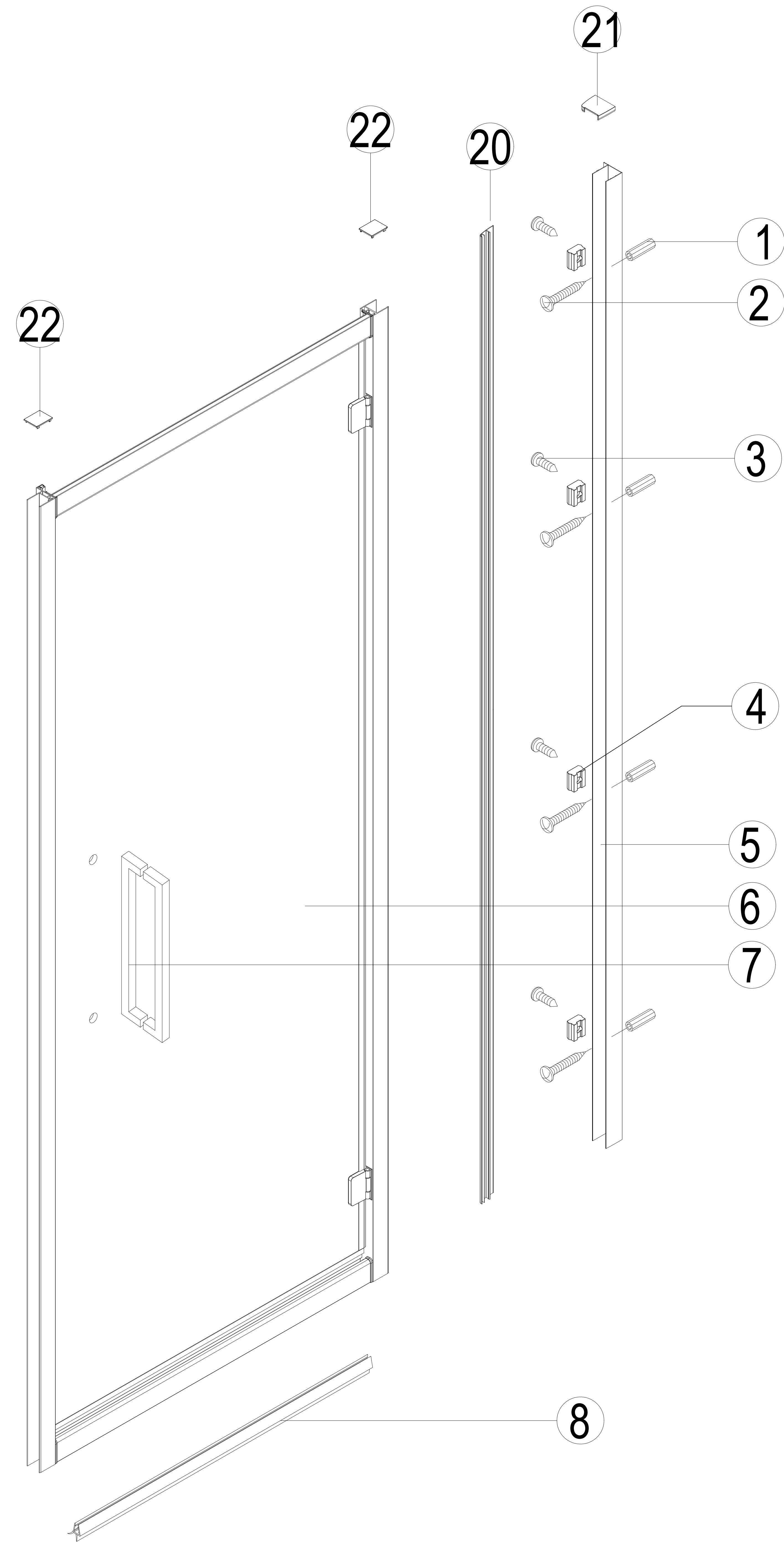
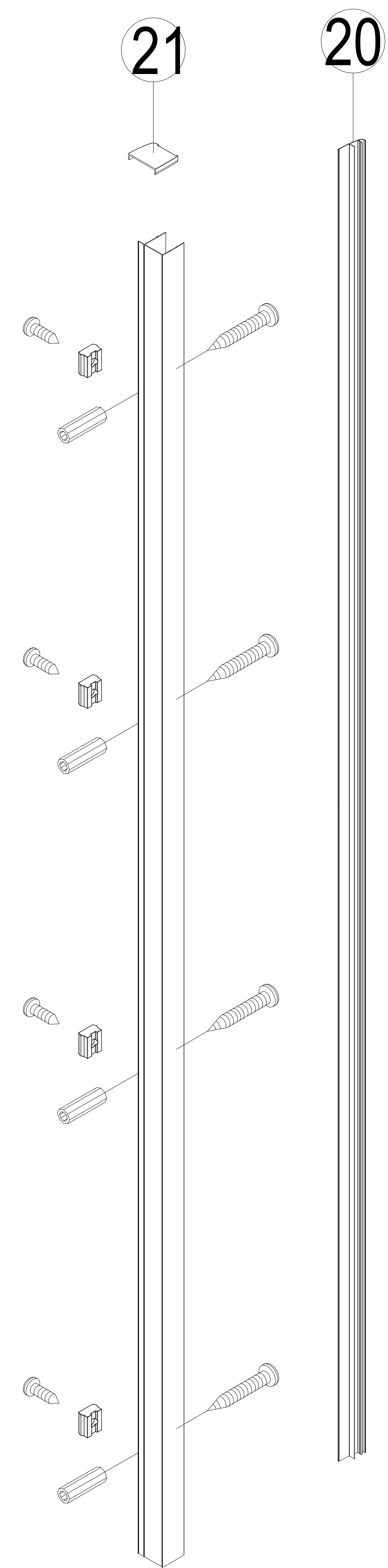
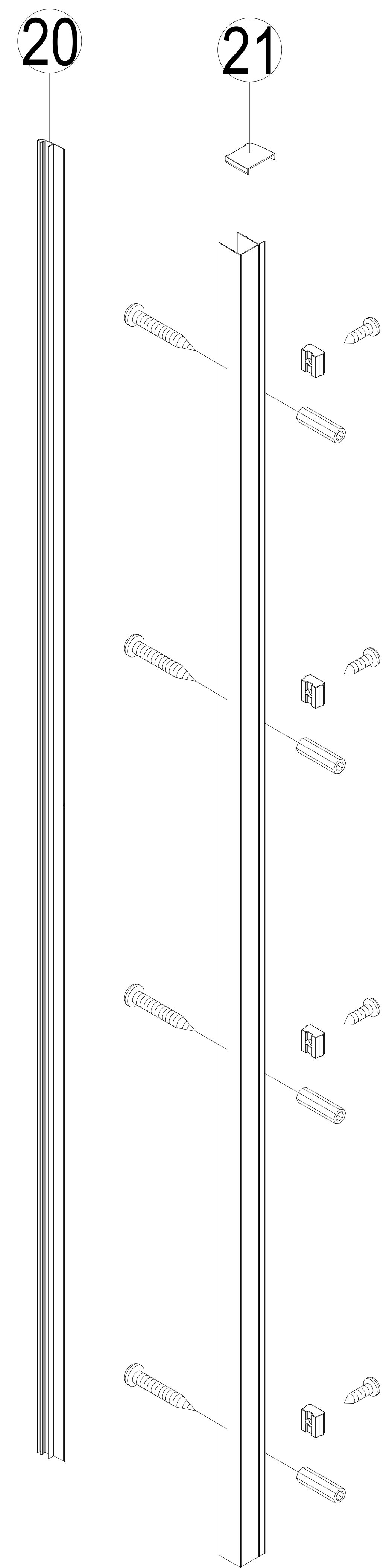
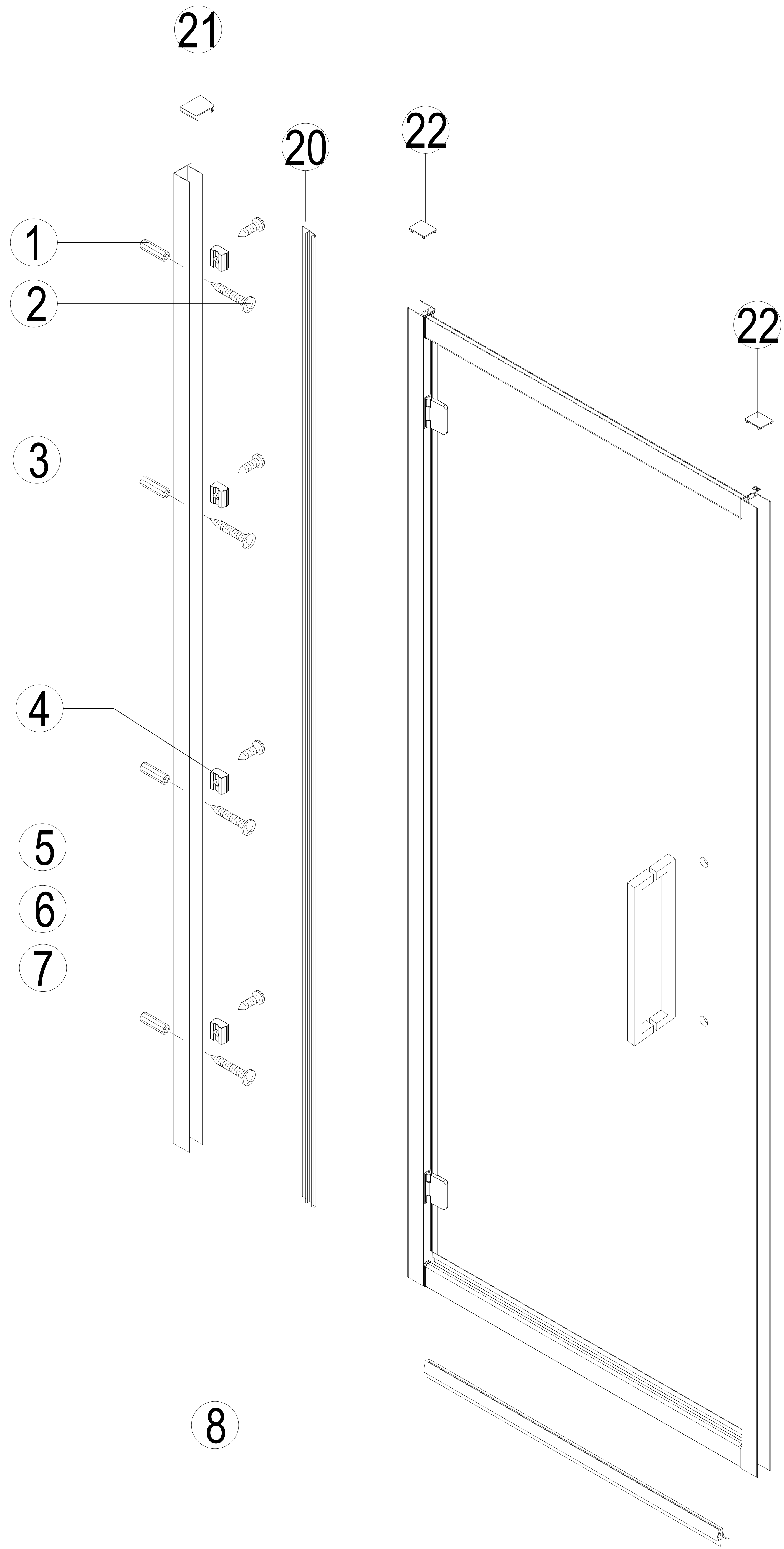
**Eastbrook** 

Eastbrook Road, Gloucester GL4 3DB

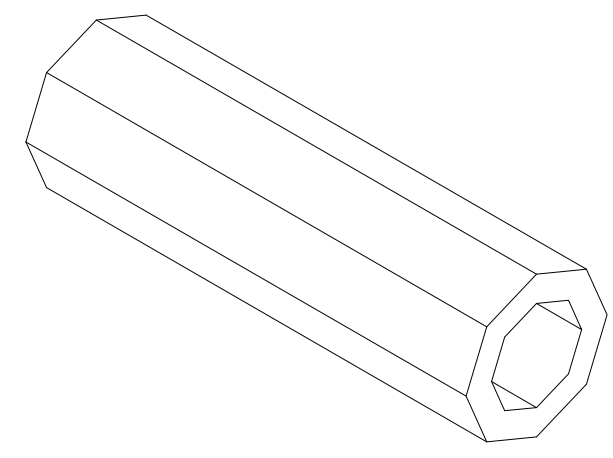
Technical Helpline: 01452 317890

email: [technical@eastbrookco.com](mailto:technical@eastbrookco.com)





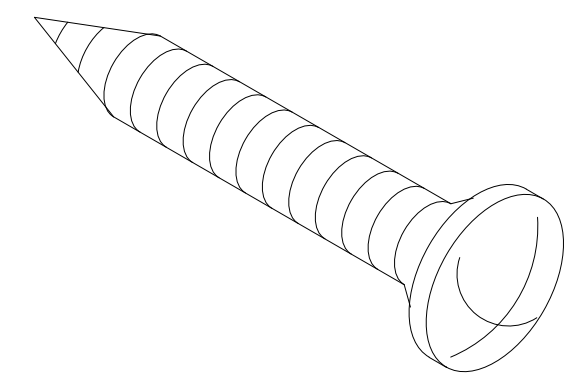
1



D6x30

8Pcs

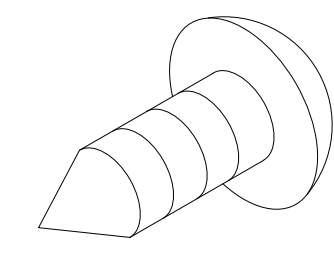
2



ST4X30

8Pcs

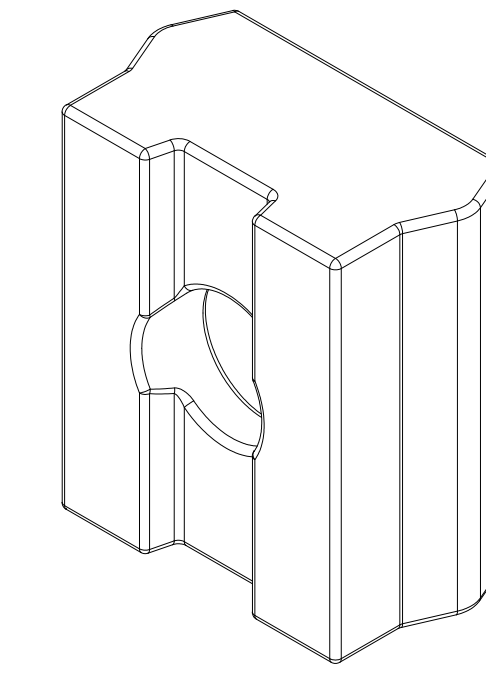
3



ST4X12

8Pcs

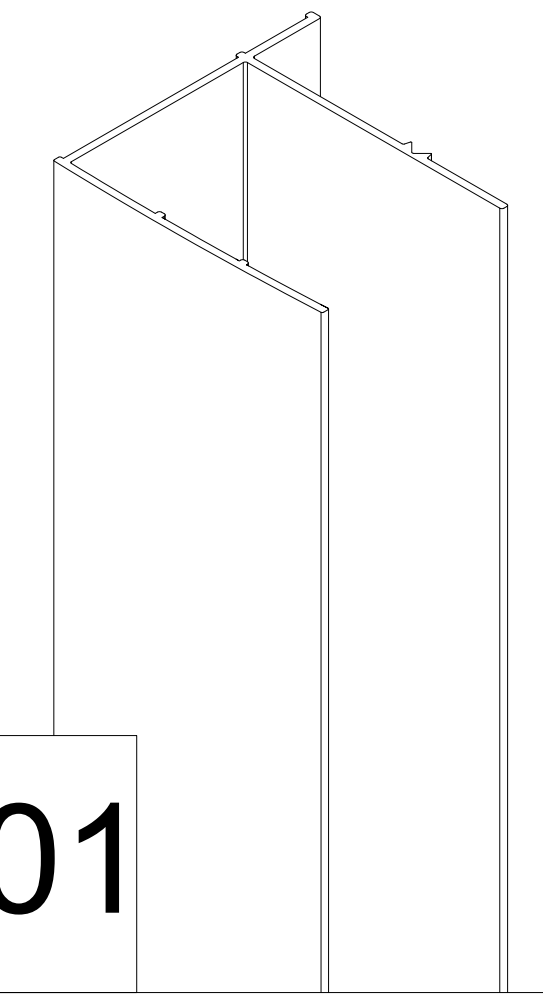
4



RF-6Y01

8Pcs

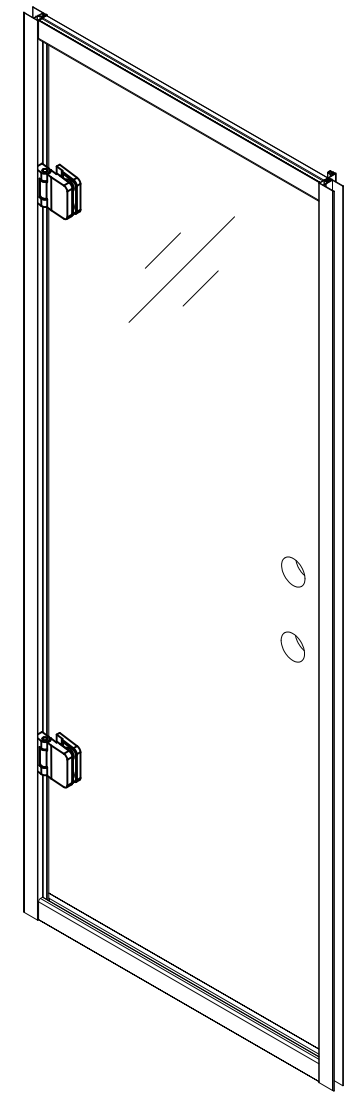
5



RF-8W01

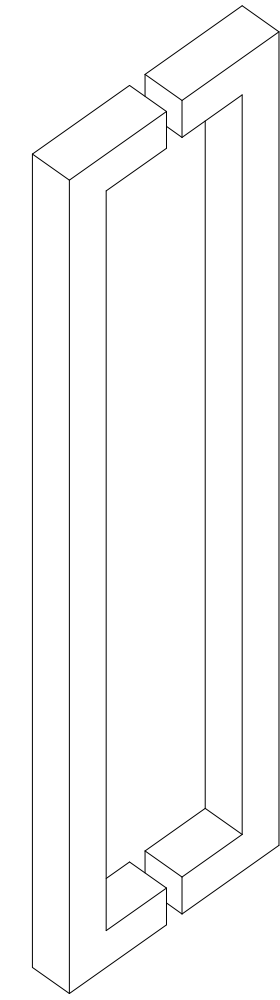
2Pcs

6



1Pc

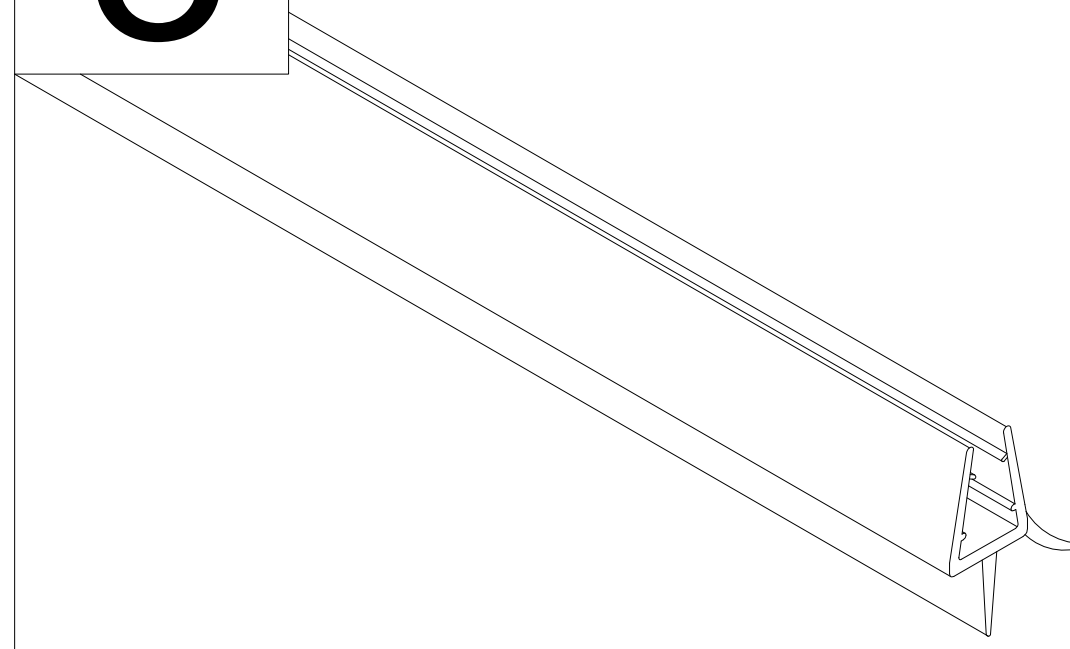
7



BWE-D05

1Pc

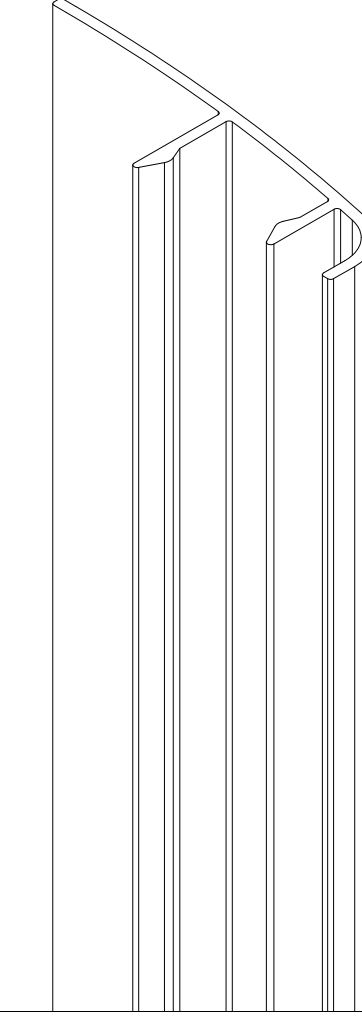
8



RF-8Z09

1Pcs

20

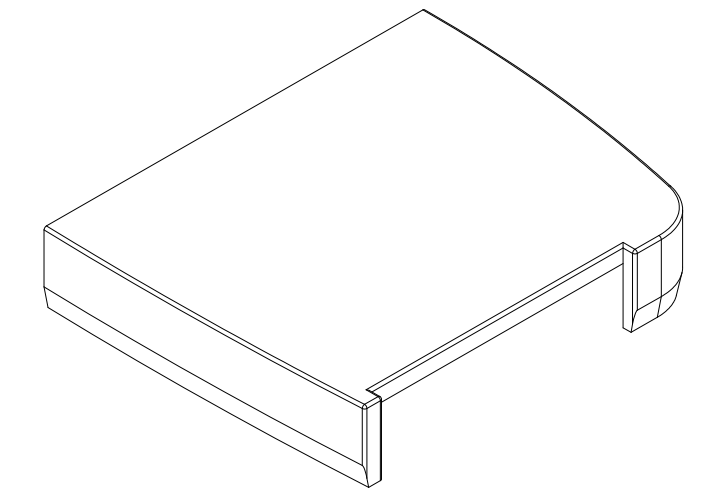


RF-6C1

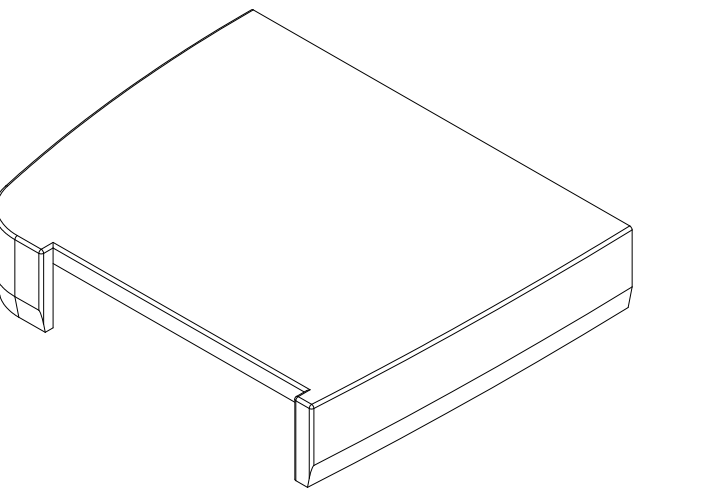
2Pcs

21

L



R

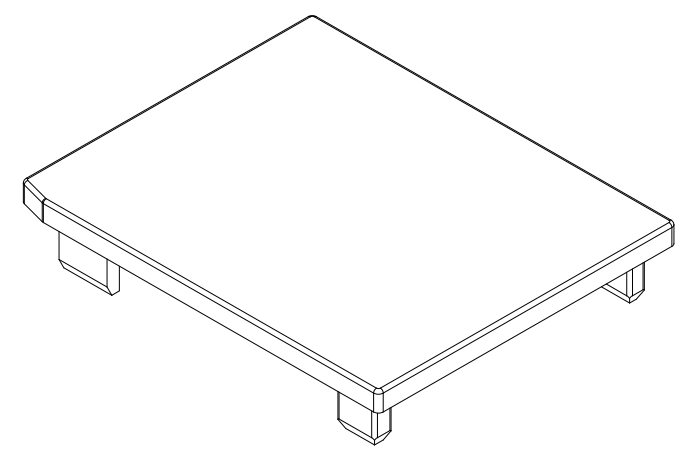


RF-8S01

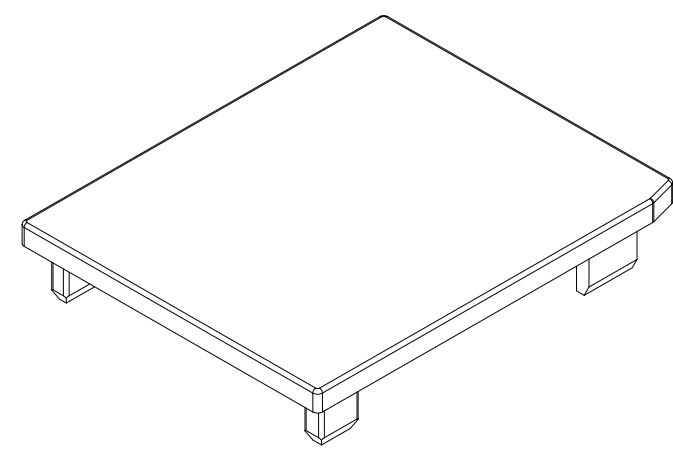
2Pcs

22

L



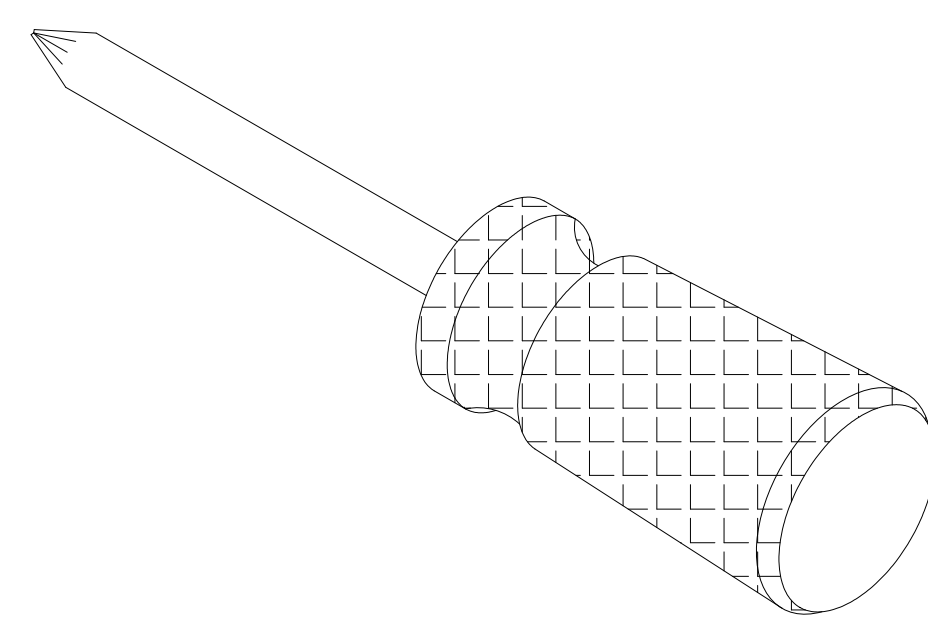
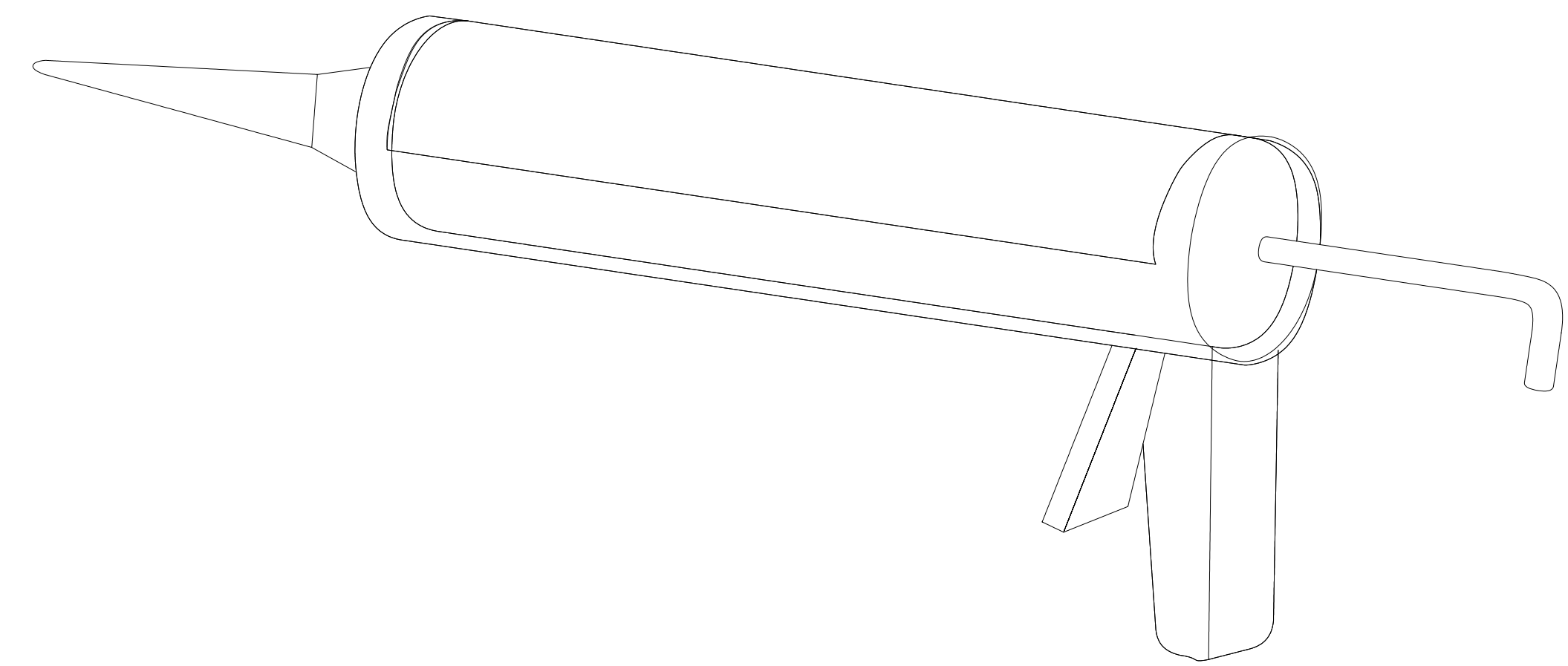
R



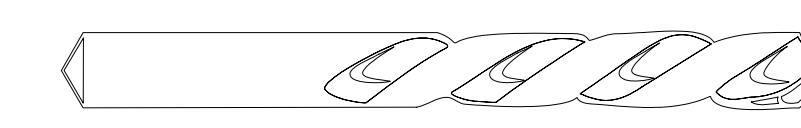
RF-8S03

2Pcs

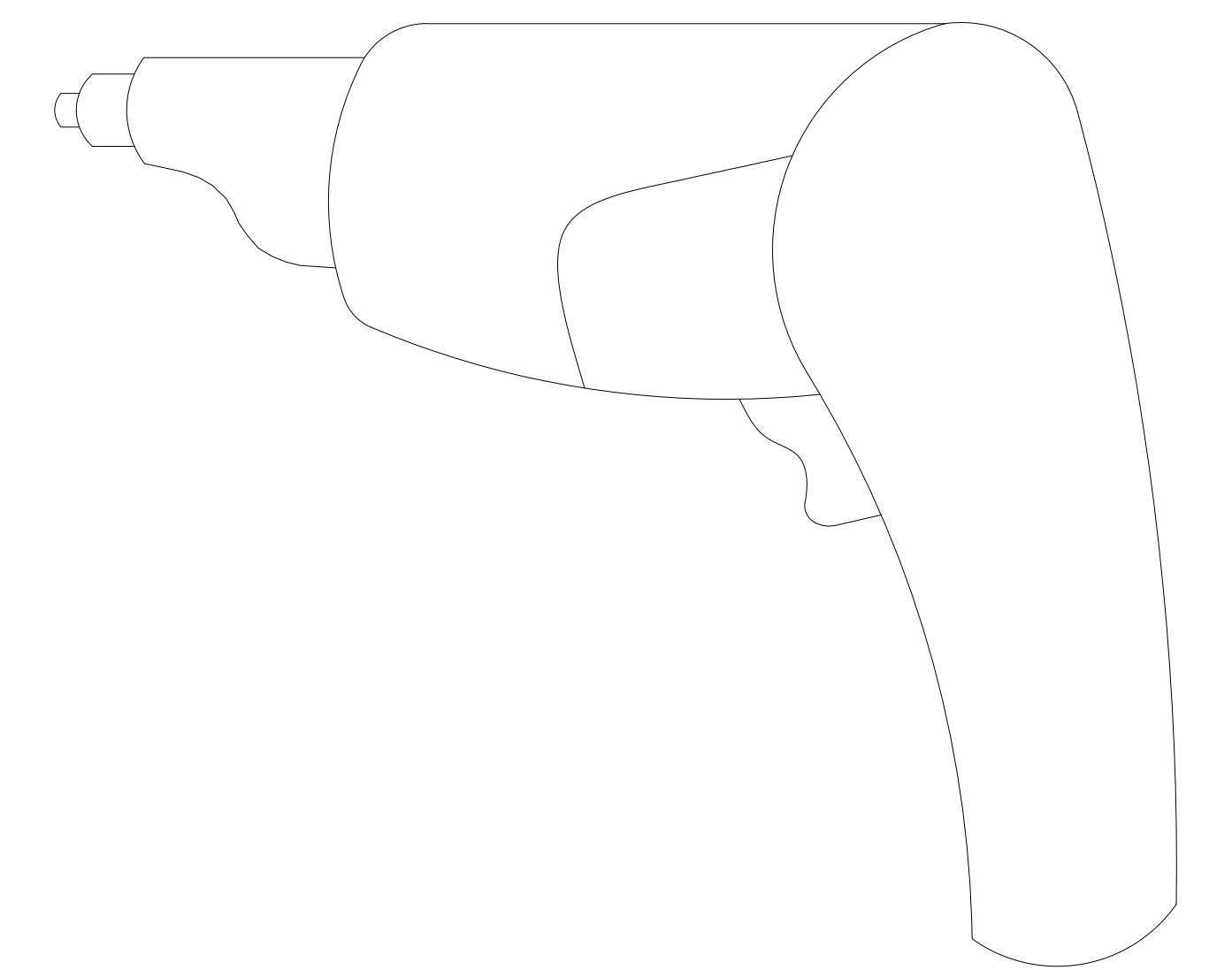
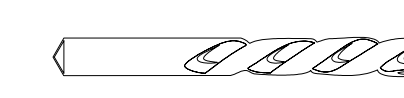
Tools:



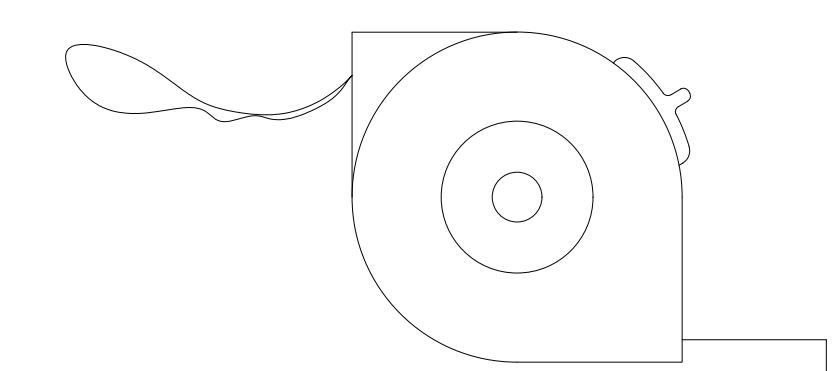
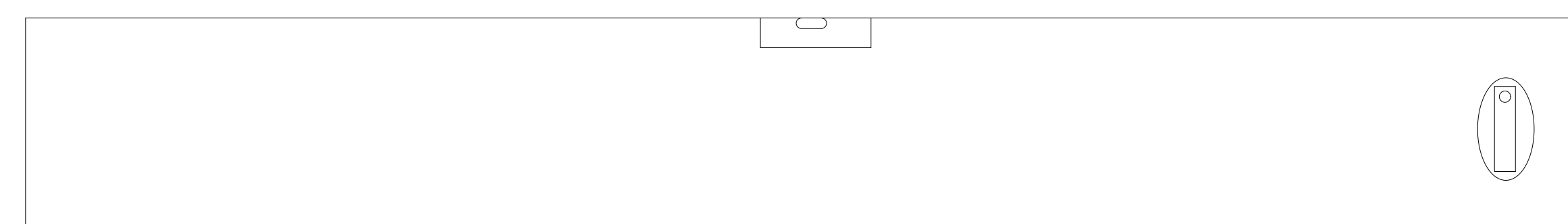
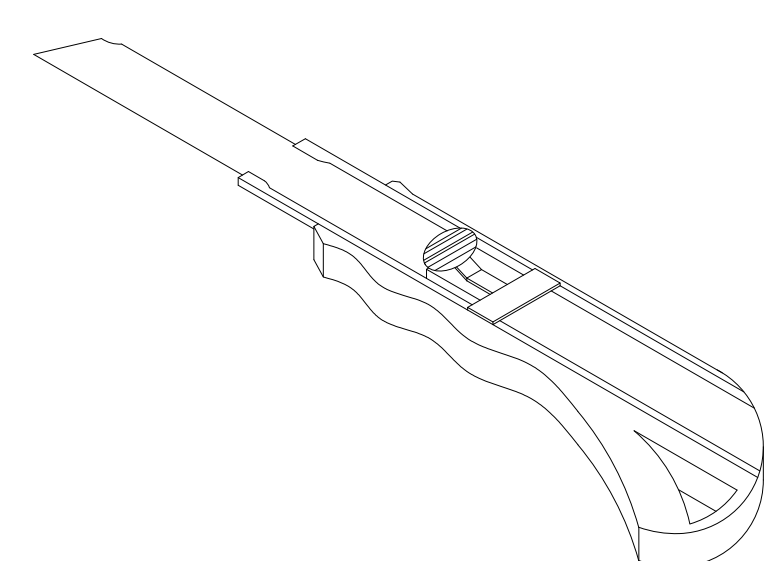
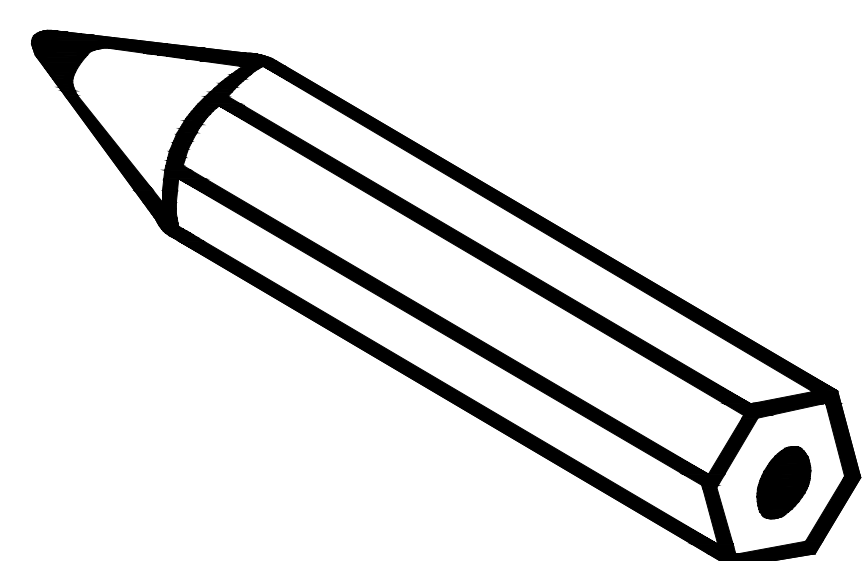
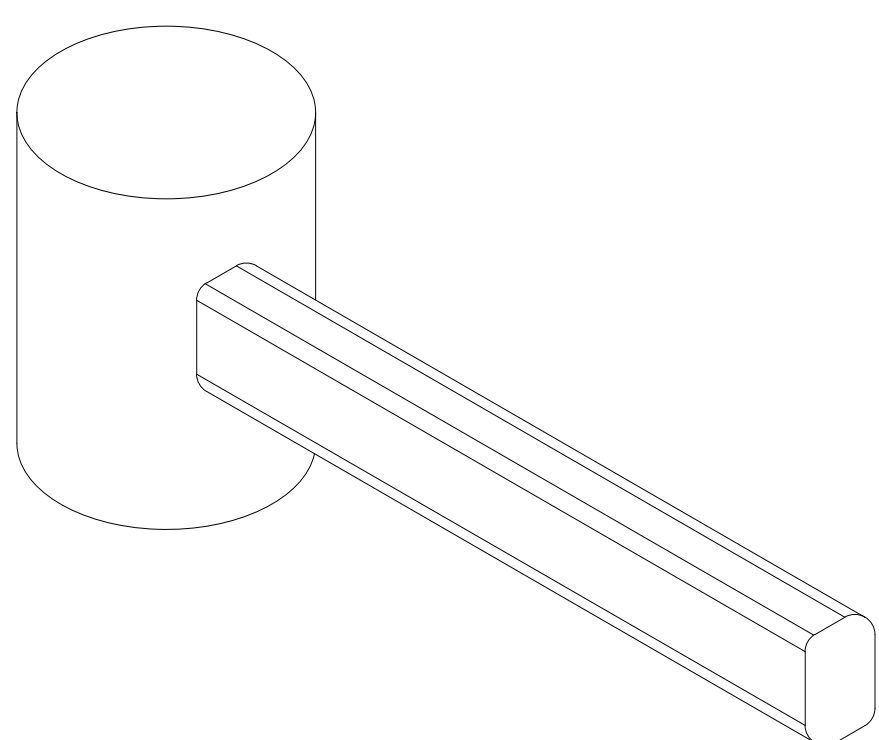
Ø6mm



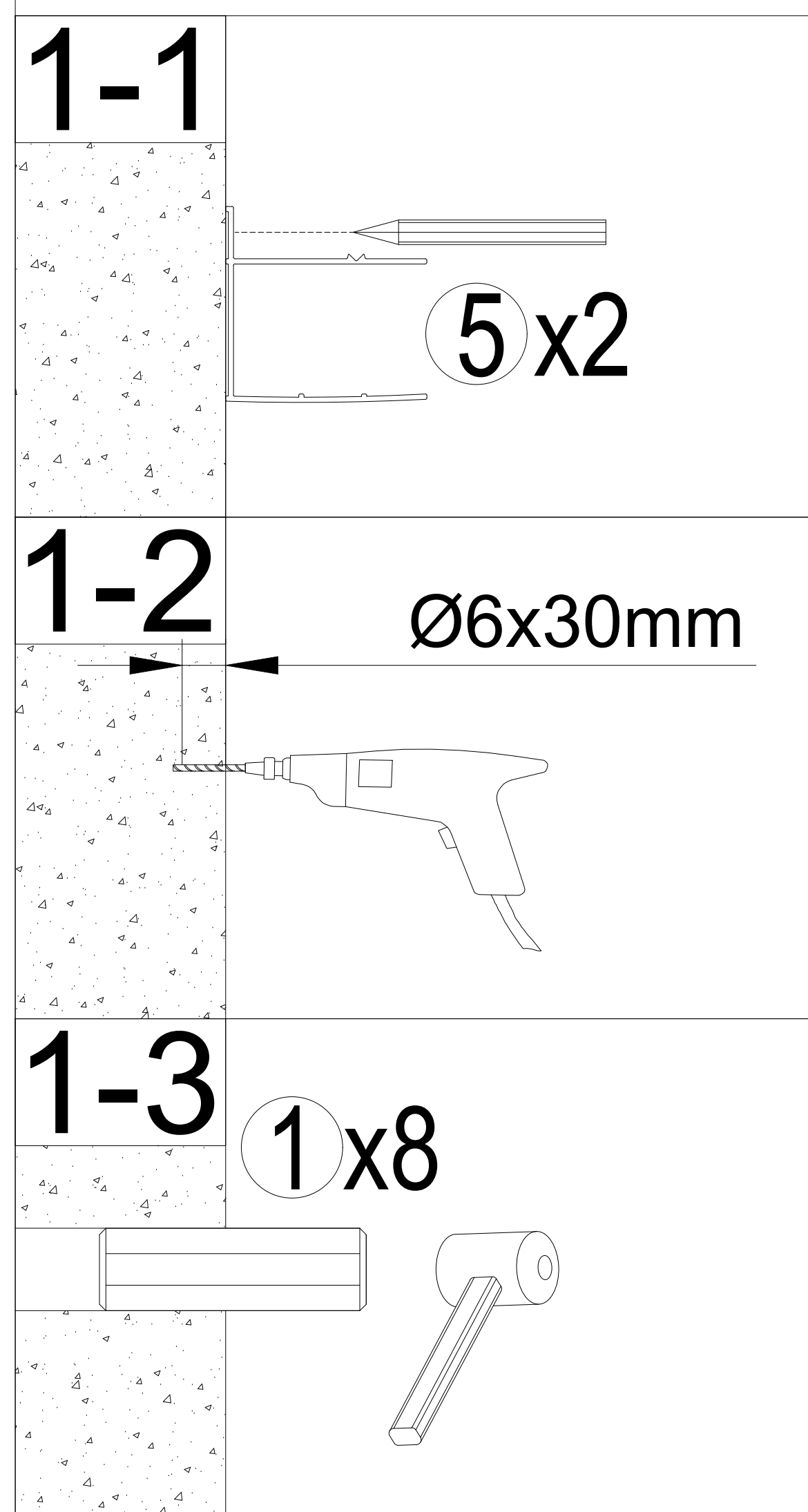
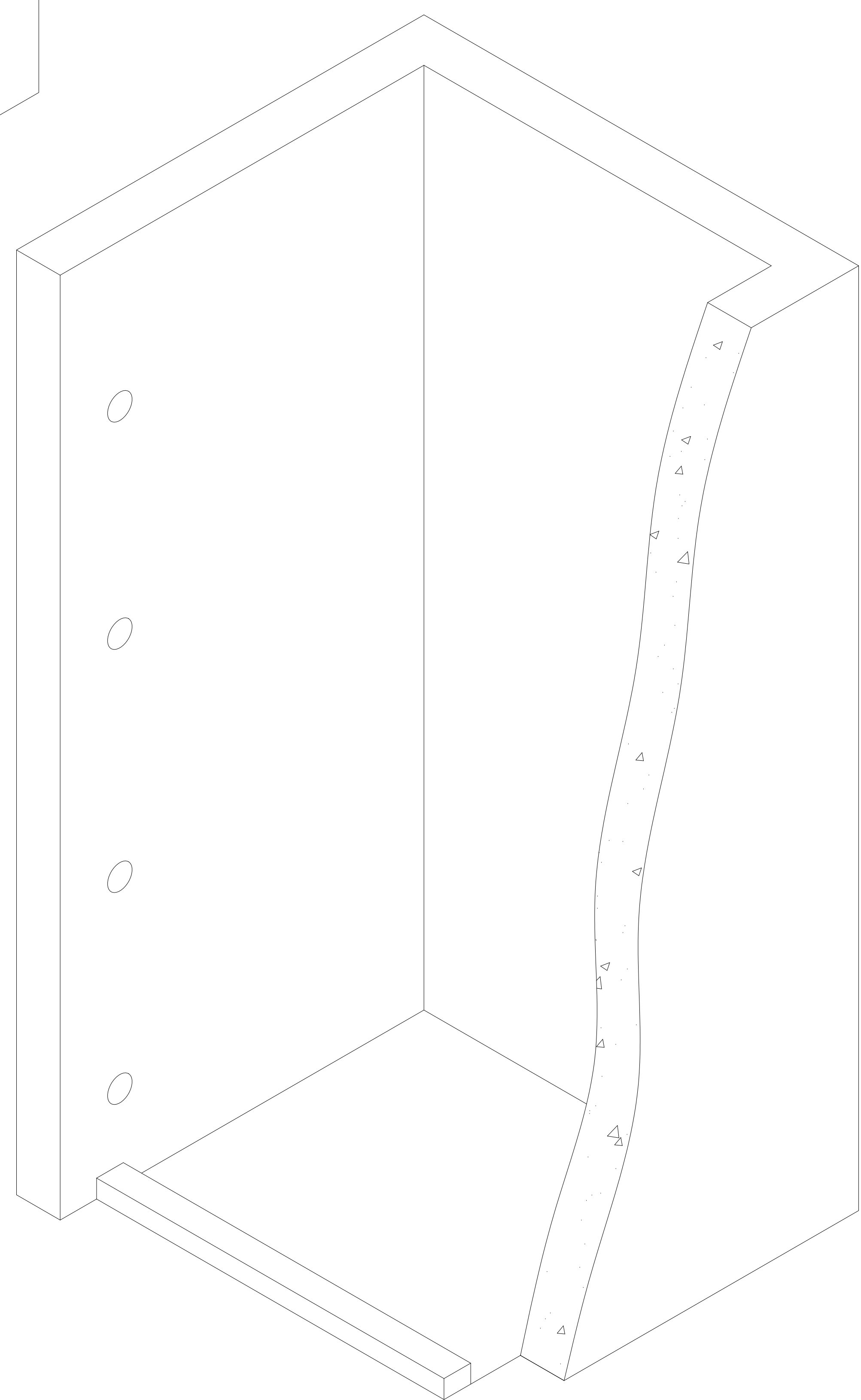
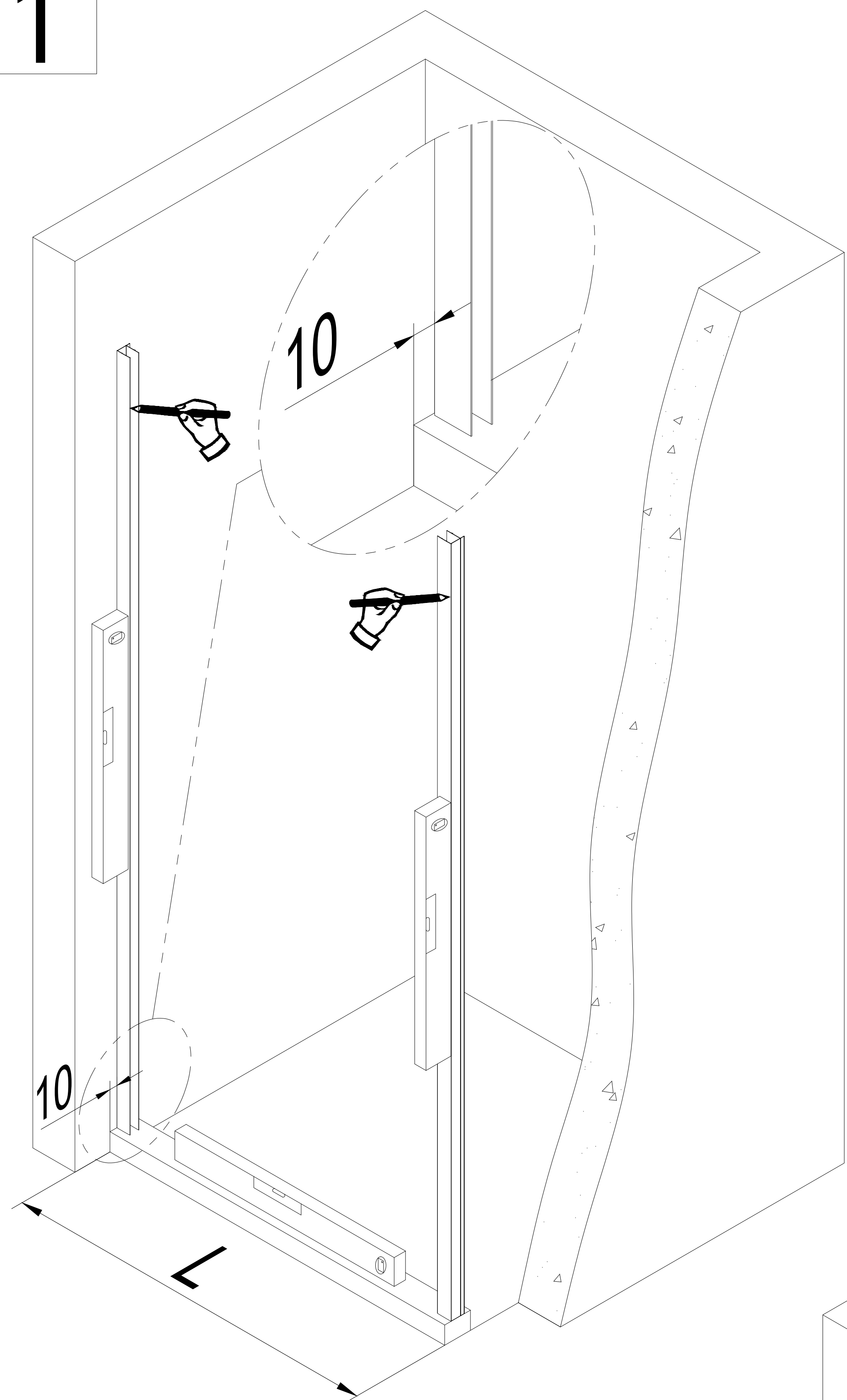
Ø3.2mm



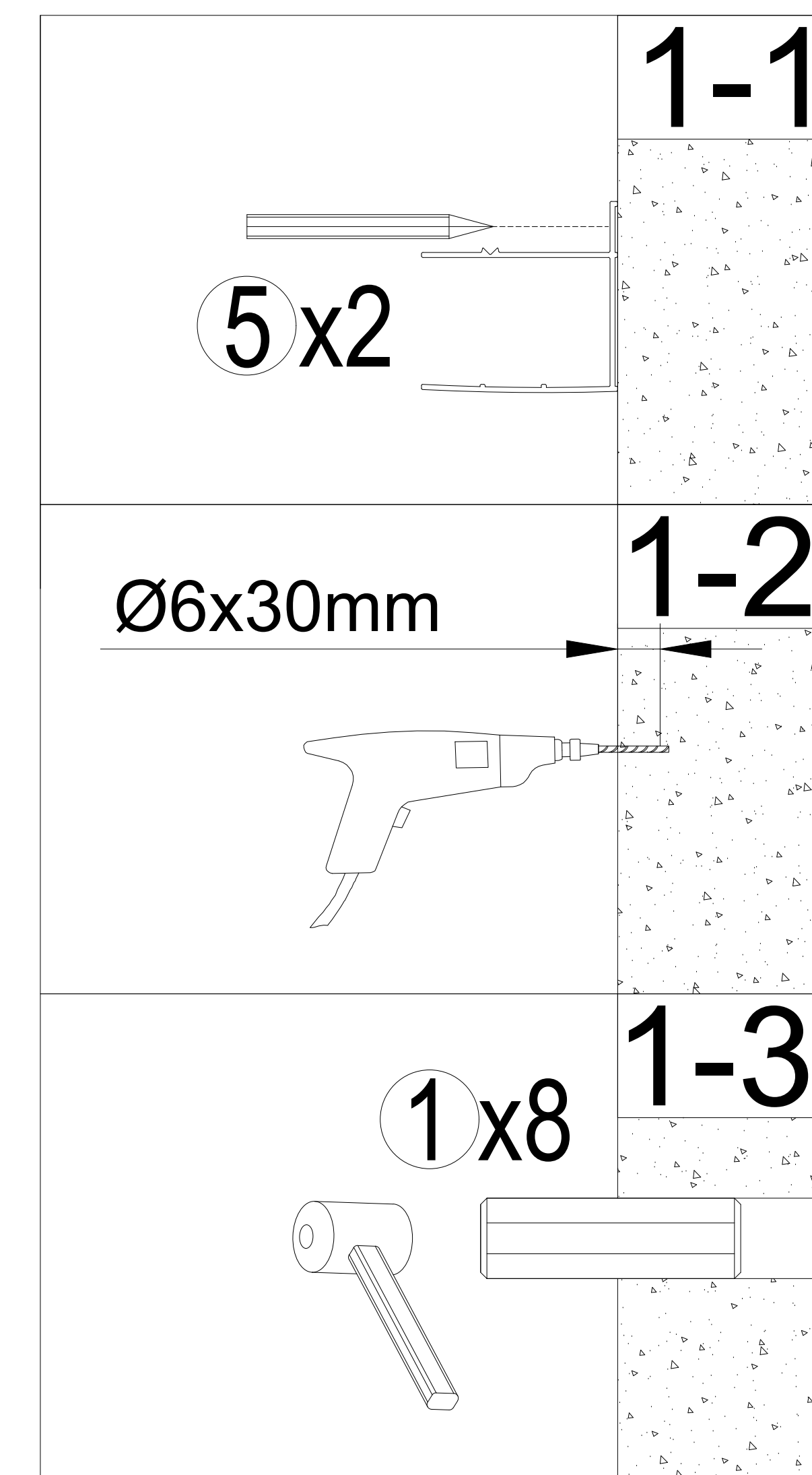
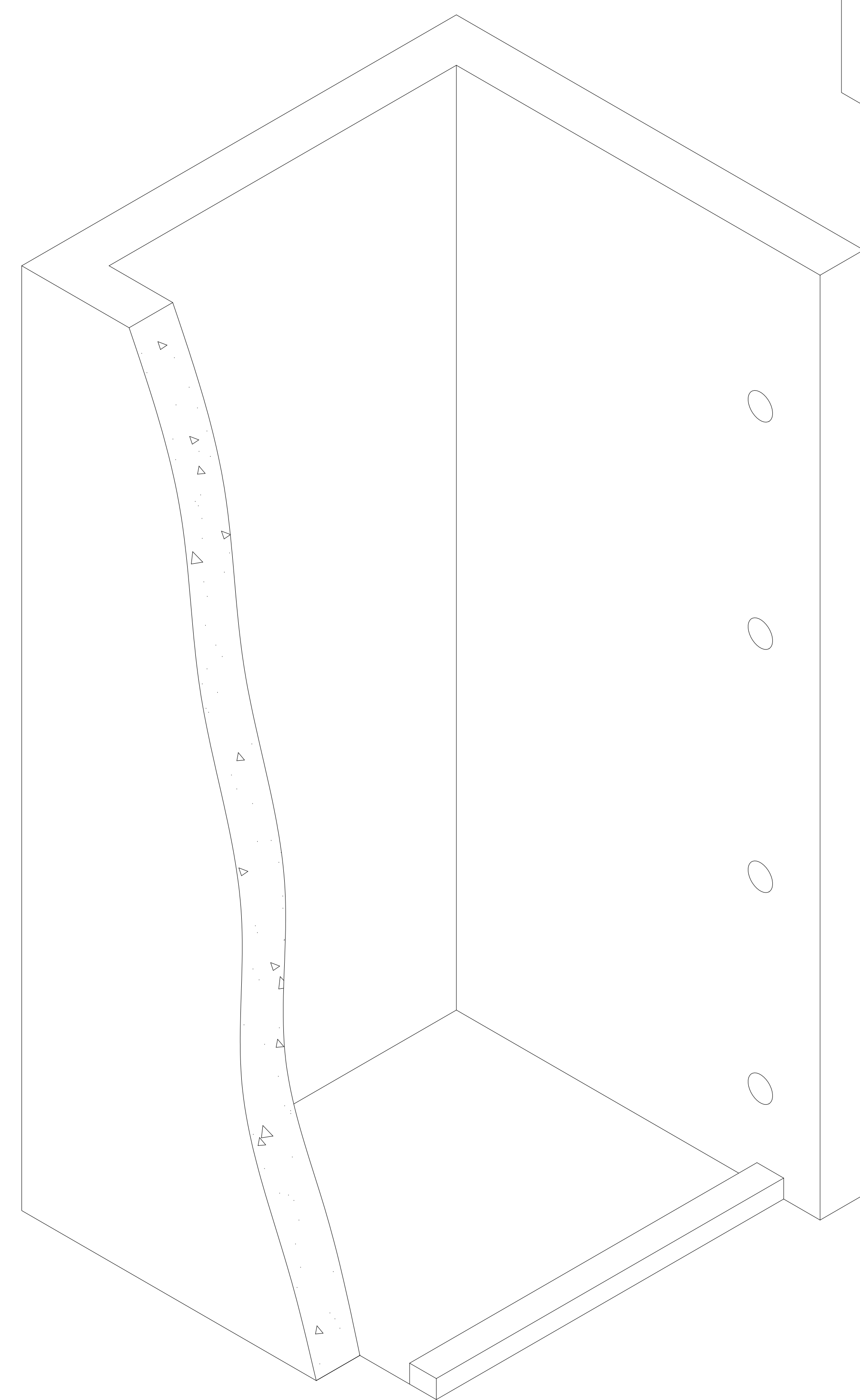
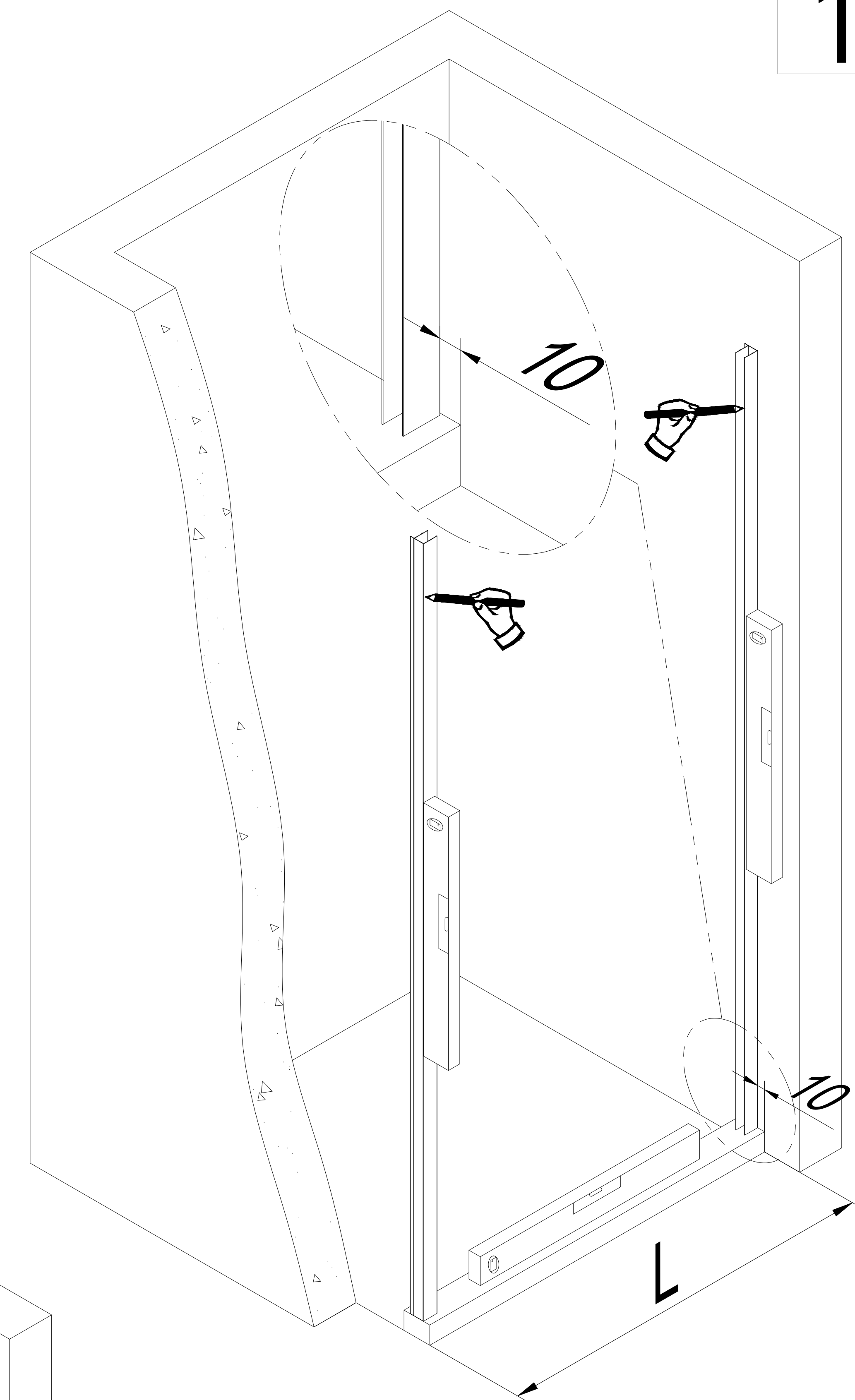
2.5 mm



1

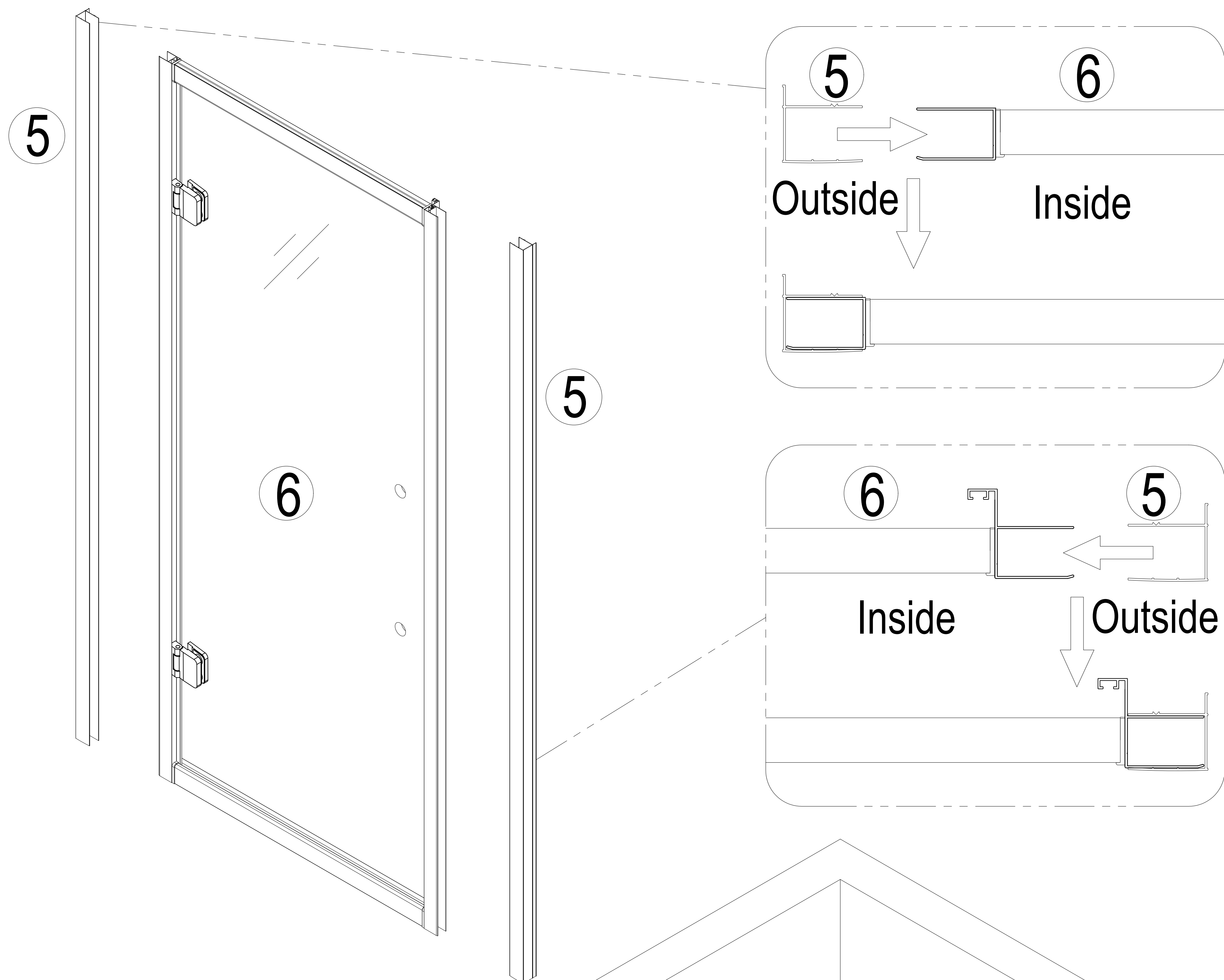


1

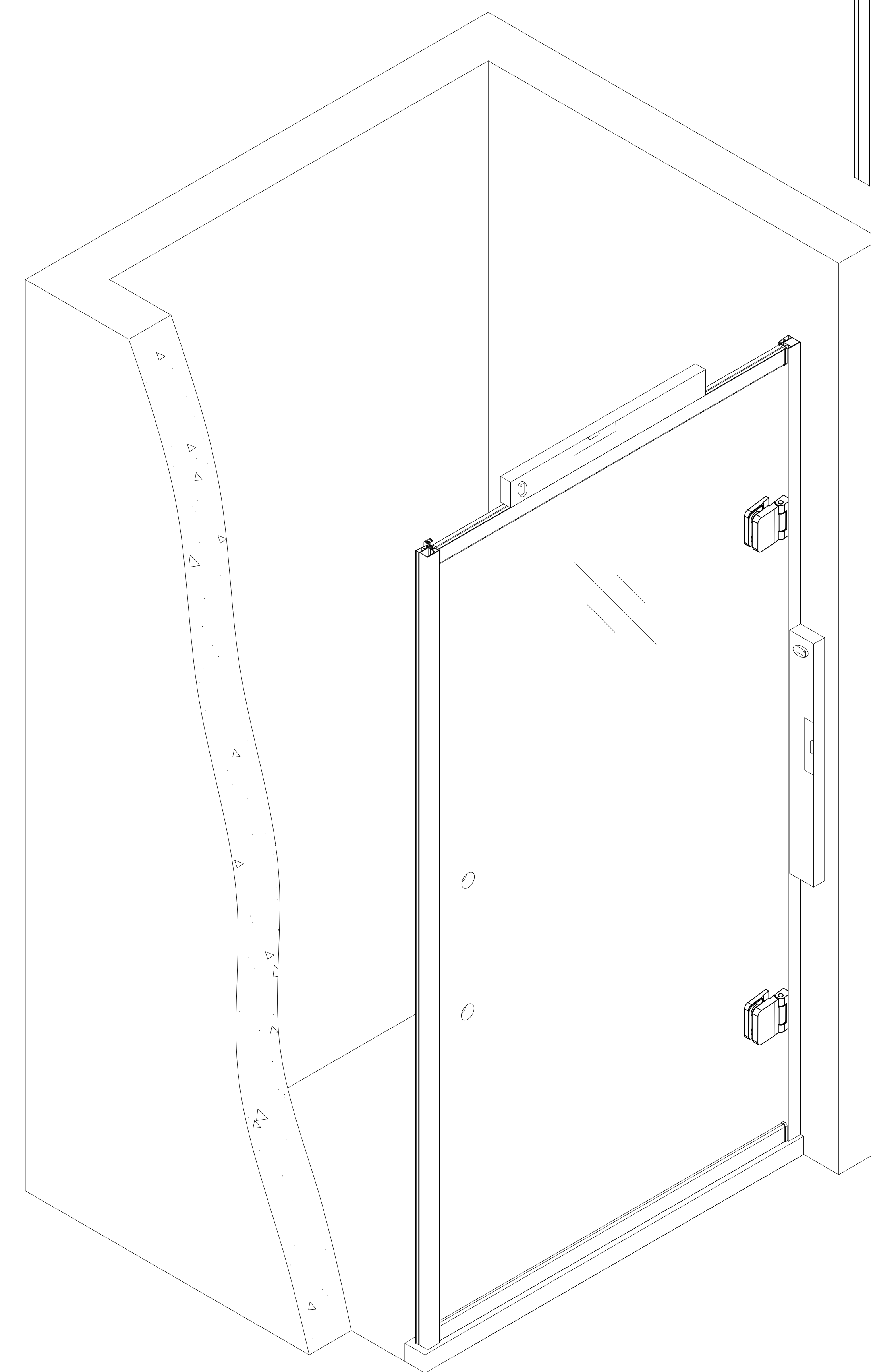
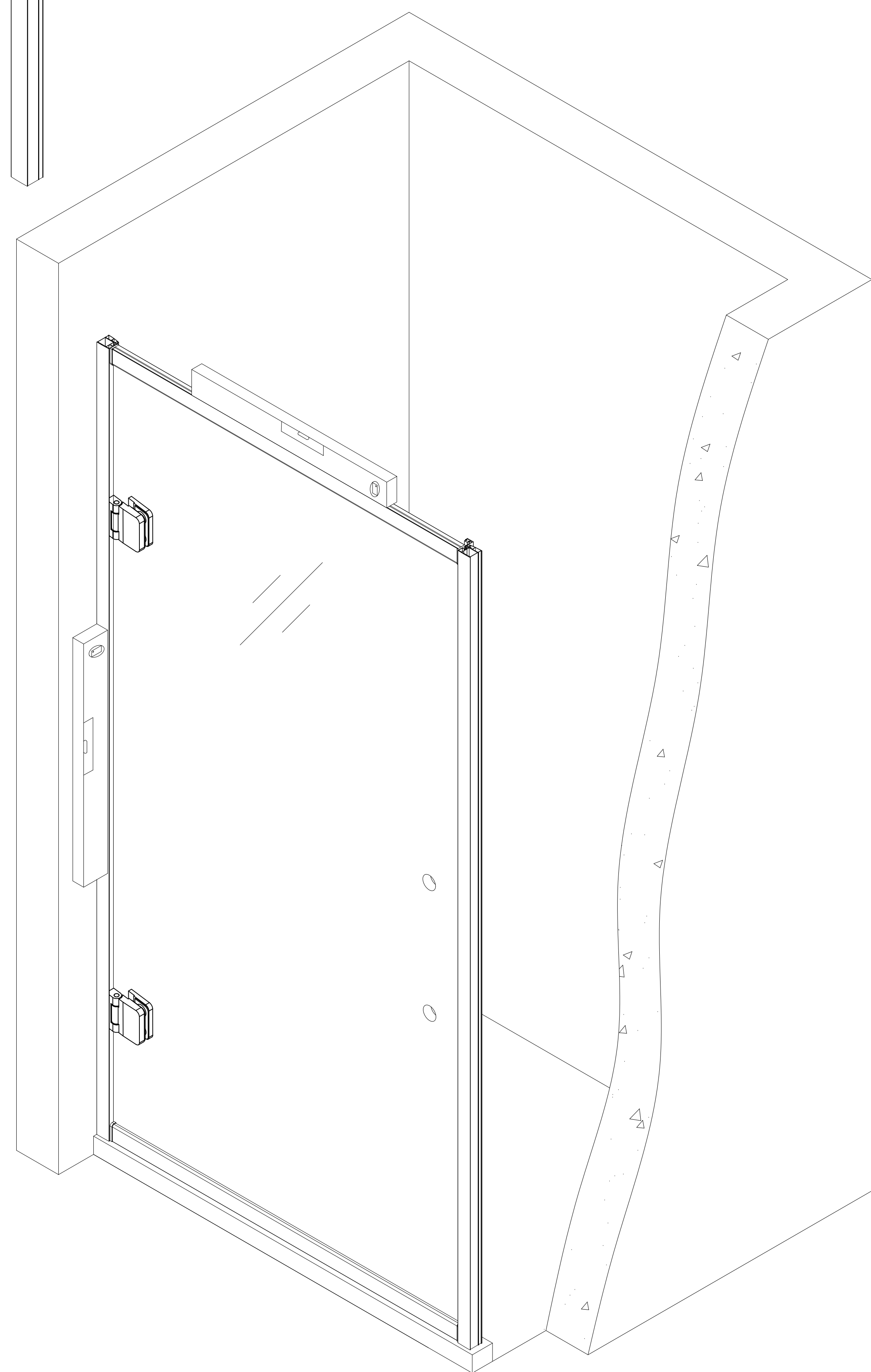
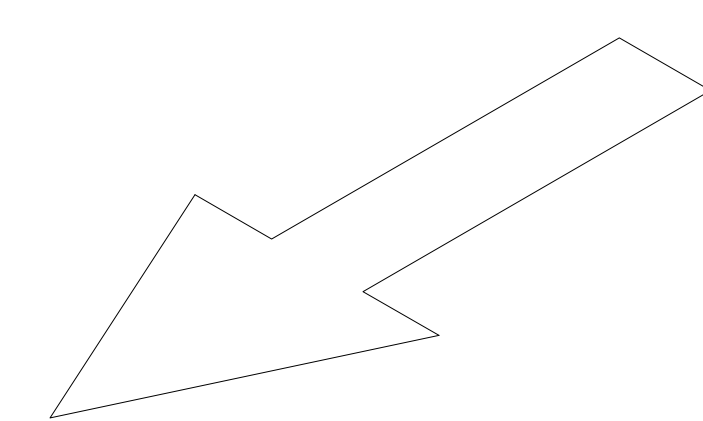
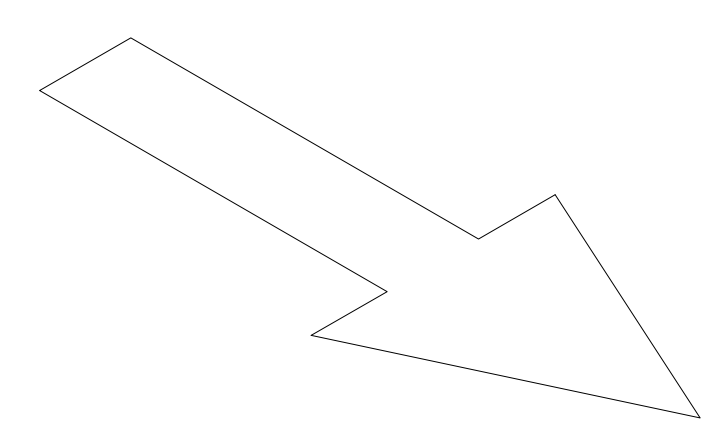
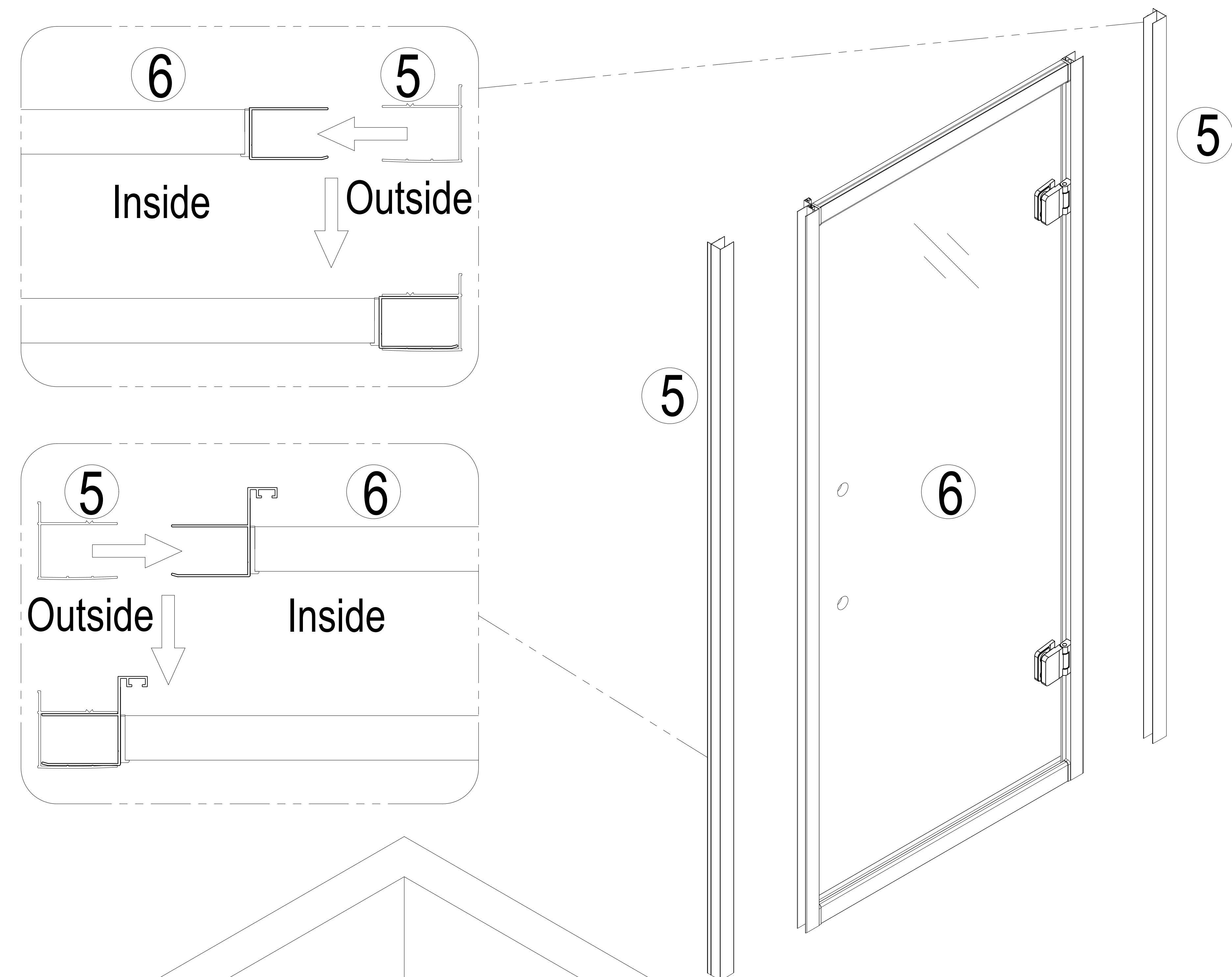




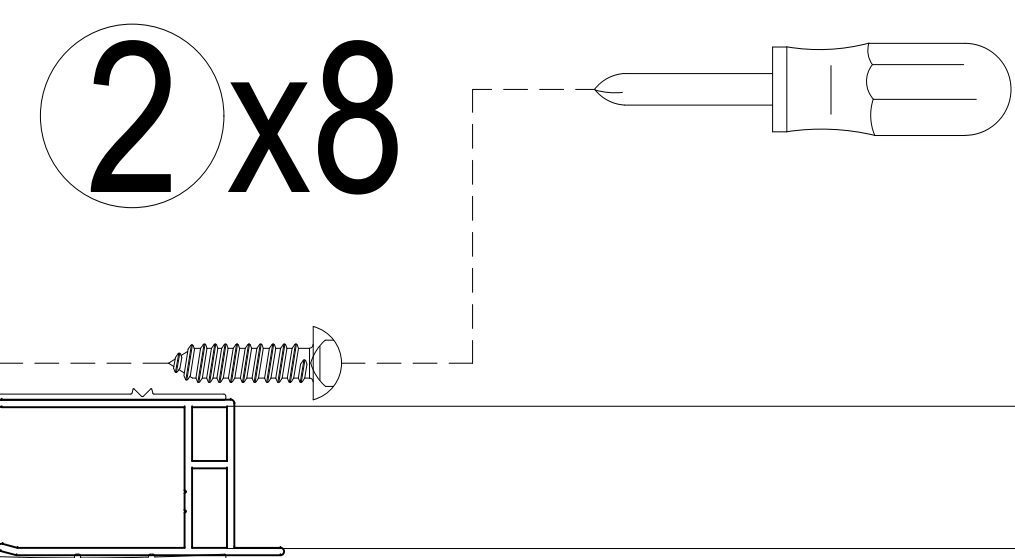
2



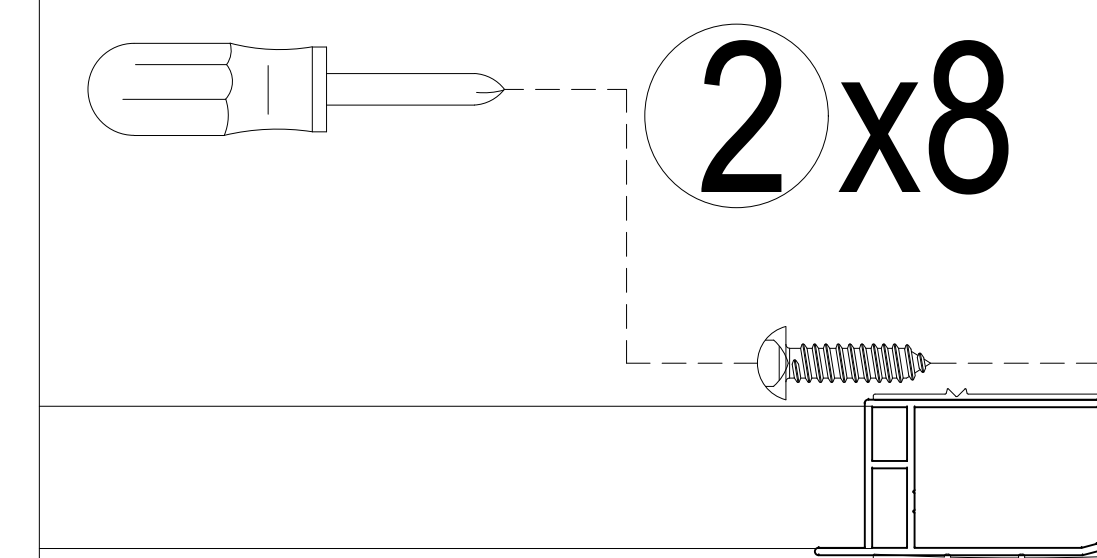
2



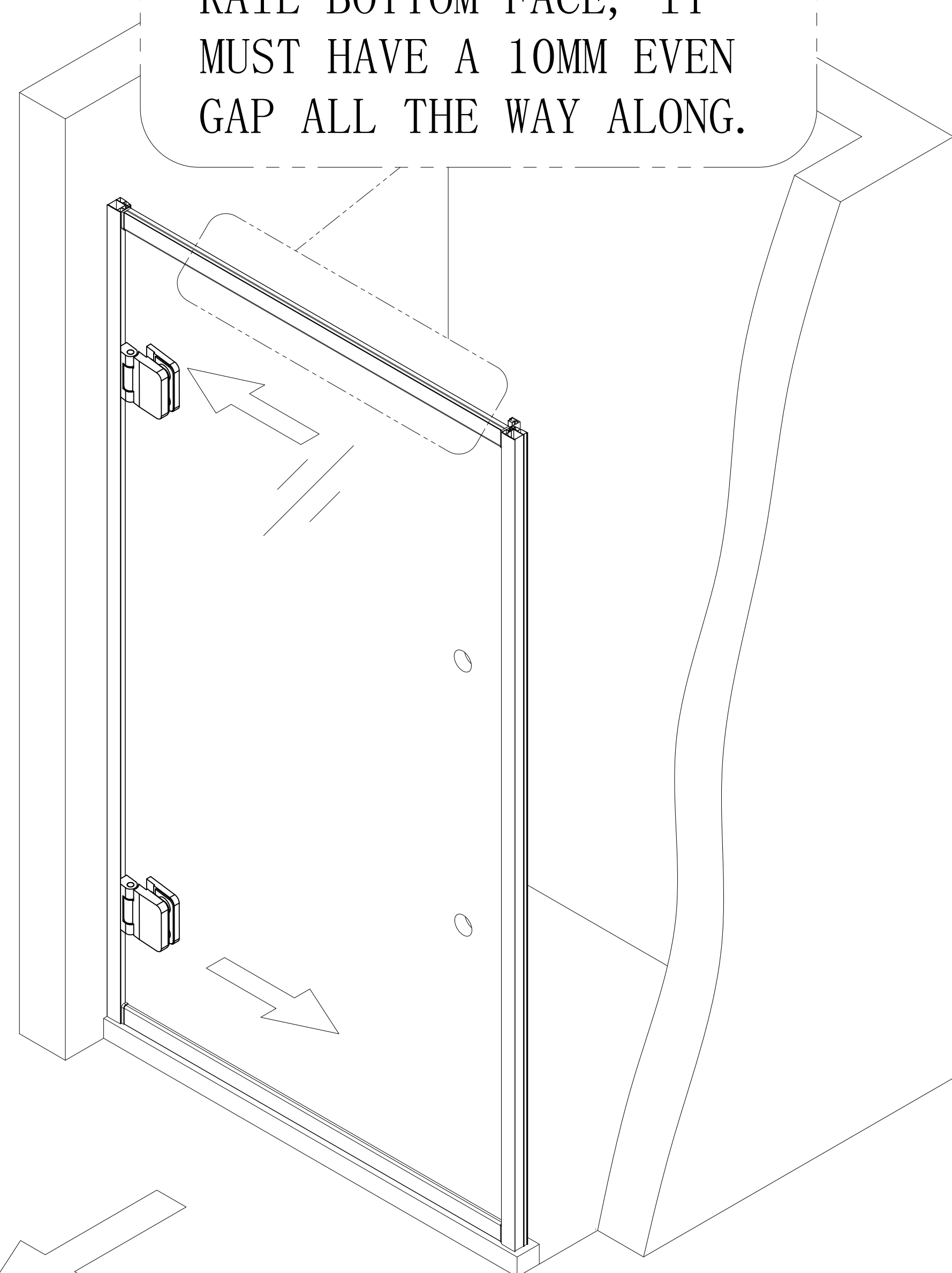
2-1



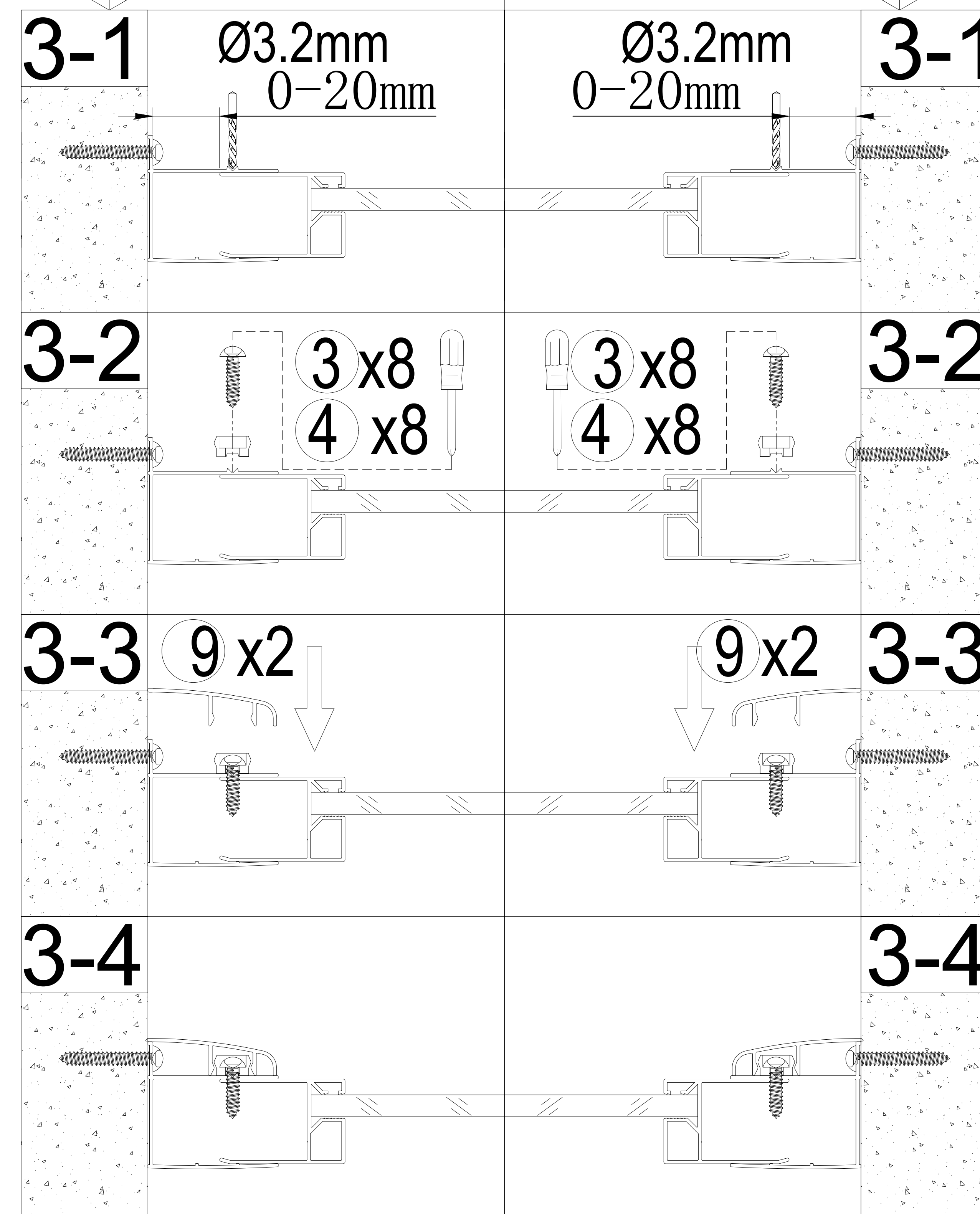
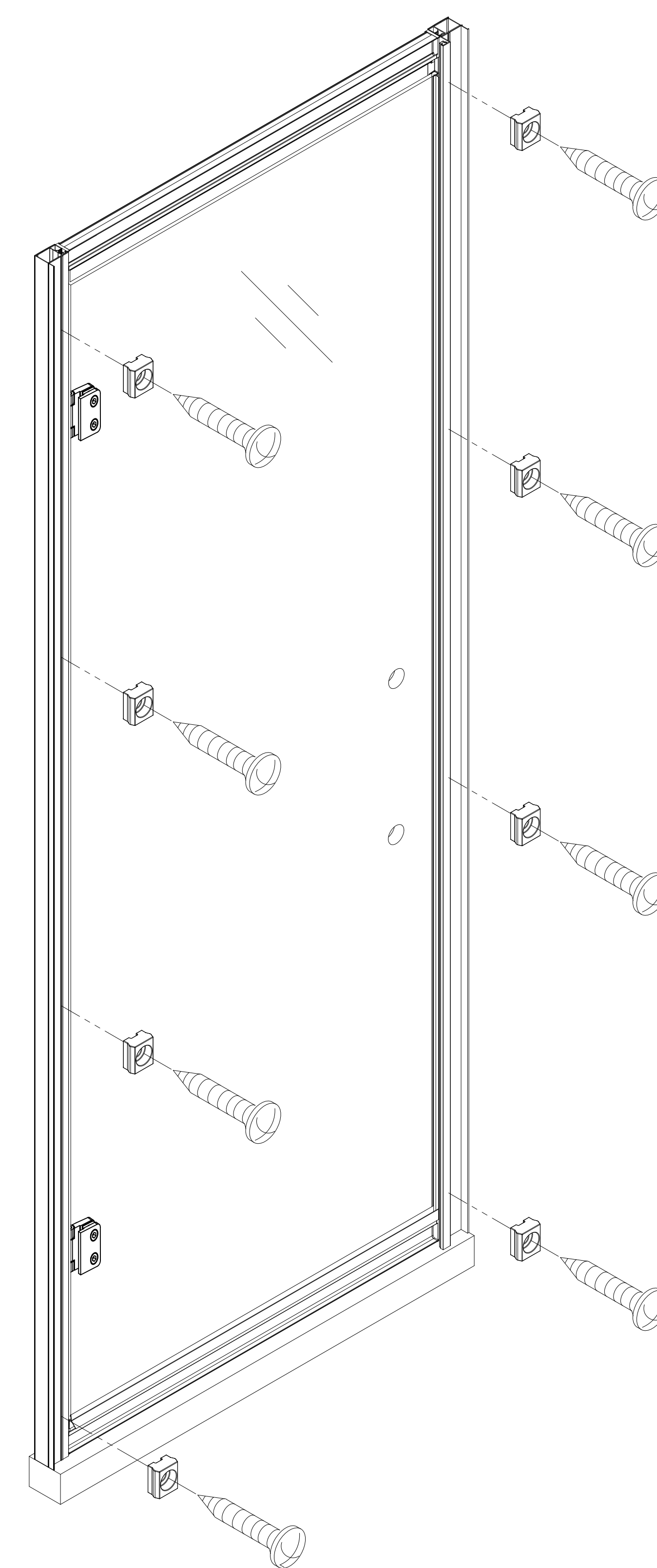
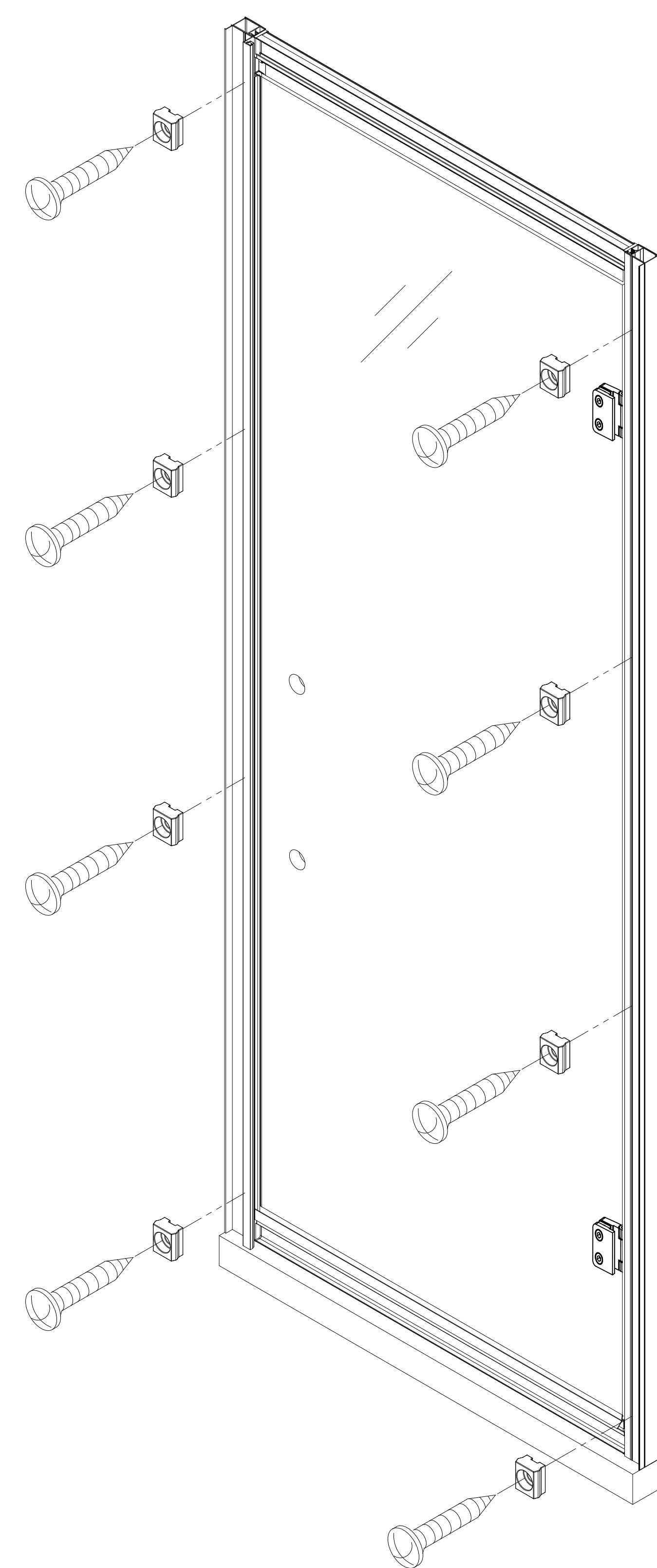
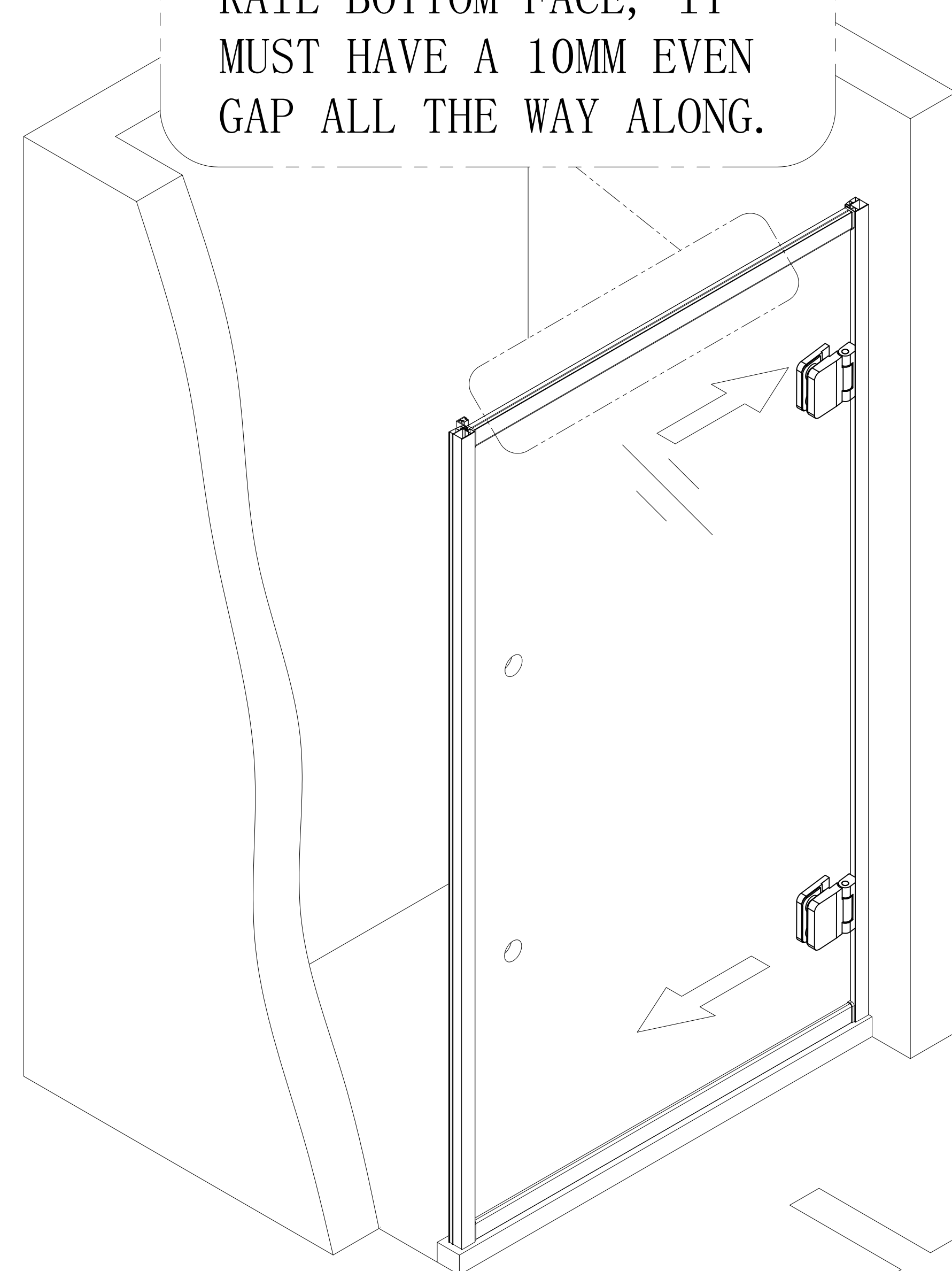
2-1

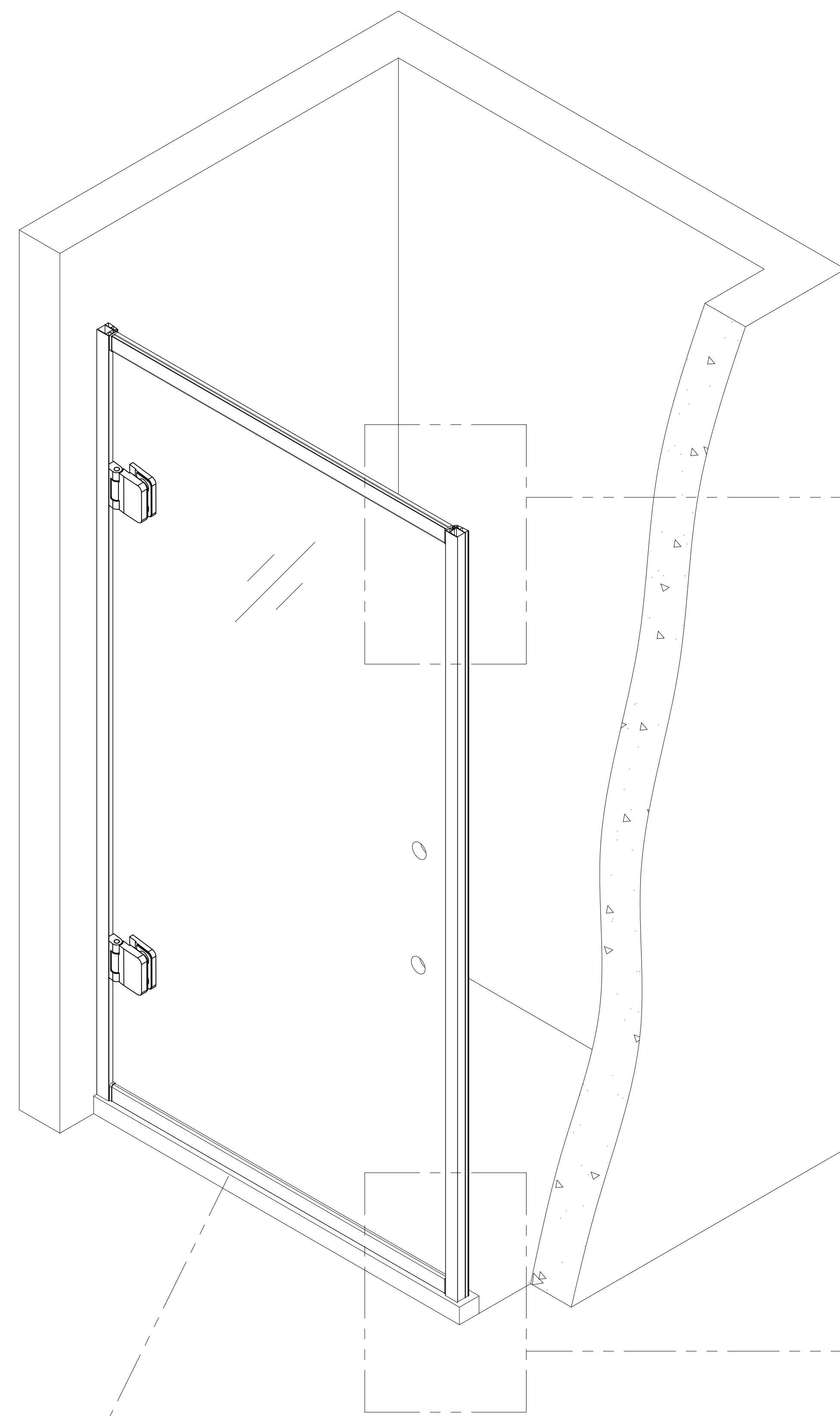


IT IS VERY IMPORTANT TO HAVE THE TOP OF THE GLASS PARALLEL TO THE RAIL BOTTOM FACE, IT MUST HAVE A 10MM EVEN GAP ALL THE WAY ALONG.

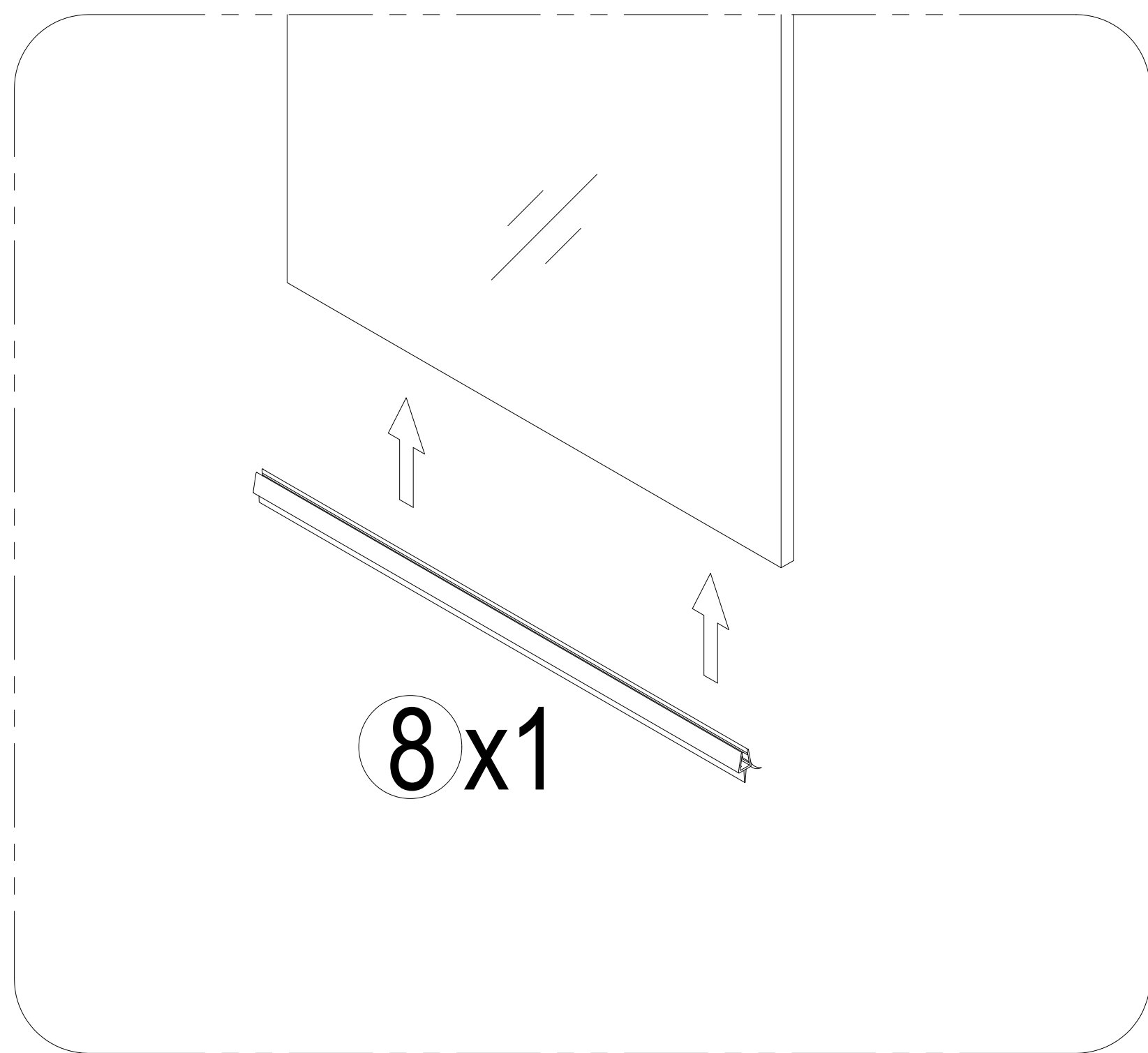
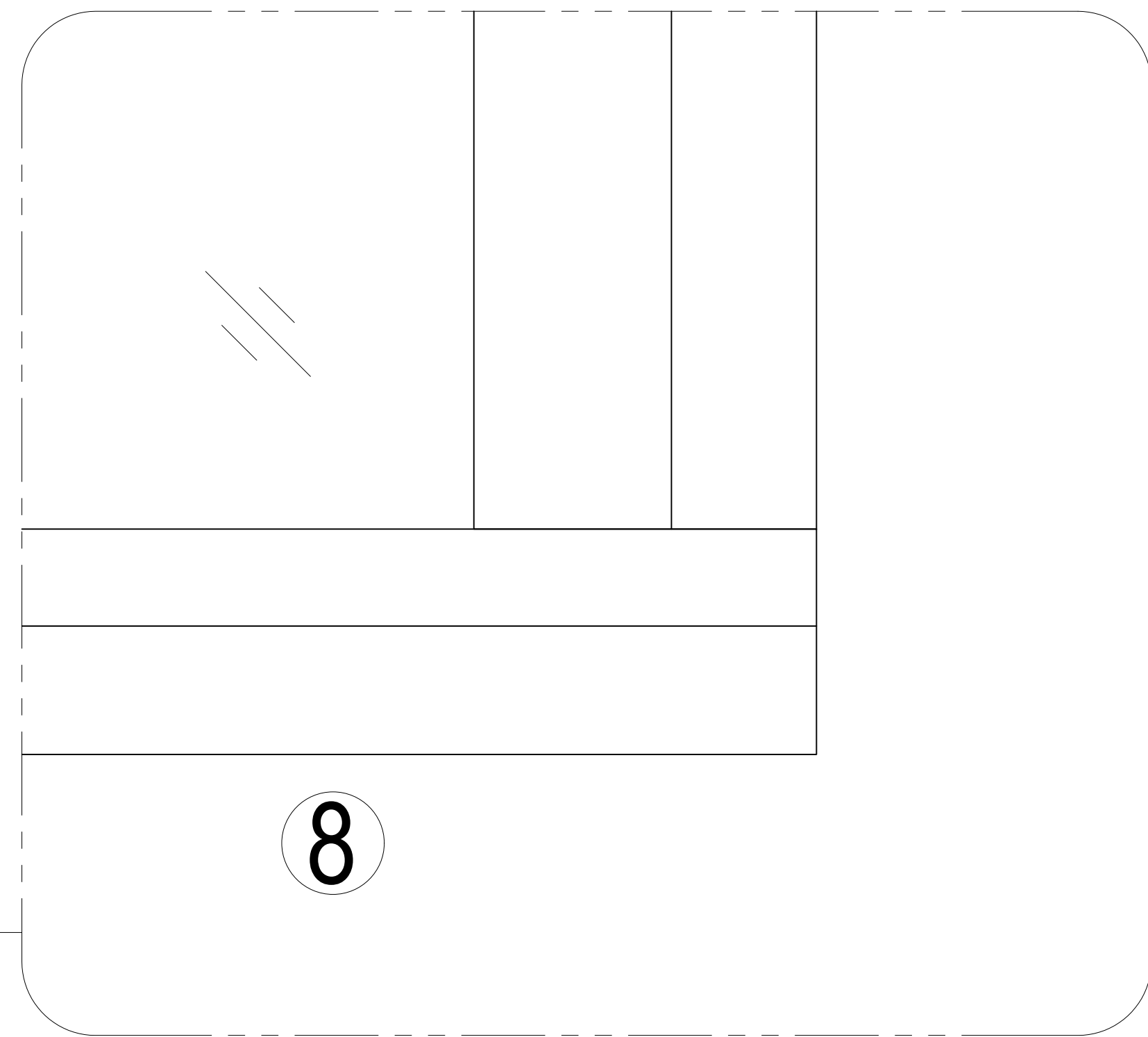
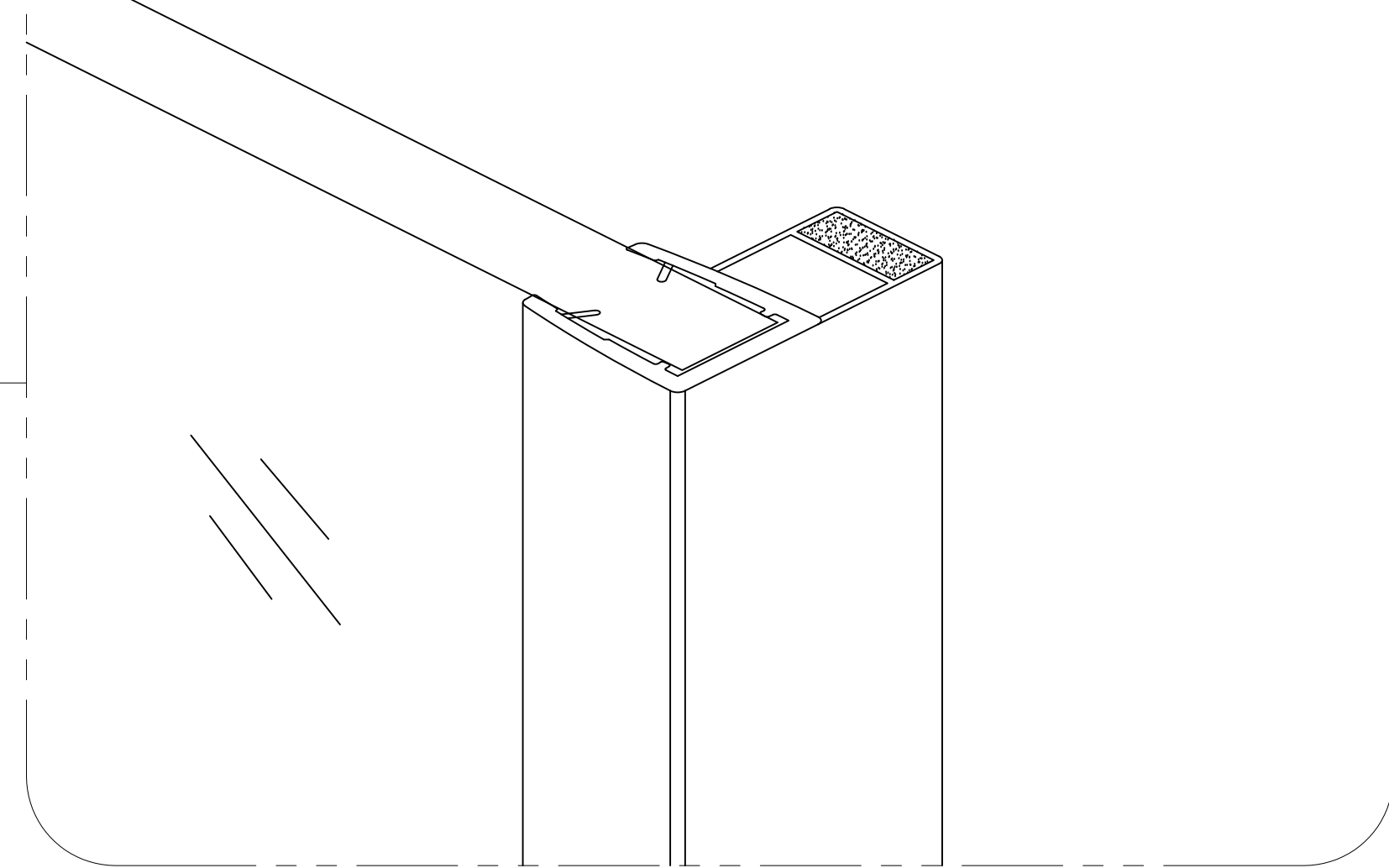


IT IS VERY IMPORTANT TO HAVE THE TOP OF THE GLASS PARALLEL TO THE RAIL BOTTOM FACE, IT MUST HAVE A 10MM EVEN GAP ALL THE WAY ALONG.

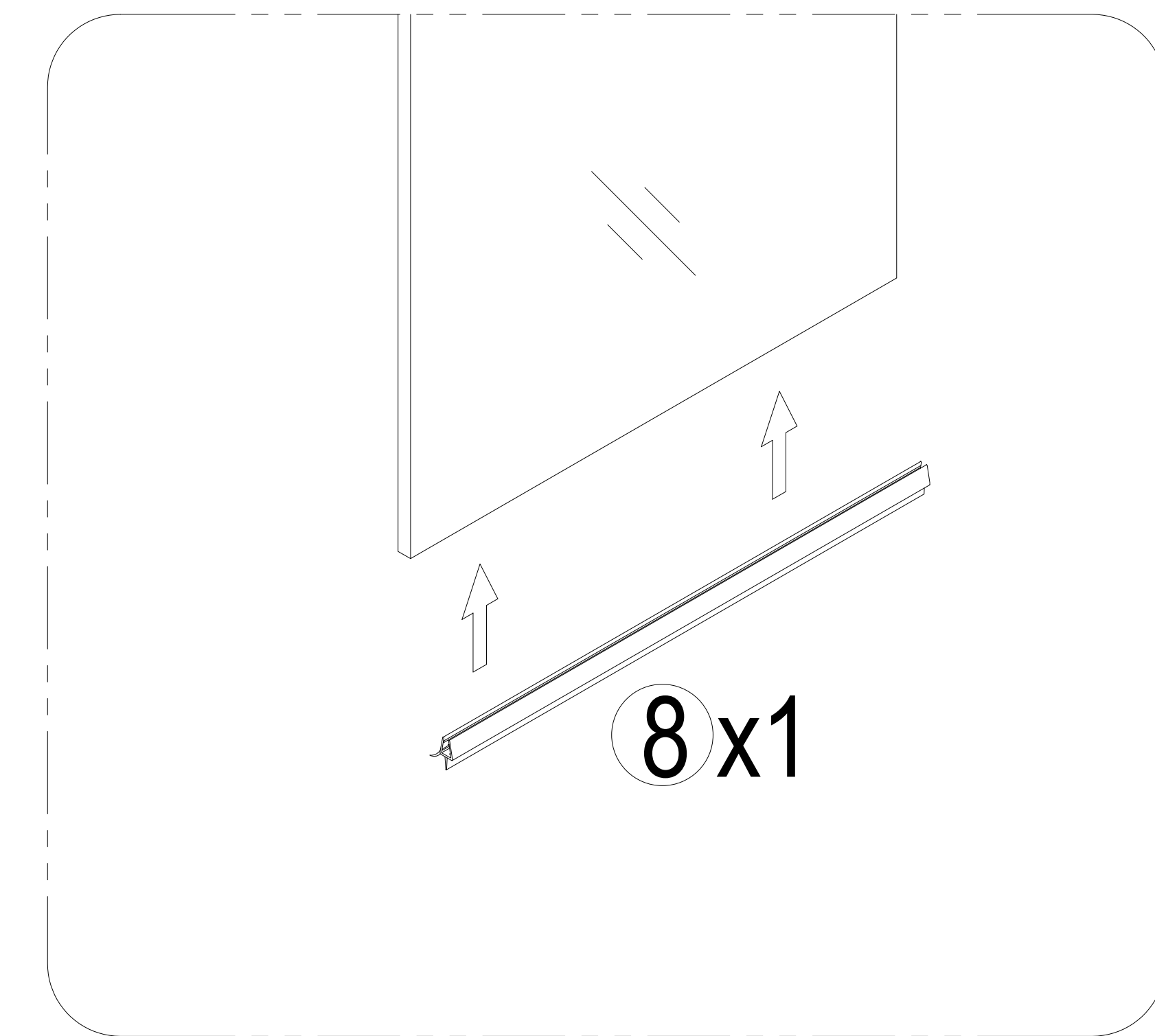
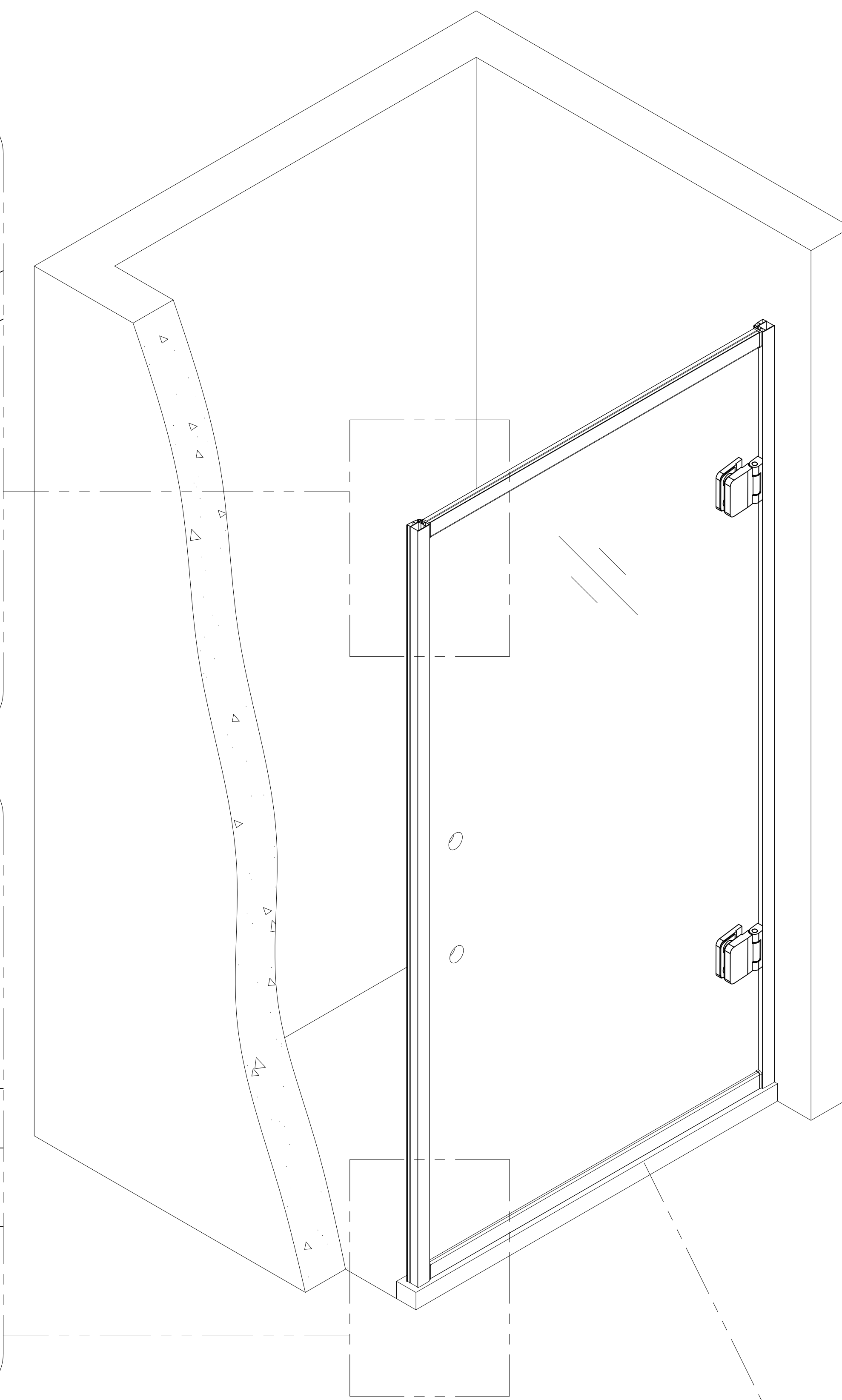
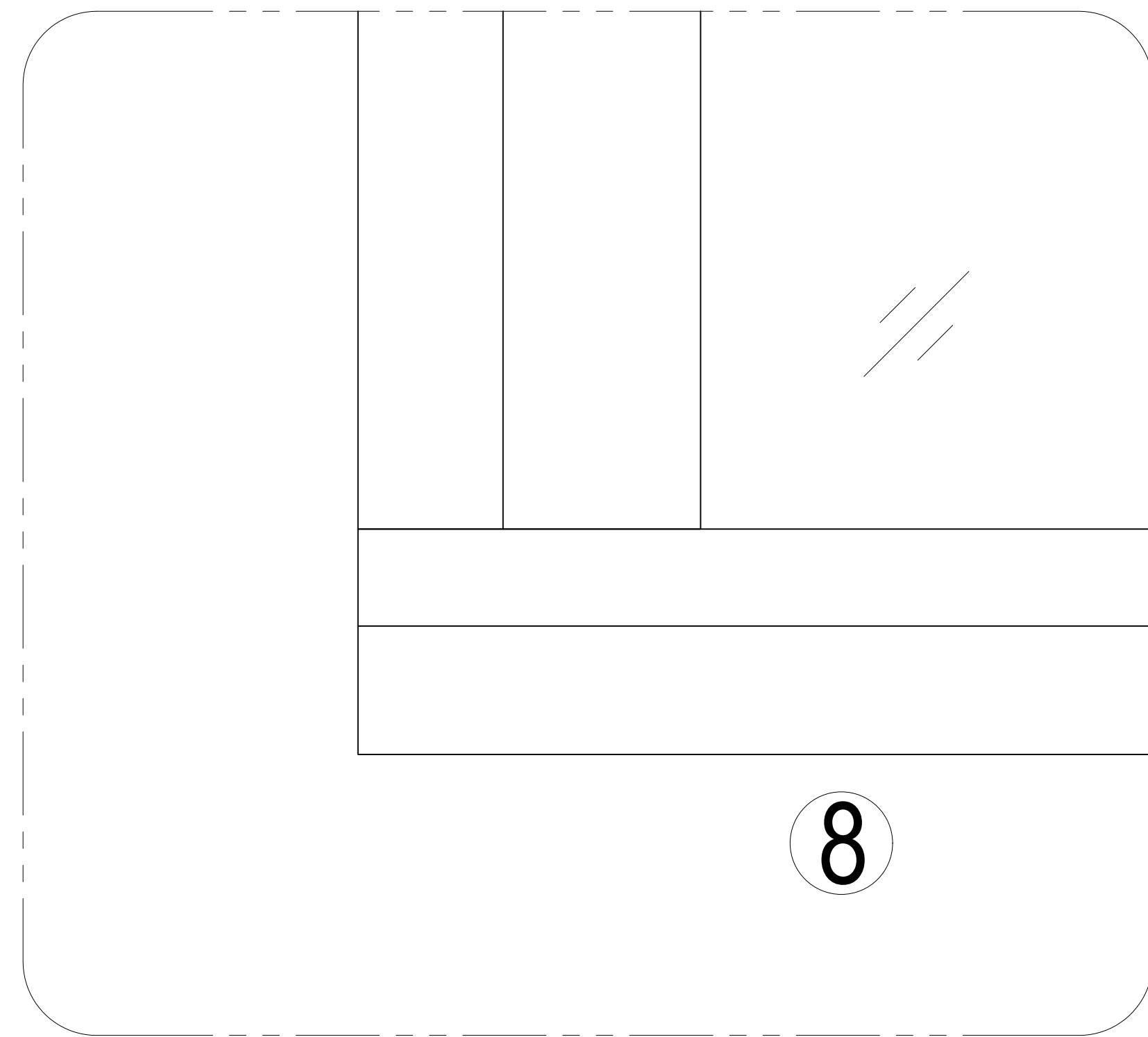
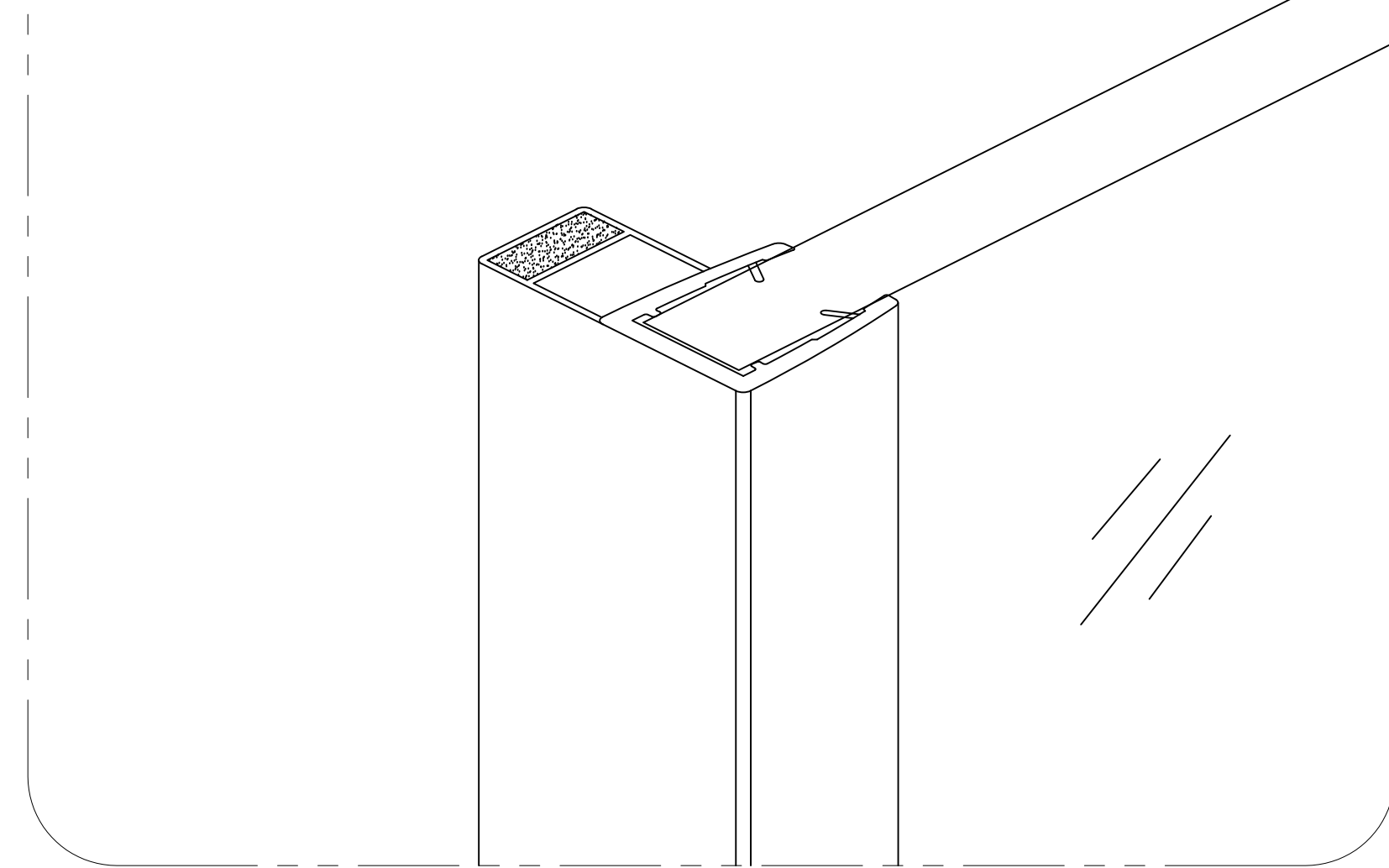


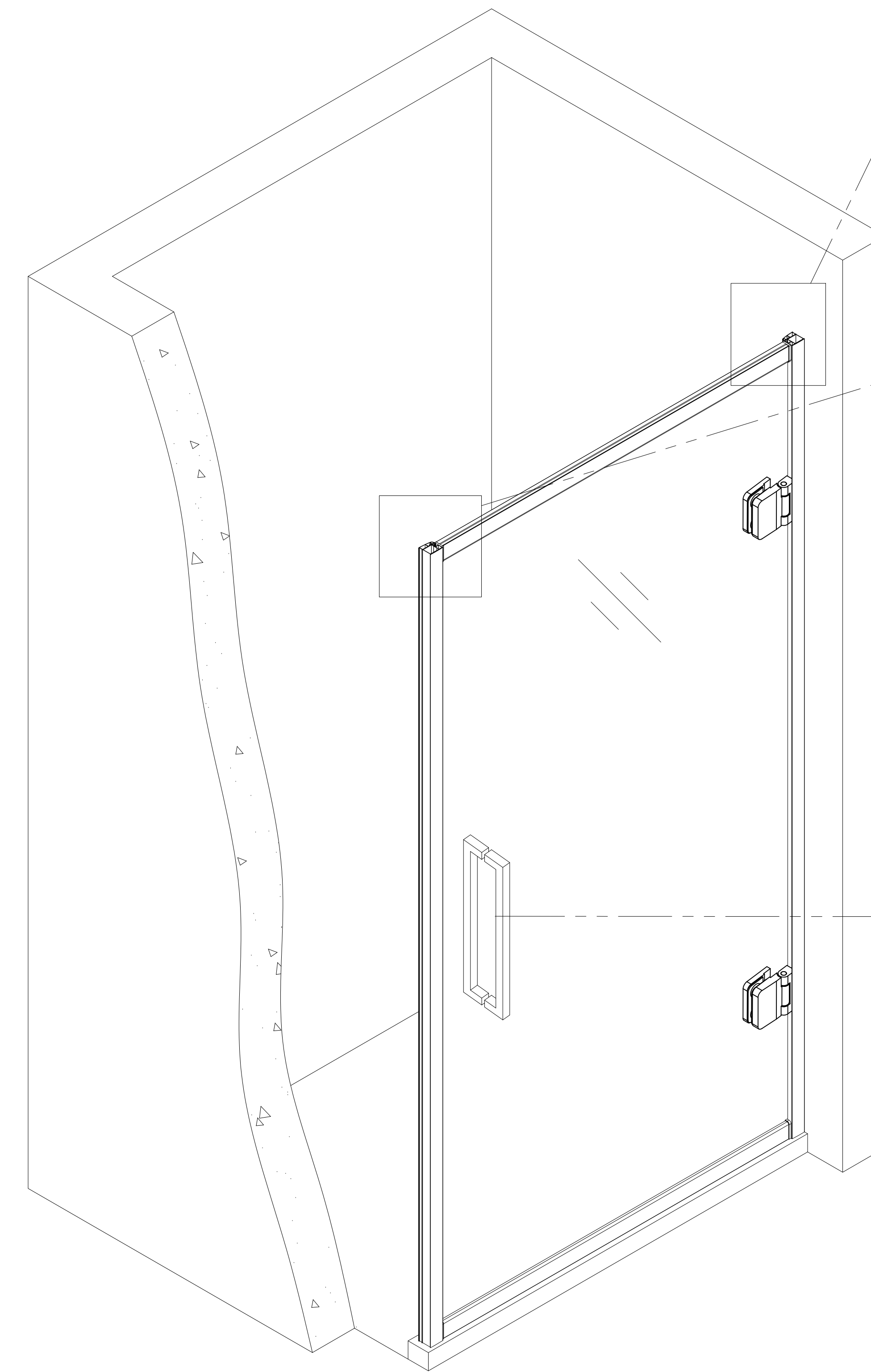
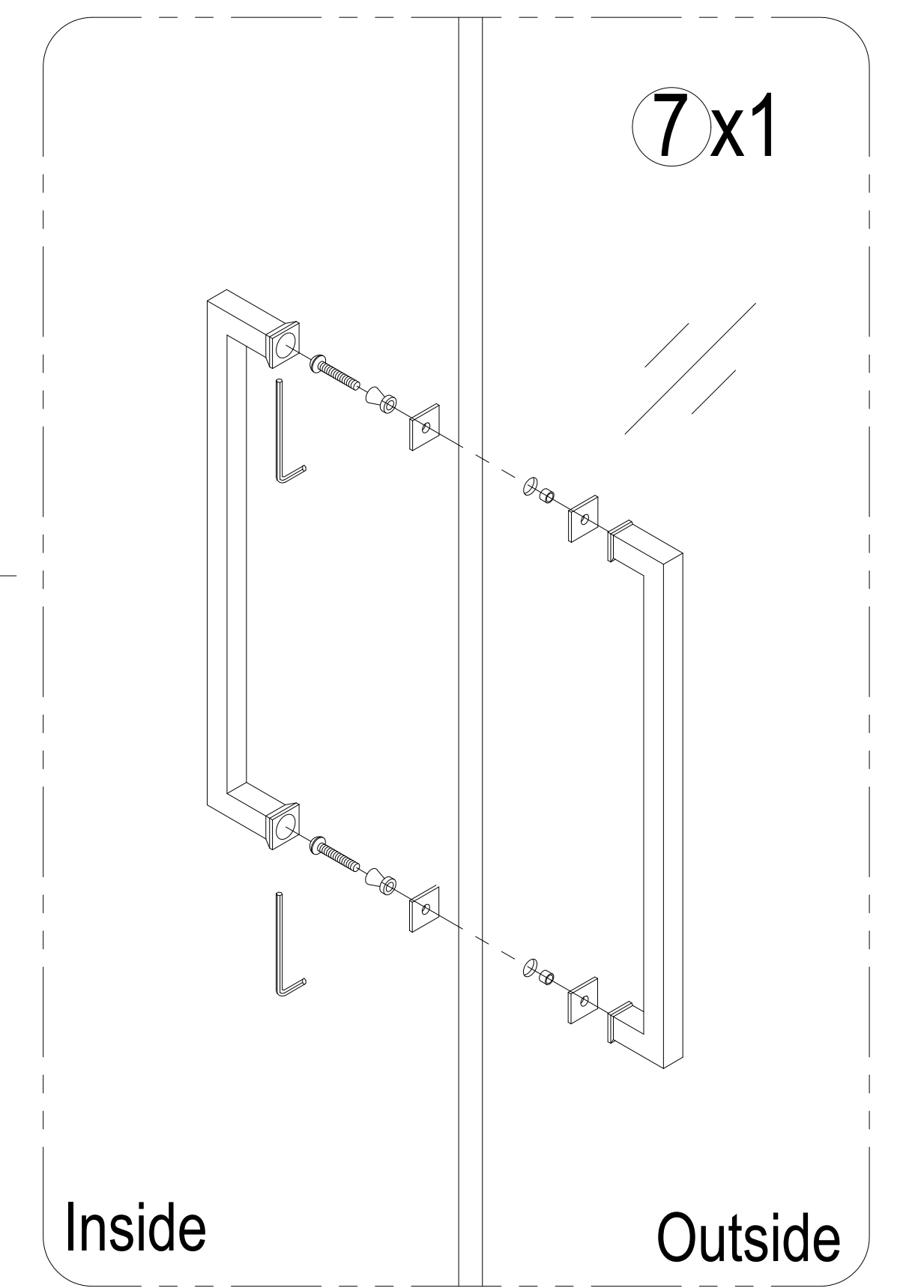
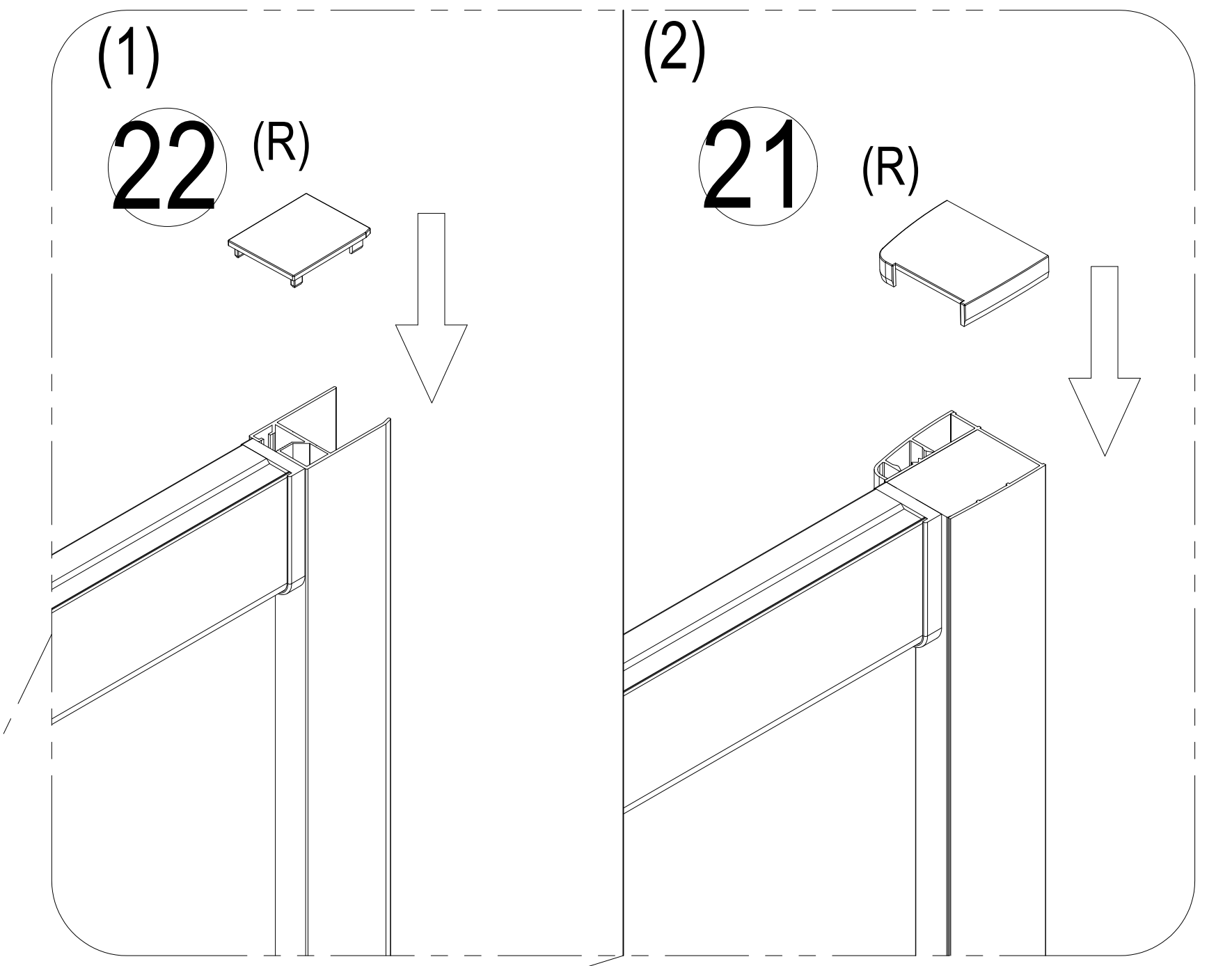
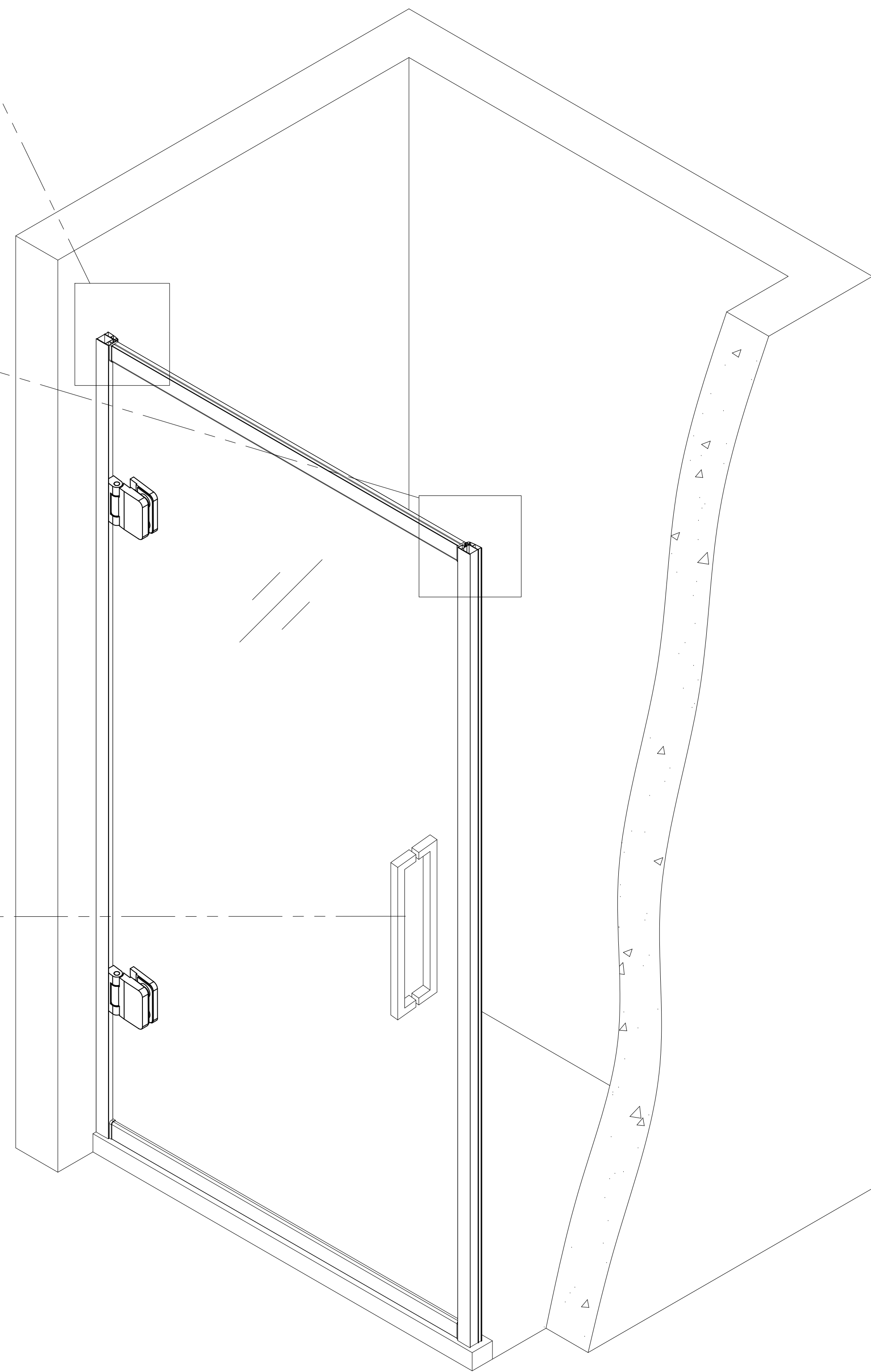
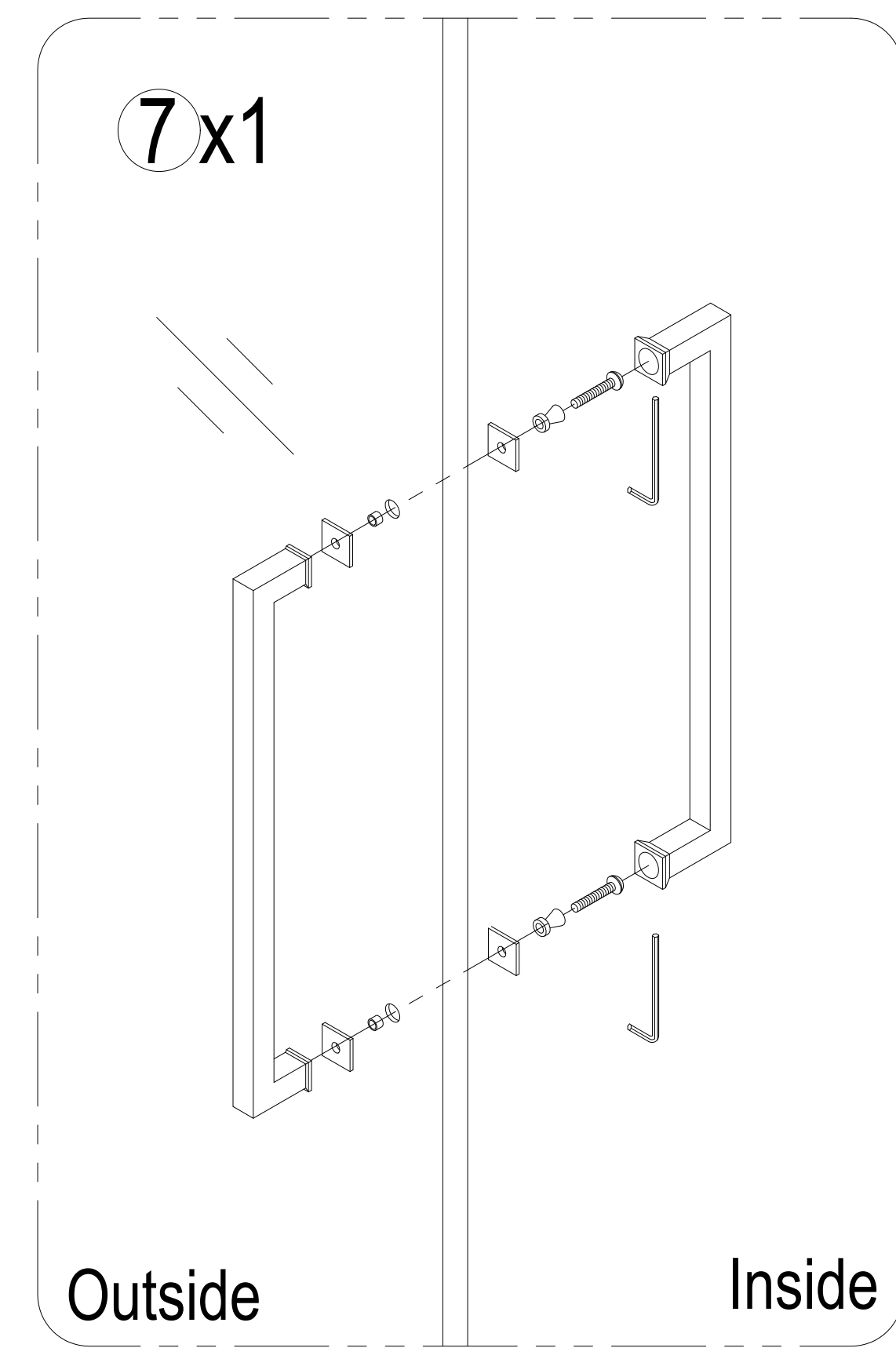
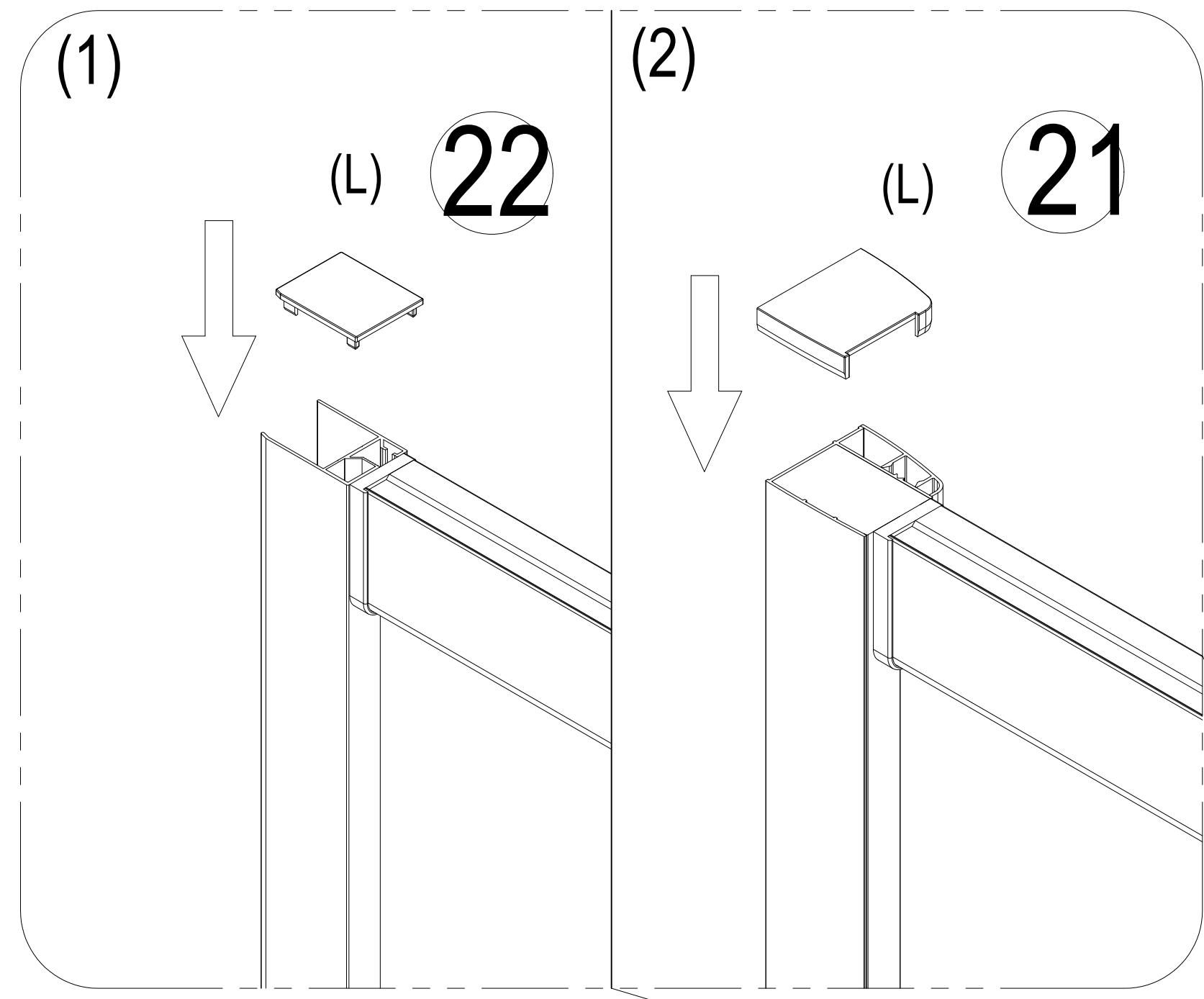


IT IS VERY IMPORTANT TO KEEP THE TOP OF THE MAGNETIC SEAL TO THE SAME HEIGHT OF THE TOP OF THE GLASS.



IT IS VERY IMPORTANT TO KEEP THE TOP OF THE MAGNETIC SEAL TO THE SAME HEIGHT OF THE TOP OF THE GLASS.

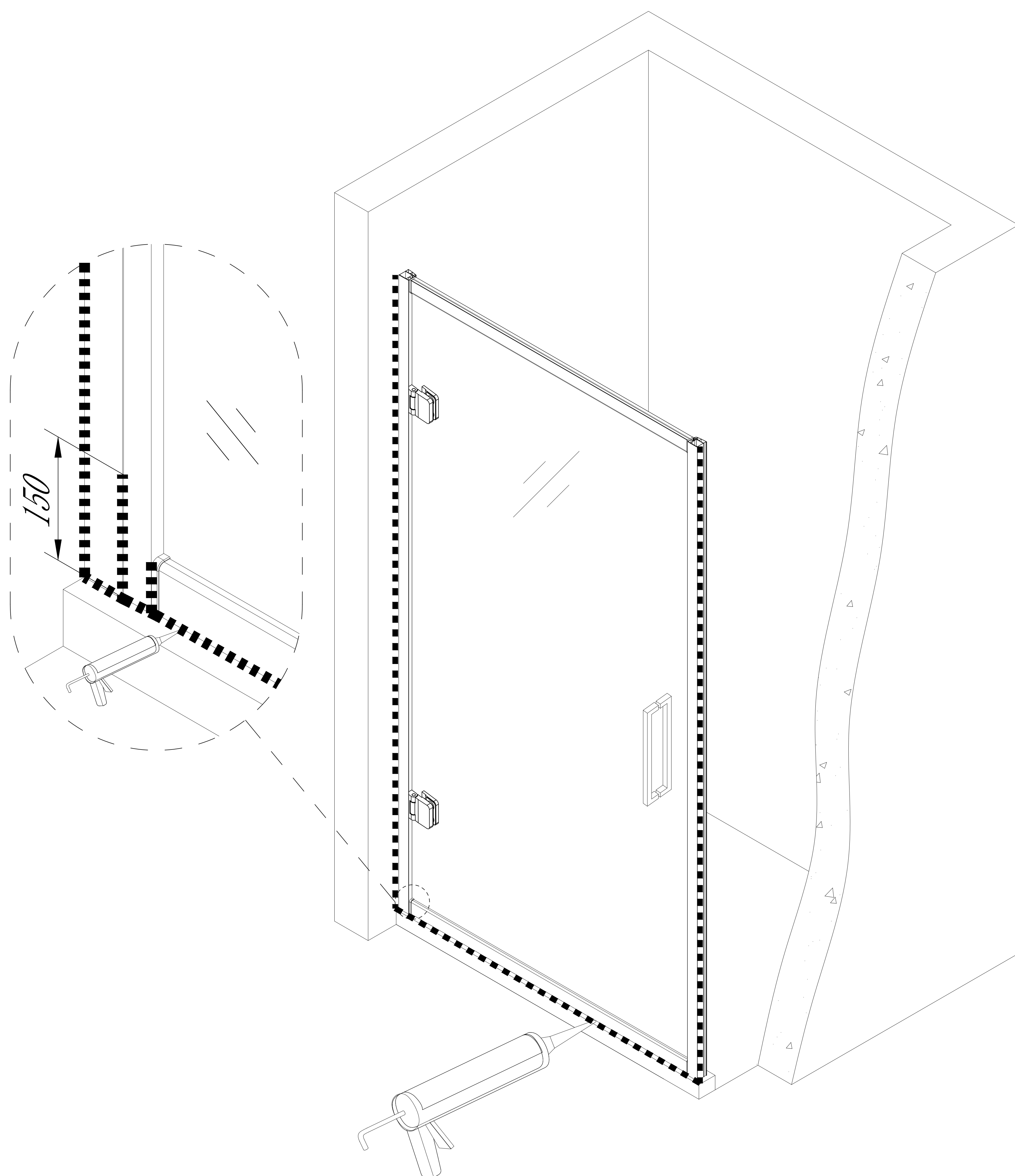






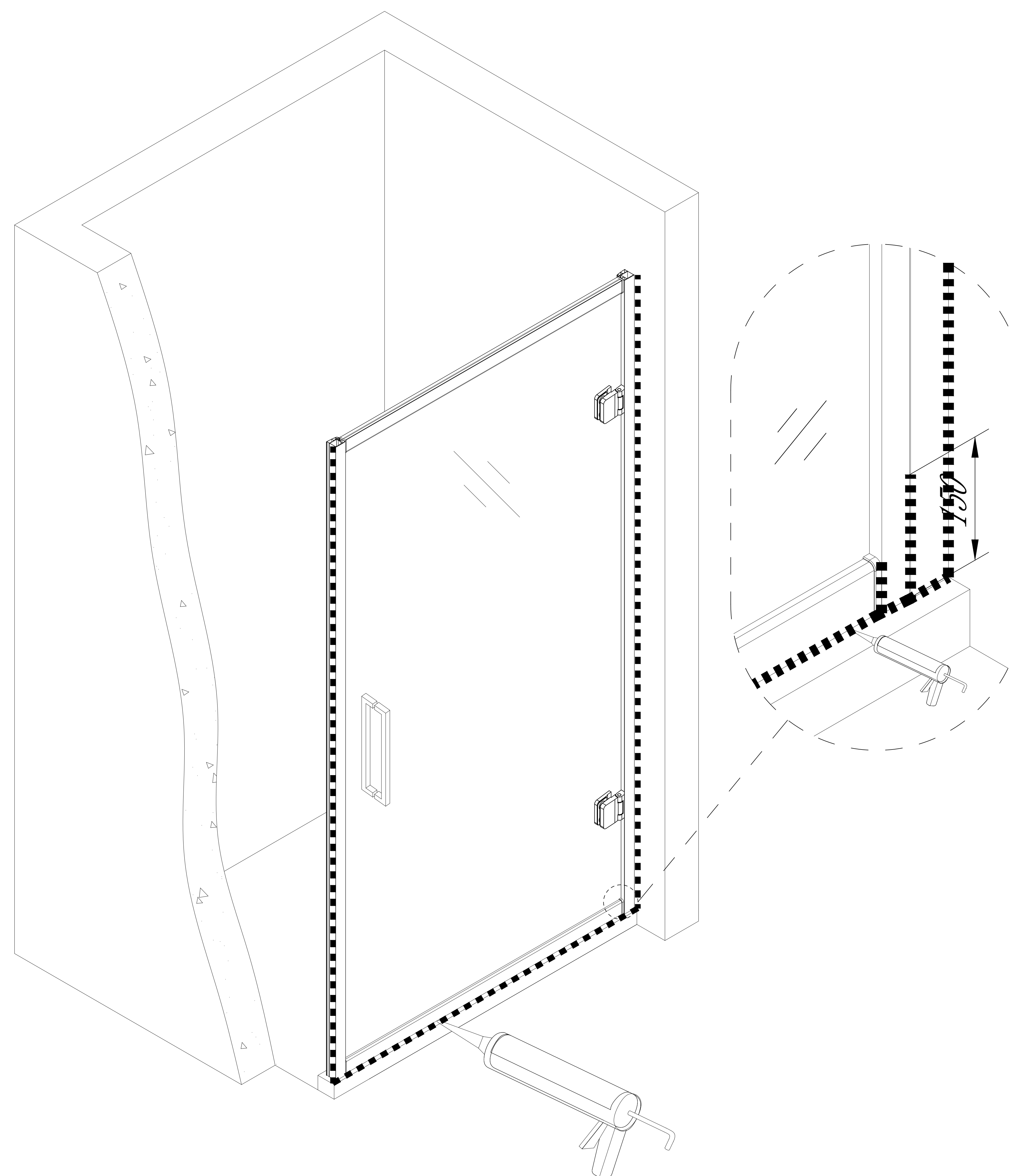
## Care Instructions:

Do not use your shower enclosure within 24 hours of assembly .  
Do not use caustic cleaning products or abrasive material when cleaning your shower enclosure.



## Care Instructions:

Do not use your shower enclosure within 24 hours of assembly .  
Do not use caustic cleaning products or abrasive material when cleaning your shower enclosure.



# Eastbrook

Eastbrook Road, Gloucester GL4 3DB

Technical Helpline: 01452 317890

Email: [technical@eastbrookco.com](mailto:technical@eastbrookco.com)

## Cleaning and Maintenance of Shower Enclosures

Do not clean the shower enclosure with irritant detergents such as alcohol, bleach or other chemical cleaners.

Only clean with mild soapy water or a proprietary cleaner where the label advises it is suitable for the materials the enclosure is constructed from. Test on a small area first.

For treating limescale we would recommend distilled vinegar in a half and half solution with water.

Following installation should you find that there is a notable noise when the glass door moves you may add a small amount of silicon lubricant onto the roller wheels and tracks, hinges or clips.

It is the responsibility of the product owner to maintain the product as recommended above. Also, to check for parts which have broken or become loose to protect against failure of the enclosure.