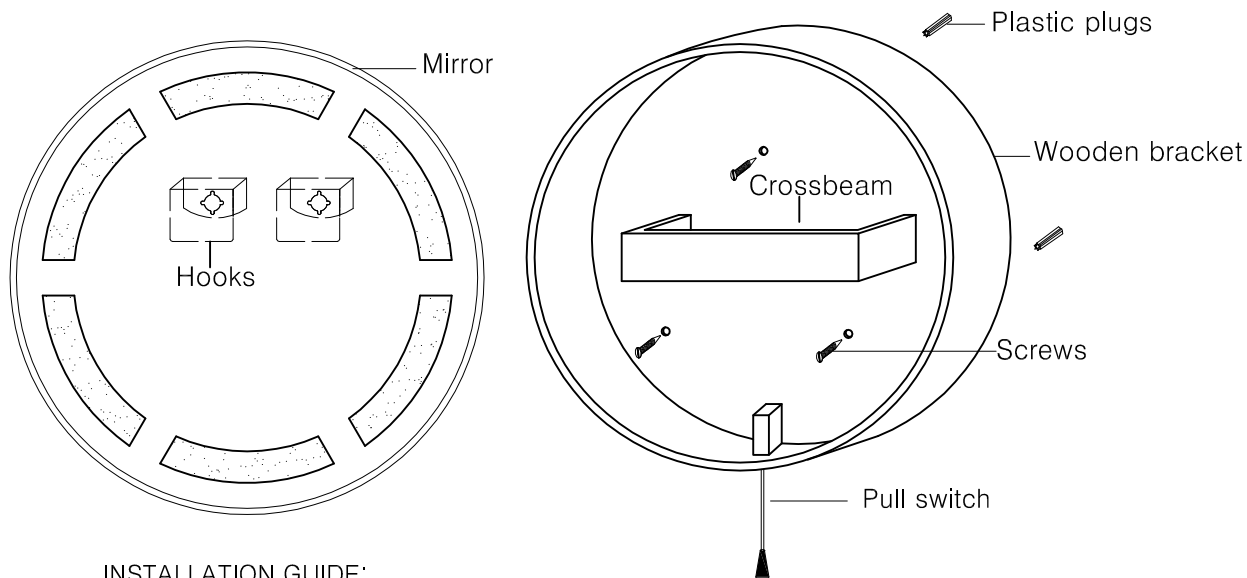


56.1056 INSTALLATION



INSTALLATION GUIDE:

1. Position the mirror at the hanging point and mark the drilling holes: Ensure the two drilling holes are on the same level. Drill the holes, then insert the plastic plugs into the holes: Fix the wooden bracket of the mirror to the wall with the screws and then connect the electric wiring.
2. Place the mirror on the crossbeam of the wooden bracket: Adjust and position the mirror in the middle of the wooden bracket.