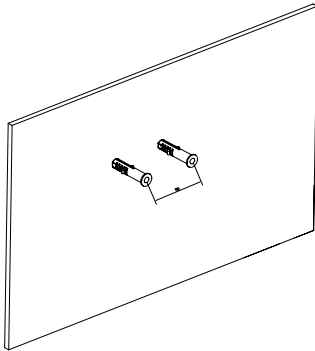


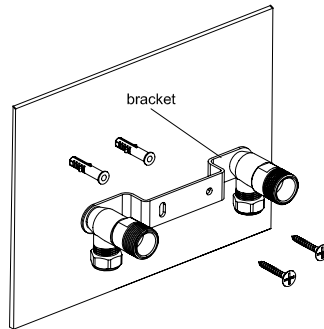
Important -This product is designed for use in a hollow wall

- We recommend that this product is installed by a qualified professional contractor. Such as a plumber who is certified by NVQ (National Vocational Qualification) or SNVQ (Scottish National Vocational Qualification) Level 3.
- Please check this product immediately to ensure that it has not been damaged and is complete. Before installation, please make sure this product is the correct model and you have all the parts required for installation and using.
- Please read these instructions carefully and keep it for future reference.

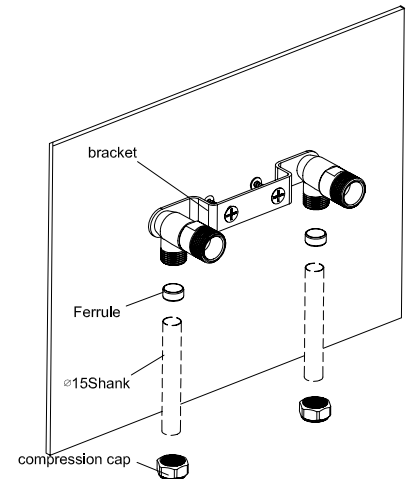
Installation



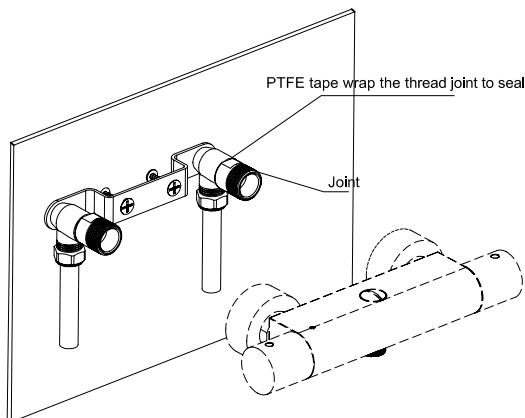
1. Please drill 2 holes with $\varnothing 5$. 50mm distance between 2 holes; Then drill wall plugs into holes



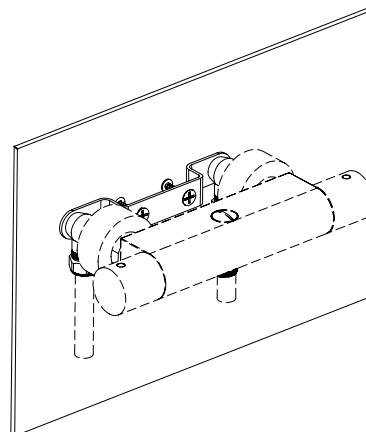
2. Install Self-tapping screws through Wall bracket holes into Wall plugs and Tightly fitting.



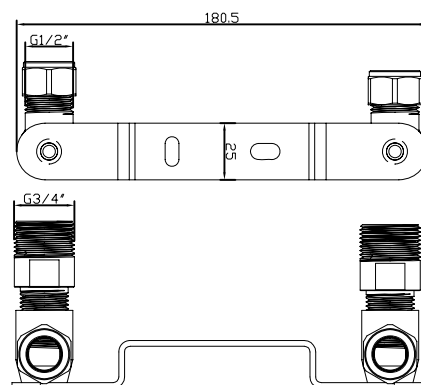
3. Shank into snap, put Compression cap into shank to connect bracket and fit it tightly.



4. Turn off the joint and wrap it with PTFE Tape, Turn tightly; If product centre distance can't be fitted well when install bar valve, please adjust the distance through turning joint then install the bar valves.



Dimension



Maintenance

We do NOT recommend you use any household cleaners to clean the product. Because these cleaners change substance or formula too frequently. The product should be always cleaned only with soapy water and rinsed with clean water and dried with a soft cloth.