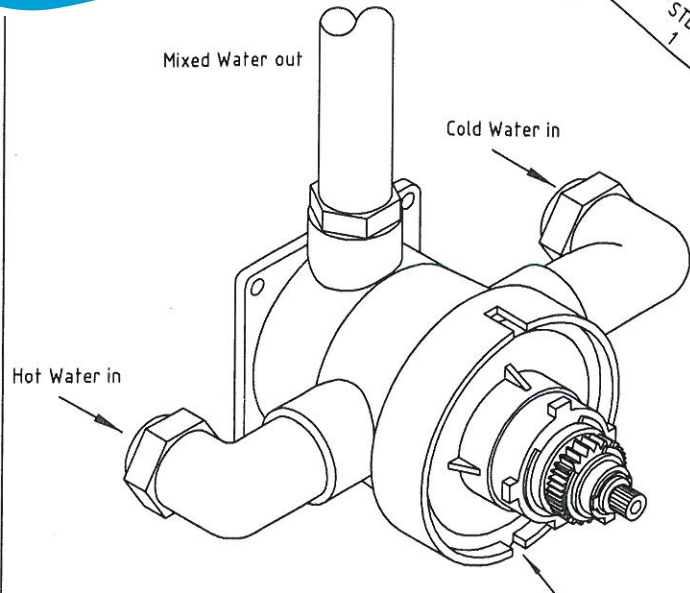
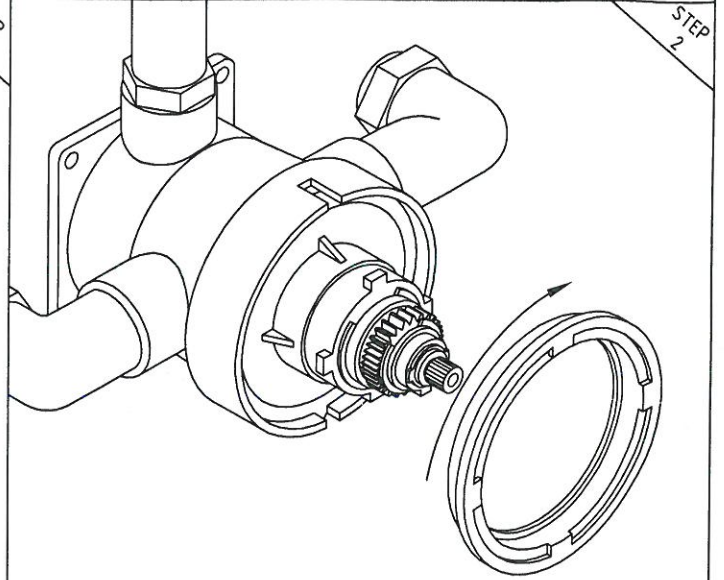


The control handles on this product are factory set and should require no adjustment. However, if for any reason the handles and/or the mixing cartridge is removed it is **important** the following procedure is employed to ensure trouble-free use.

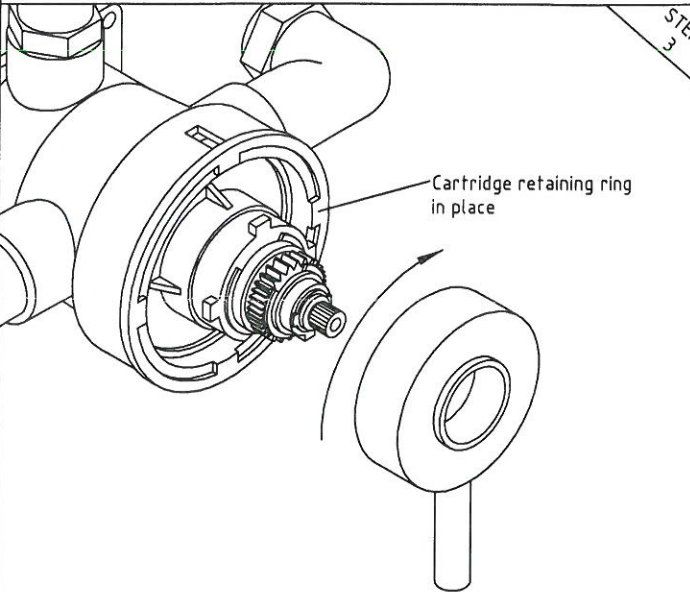


STEP 1

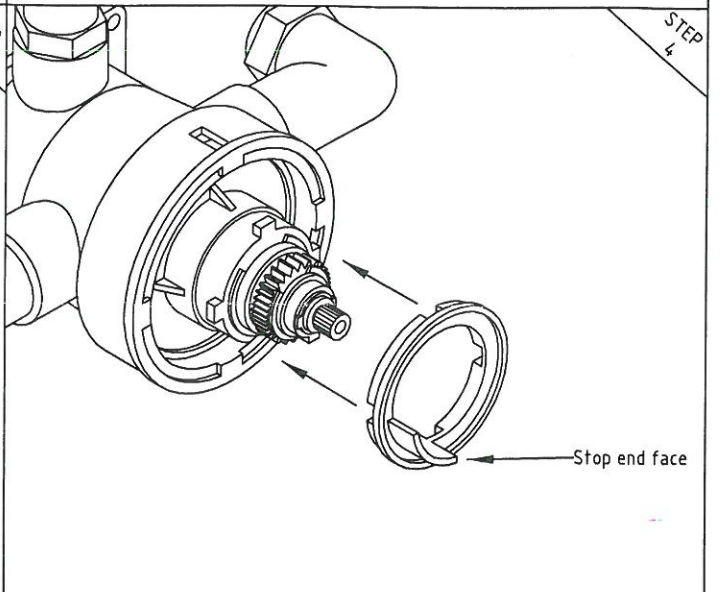
Turn off water supply. Fit cartridge in body ensuring location lug engages with lower slot on body. Push the cartridge firmly into the body as far as it will go.



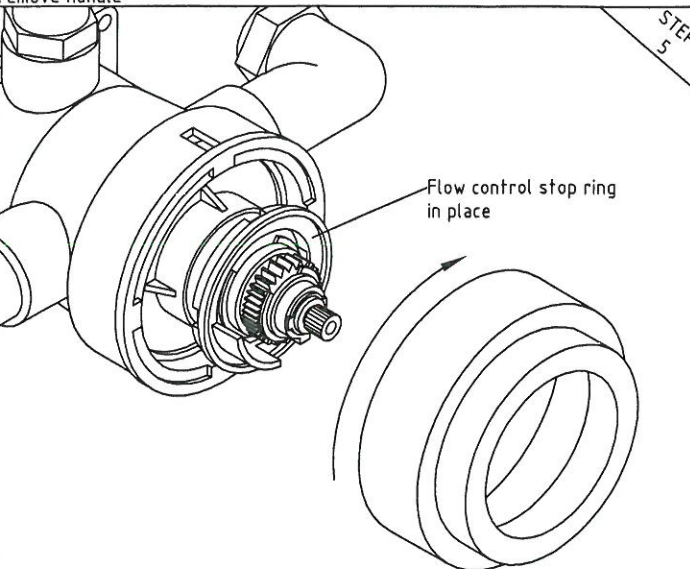
Screw on the cartridge retaining ring, hand tight only. A light tap with a punch on one of the ring projections will ensure the ring remains tight.



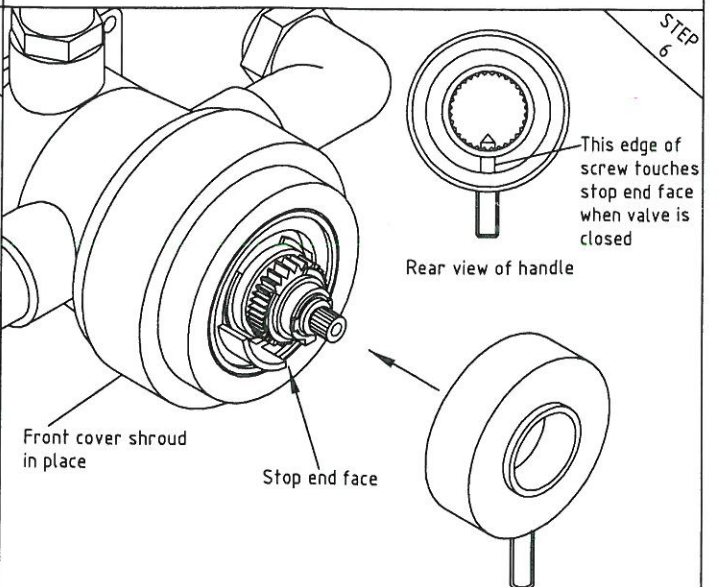
Turn on water supply. Place flow control handle over large spline and slowly turn clockwise until water flow stops. Tighten handle a further 1/8 of a turn, then remove handle.



Fit the flow control stop ring over the four lugs on the front of the cartridge, with the stop end face in the desired position (normally at bottom vertical).



Screw the front cover shroud onto the cartridge retaining ring, as far as it will go, ensuring the flow control stop ring is firmly held in position.



Without rotating the previously set flow control (Step 3), position the flow control handle over the large spline so that the edge of the screw is adjacent to the stop end face. Tighten the screw on to the spline and fit decorative lever.