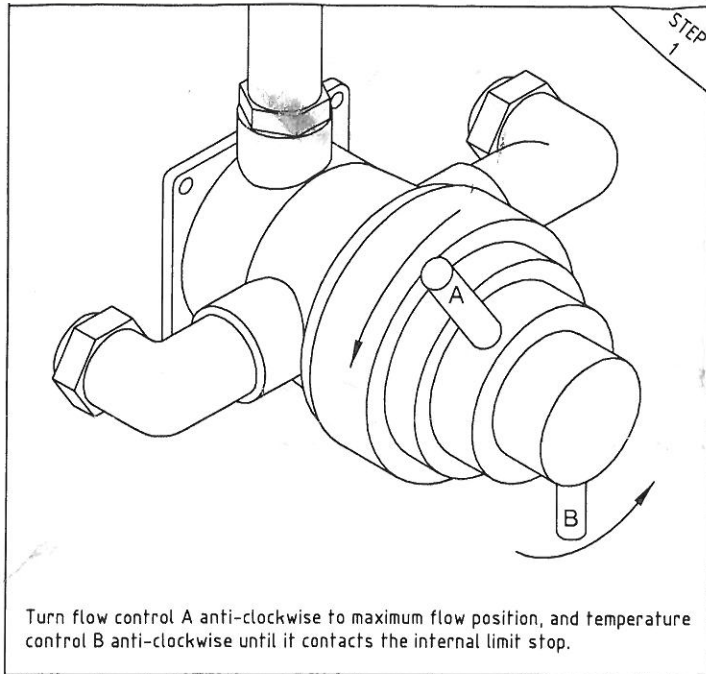
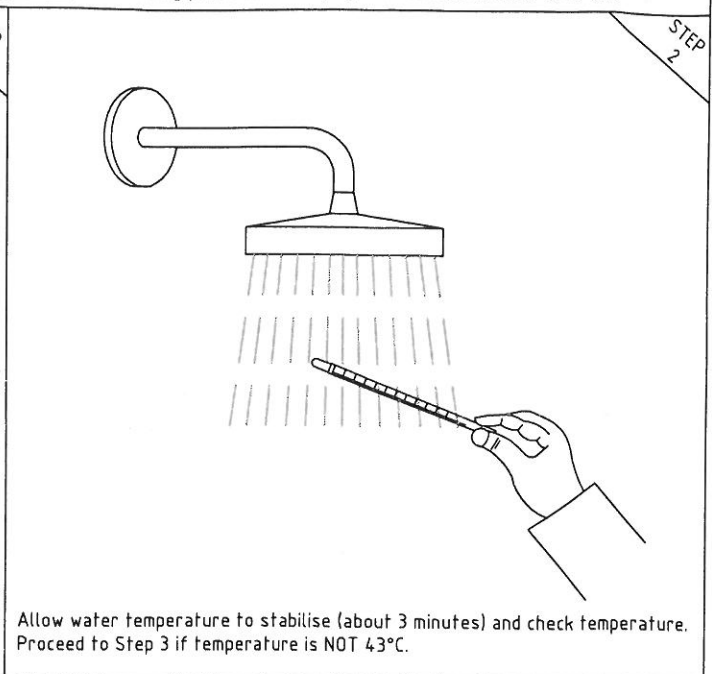


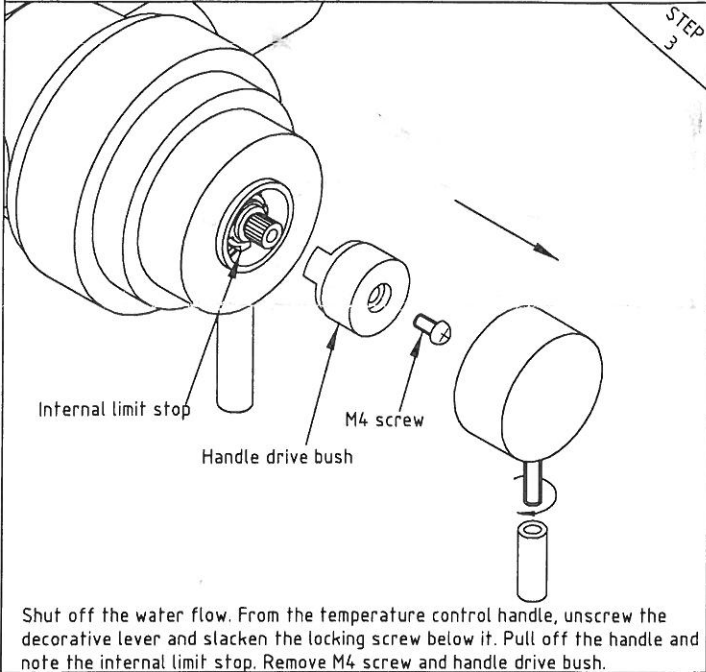
The control handles on this product are factory set and should require no adjustment. However, if for any reason the handles and/or the mixing cartridge is removed it is important the following procedure is employed to ensure trouble-free use.



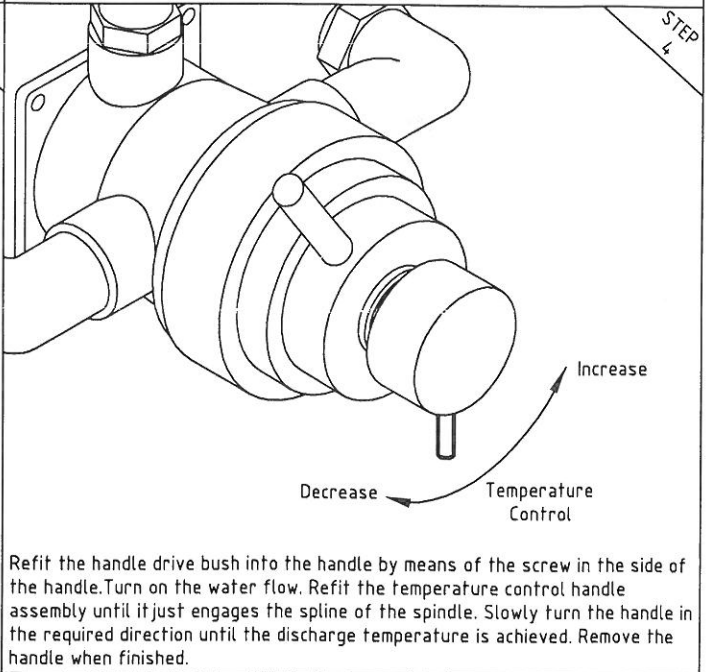
Turn flow control A anti-clockwise to maximum flow position, and temperature control B anti-clockwise until it contacts the internal limit stop.



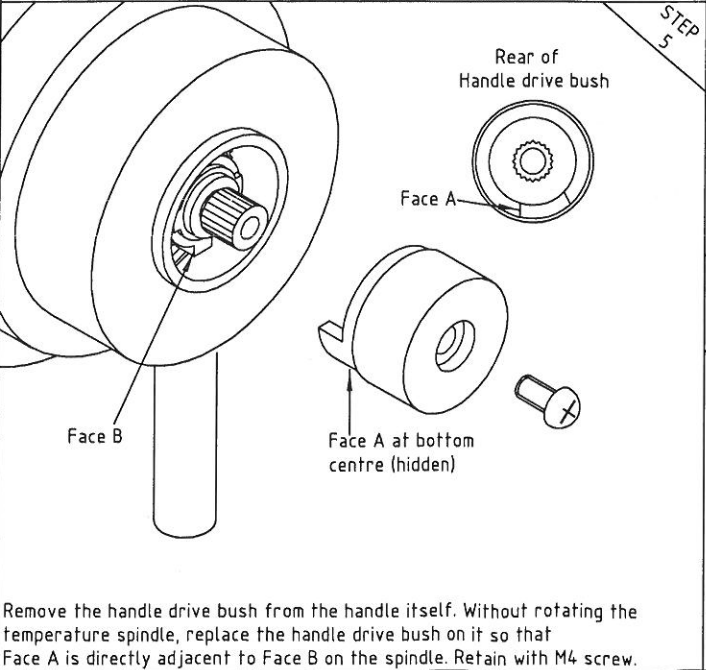
Allow water temperature to stabilise (about 3 minutes) and check temperature. Proceed to Step 3 if temperature is NOT 43°C.



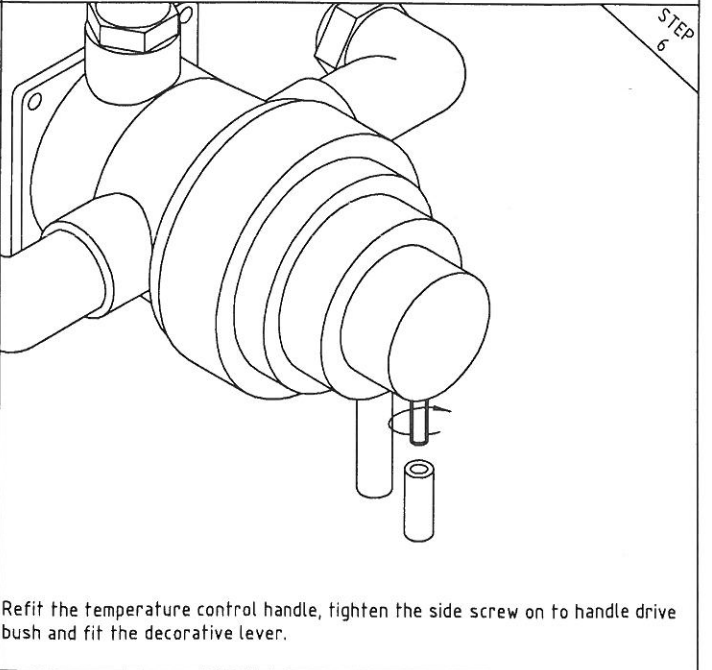
Shut off the water flow. From the temperature control handle, unscrew the decorative lever and slacken the locking screw below it. Pull off the handle and note the internal limit stop. Remove M4 screw and handle drive bush.



Refit the handle drive bush into the handle by means of the screw in the side of the handle. Turn on the water flow. Refit the temperature control handle assembly until it just engages the spline of the spindle. Slowly turn the handle in the required direction until the discharge temperature is achieved. Remove the handle when finished.



Remove the handle drive bush from the handle itself. Without rotating the temperature spindle, replace the handle drive bush on it so that Face A is directly adjacent to Face B on the spindle. Retain with M4 screw.



Refit the temperature control handle, tighten the side screw on to handle drive bush and fit the decorative lever.