

DATASHEET

Image



General Information

Product:	41.0729
Description:	Pair of Traditional Rad Valves + Tails
Website Link:	(Click Here)
Product Type:	Radiator Valve
Brand:	Eastbrook Company
Colour:	Gloss White
Material:	Brass
Net Weight (kg):	0.91kg
Product Range:	Radiator Valves

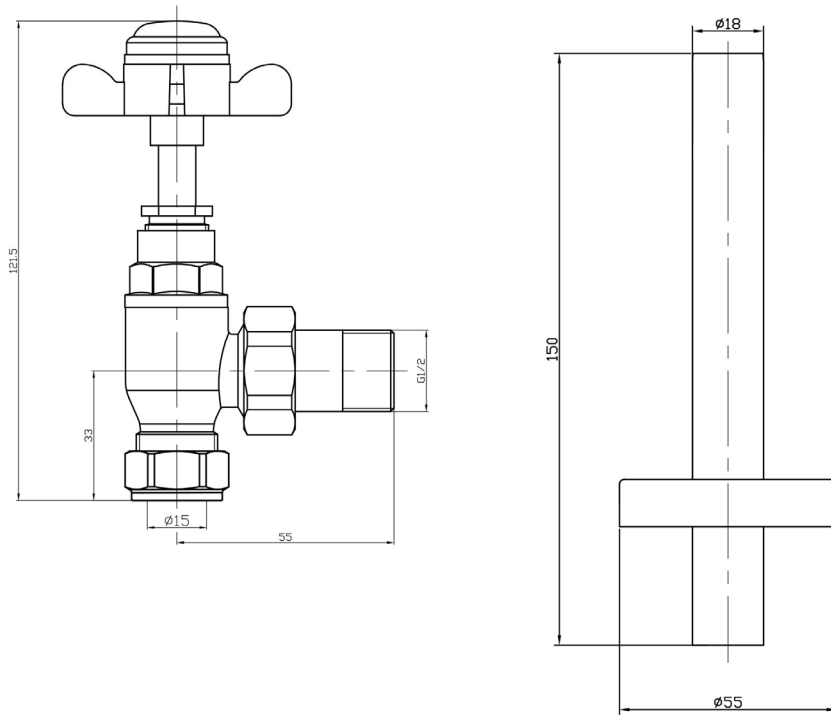
Product Specifications

Warranty:	2 Year(s)
Valve Types:	Angled

Drawing

Angled Traditional Radiator Valves with Sleeve Kit (pair) Technical Drawing

41.3009
41.0729
41.0730
41.0731
41.0710



Eastbrook 
Eastbrook Road, Gloucester GL4 3DB
Technical Helpline : 01452 317890
Mon - Fri / 8am - 5pm
Email : technical@eastbrookco.com