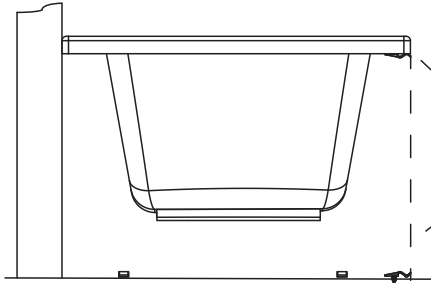


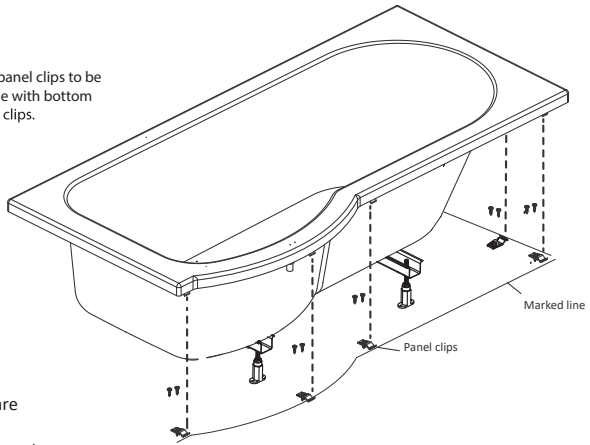
## Panel Installation Instructions

### Shannon Universal P-Shaped 1700/1500 Panel

1. Please note bath shown without bath supports for illustration purposes.

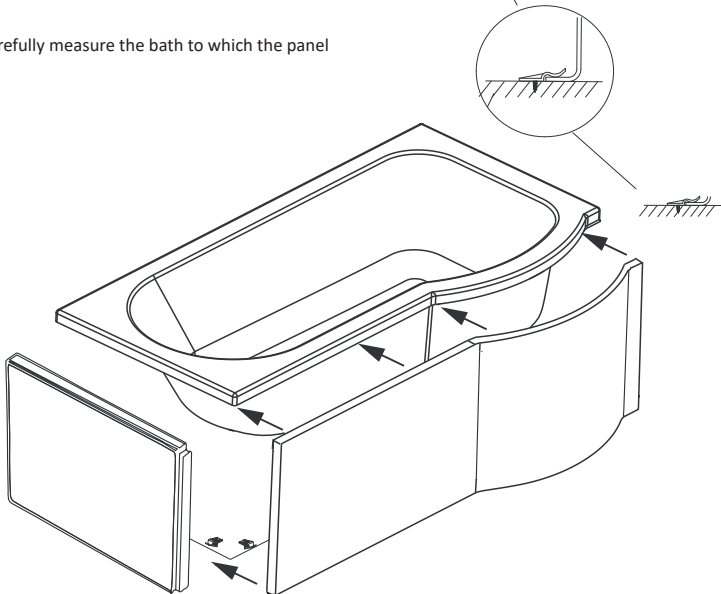


Top panel clips to be in line with bottom floor clips.

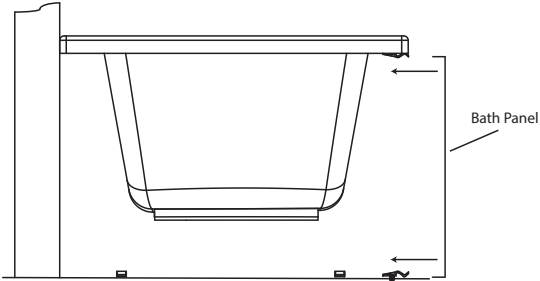


Using a cross headed screwdriver secure the bath panel clips to floor and the underside of the bath using the screws provided. Ensure that the panel clips are equally spaced and are in line with each other top to bottom and that the clips are marginally proud of the bath rim. [Please note If the bath does not have a timber frame such as on enamel baths) timber can be bonded to the underside using a suitable bonding agent]

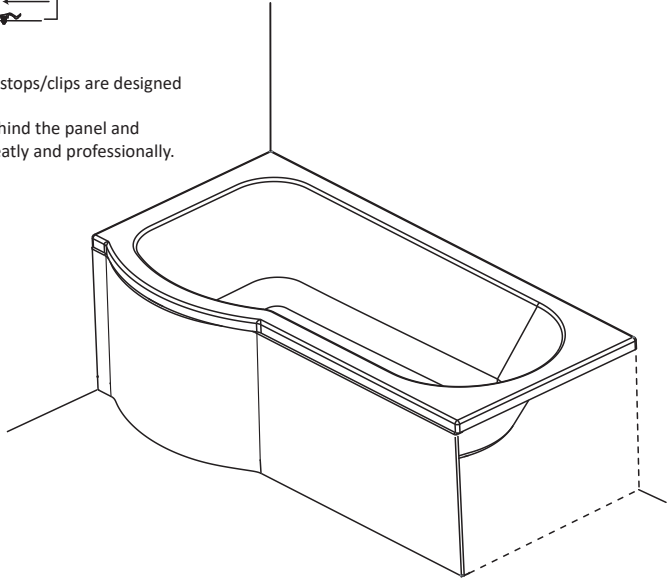
2. Using a tape measure carefully measure the bath to which the panel is to be fitted.



- 
3. Carefully fit the bath panel to the bath by gently pushing the bath panel into place.  
Ensure that the bath panel is firmly held in place with the bath panel clips.



Please note to allow for future access the panel stops/clips are designed to hold the panel not lock it into position.  
Additional timbers may be fitted to the walls behind the panel and Velcro strips used to further secure the panel neatly and professionally.



-----  
If required silicon down the walls to create a seal

**Panel Fixings:**

Components shown below are **supplied with the front panel** (quantities dependant on panel type).

