

## DATASHEET

### Image



### General Information

Product:	12.061
Description:	15mm Corner TRV & lockshield valve
Website Link:	<a href="#">(Click Here)</a>
Product Type:	Radiator Valve
Brand:	Eastbrook Company
Colour:	Brushed Nickel
Net Weight (kg):	0.632kg
Product Range:	Radiator Valves

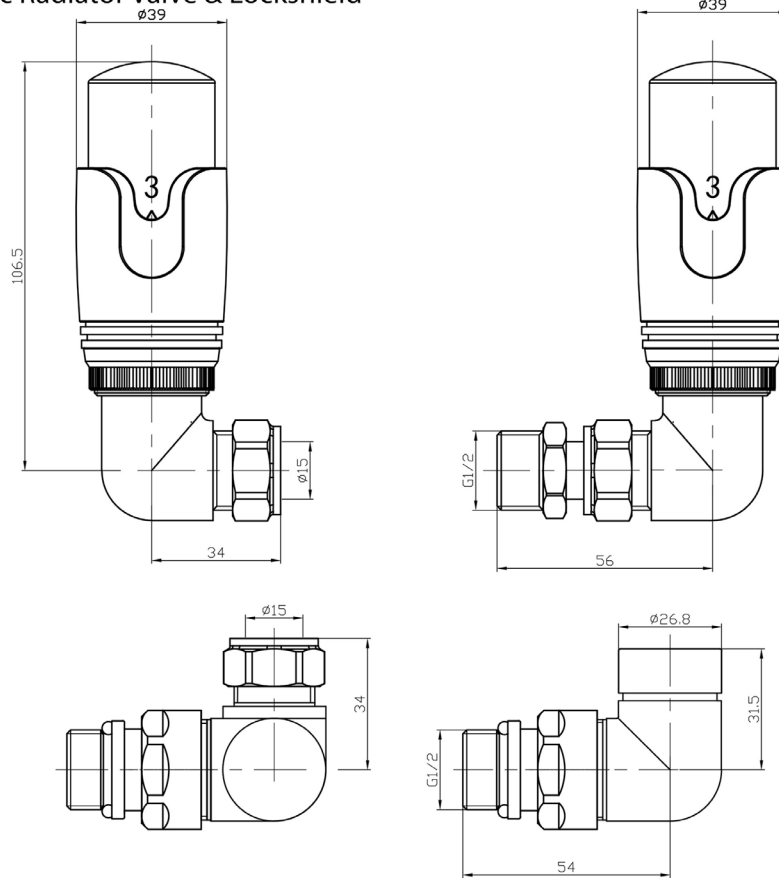
### Product Specifications

Warranty:	2 Year(s)
Valve Types:	Corner

## Drawing

### Eastbrook

Corner Thermostatic Radiator Valve & Lockshield  
Technical Drawing



- 12.049
- 12.045
- 12.061
- 41.3037
- 12.053
- 12.054
- 12.055
- 12.056
- 12.057
- 12.077
- 12.080
- 12.086

**Eastbrook**   
Eastbrook Road, Gloucester GL4 3DB  
Technical Helpline : 01452 317890  
Mon - Fri / 8am - 5pm  
Email : [technical@eastbrookco.com](mailto:technical@eastbrookco.com)