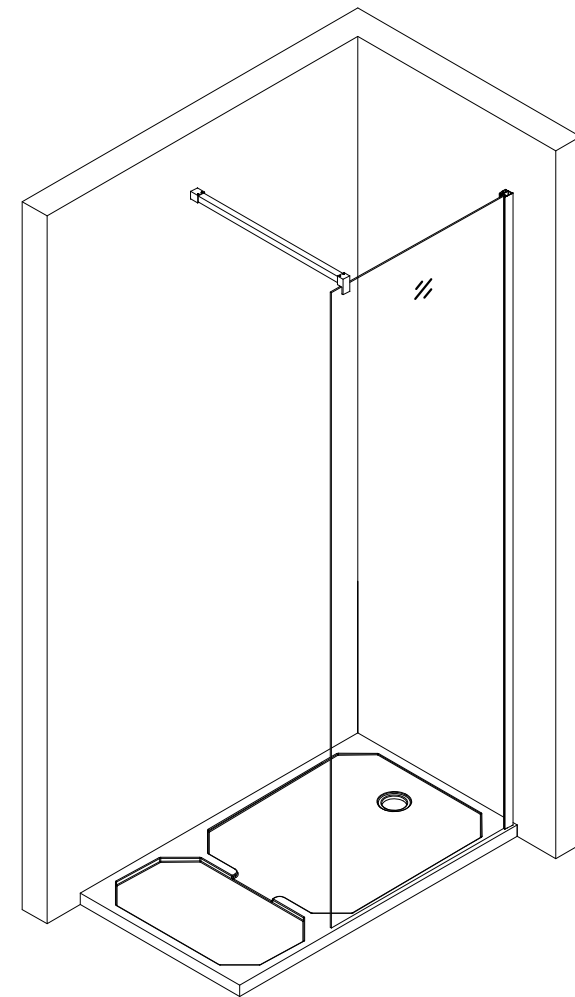
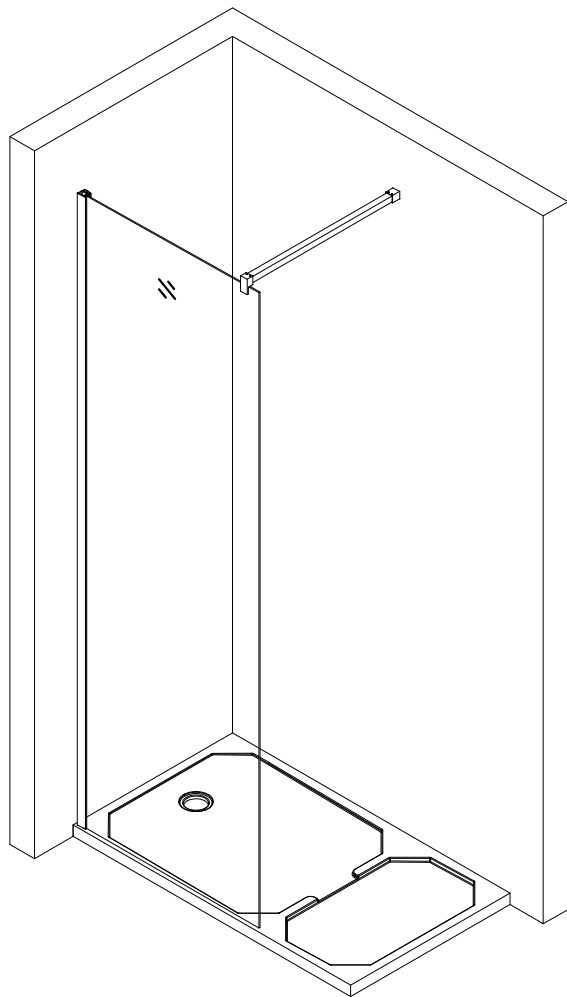
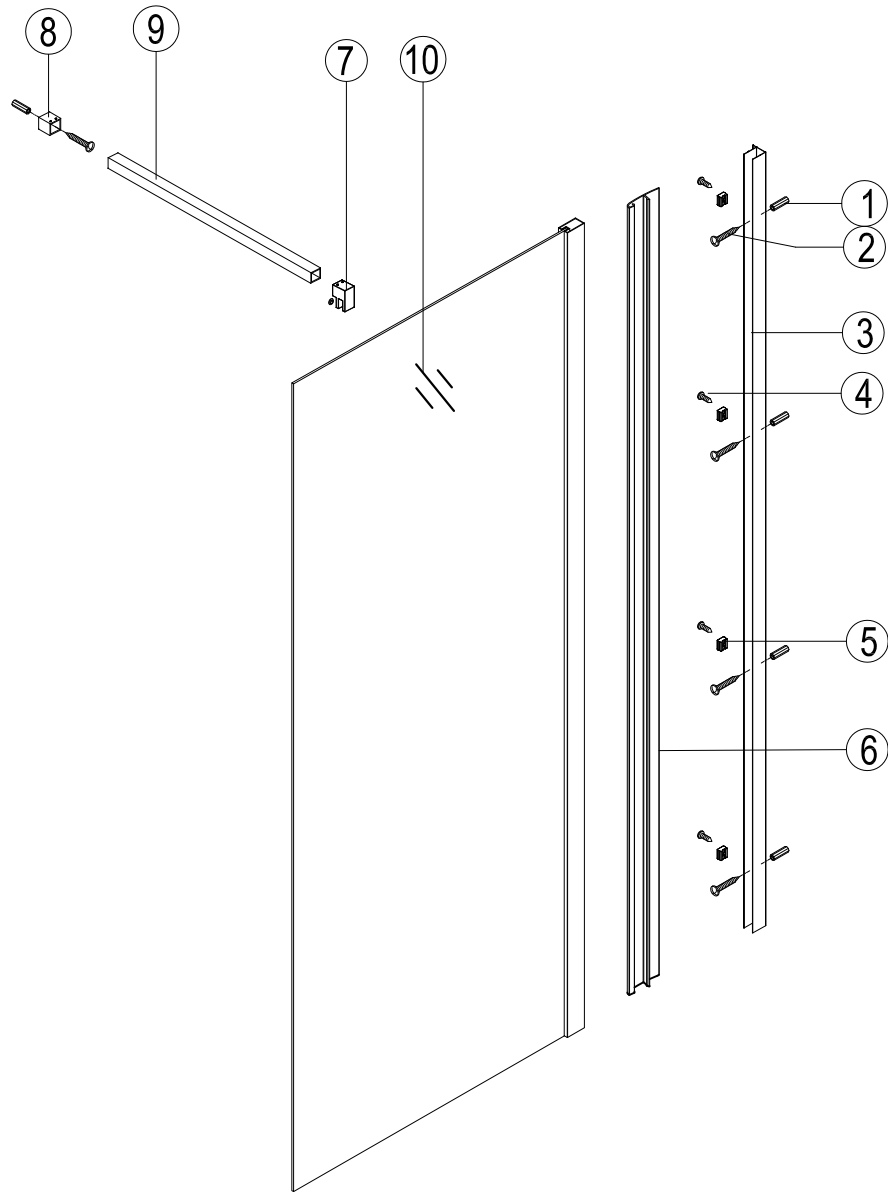
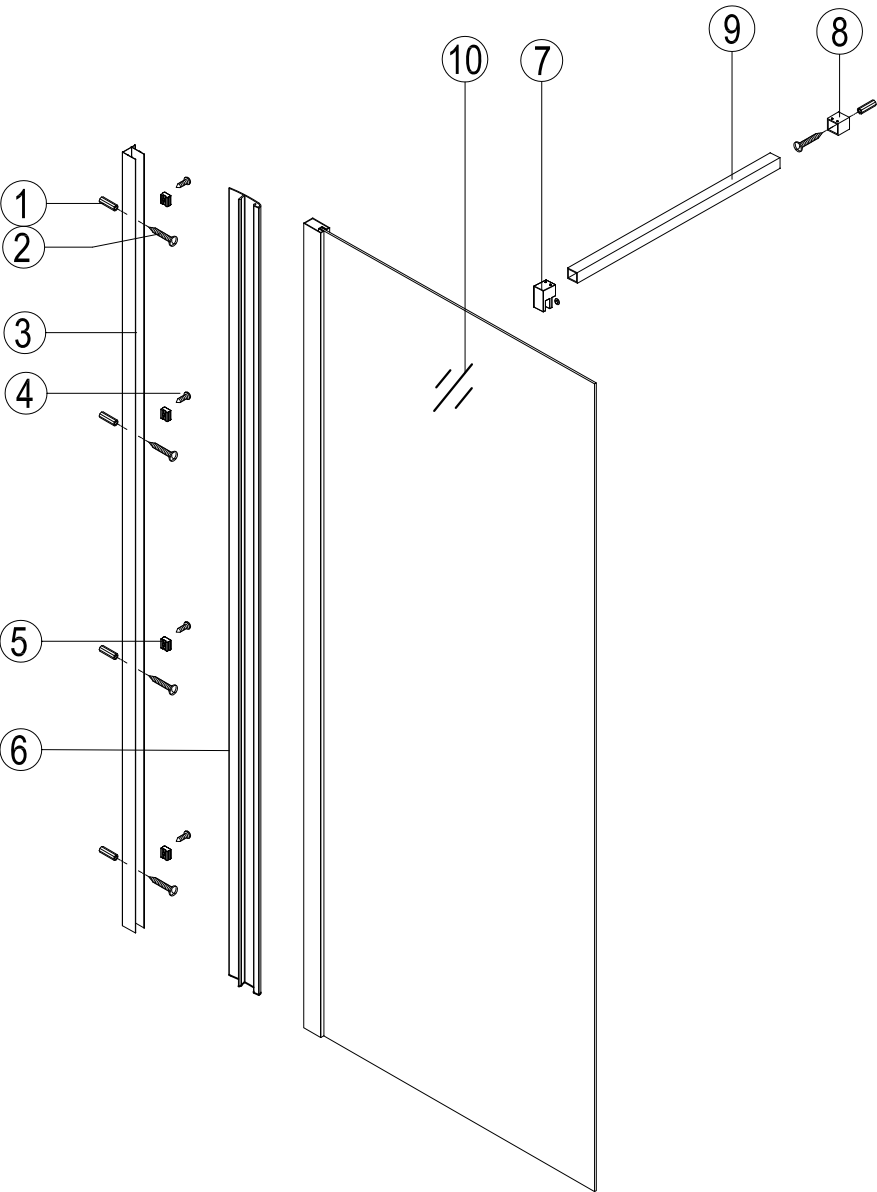
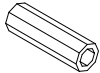



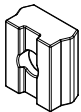
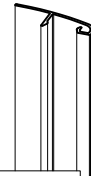
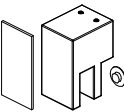
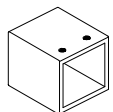
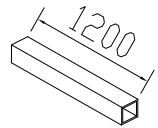
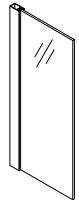
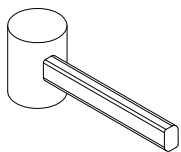
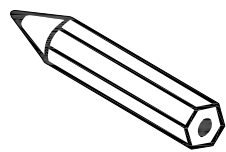
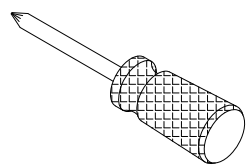
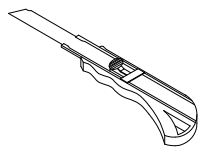
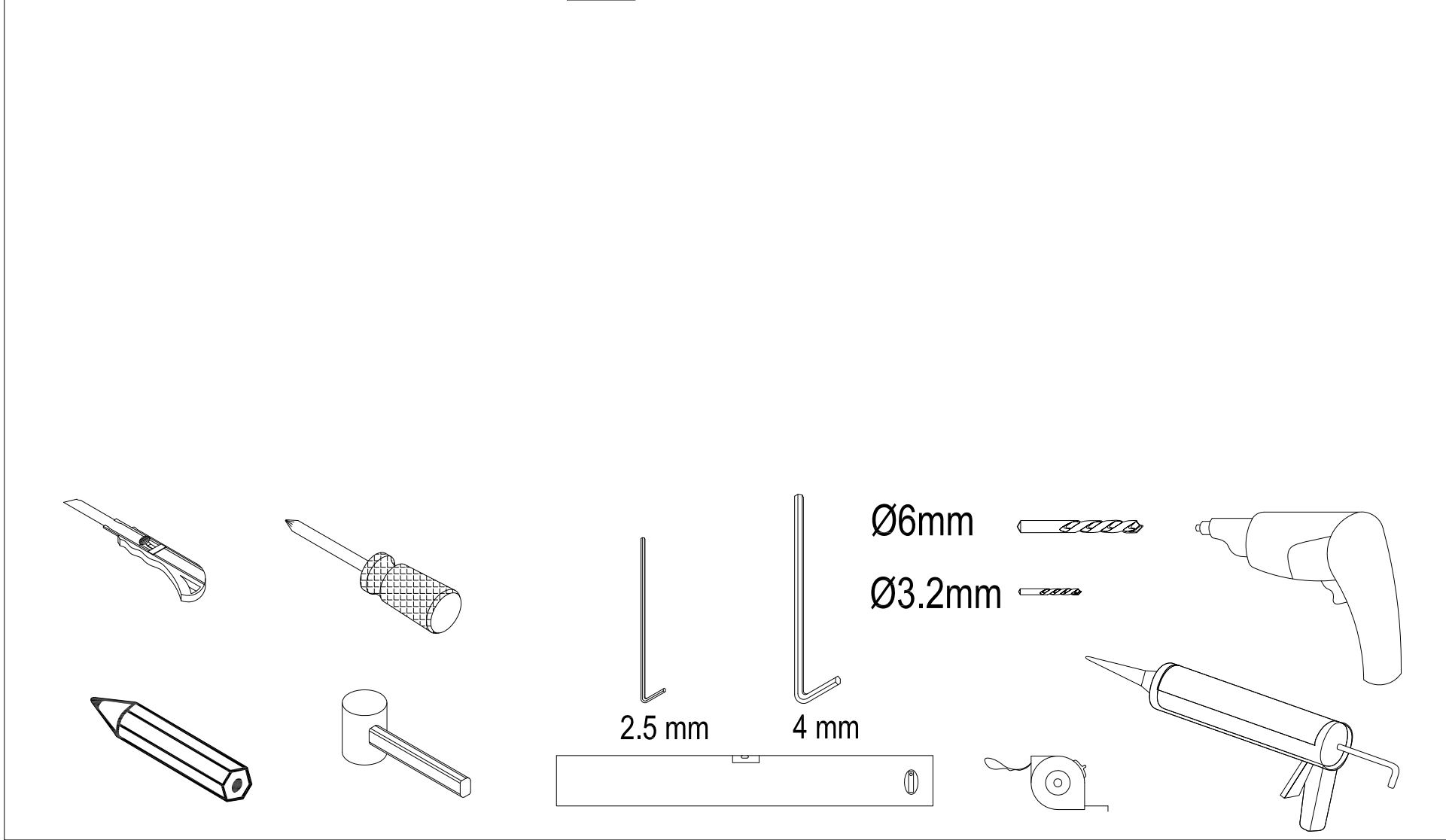


# Manua I (8MM)

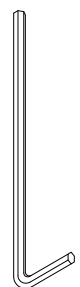




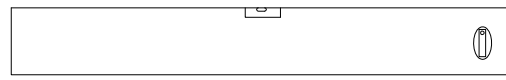
Walkin panel	1	2	3	4	5	6	7	8	9	10
										
	D6x30 5Pcs	ST4x30 5Pcs	CRSF-W01 1Pc	ST4x12 4Pcs	CRF-6Y01 4Pcs	CRSF-W02 1Pcs	CRSF-X02-8 1Pc	CRSF-X01 1Pc	CRSF-W03 1Pc	1Pc



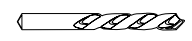
2.5 mm



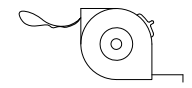
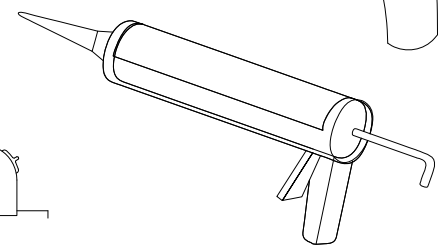
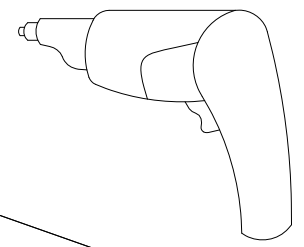
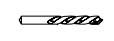
4 mm



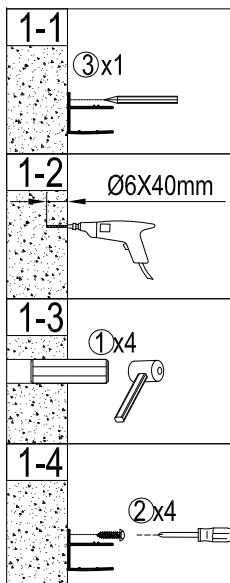
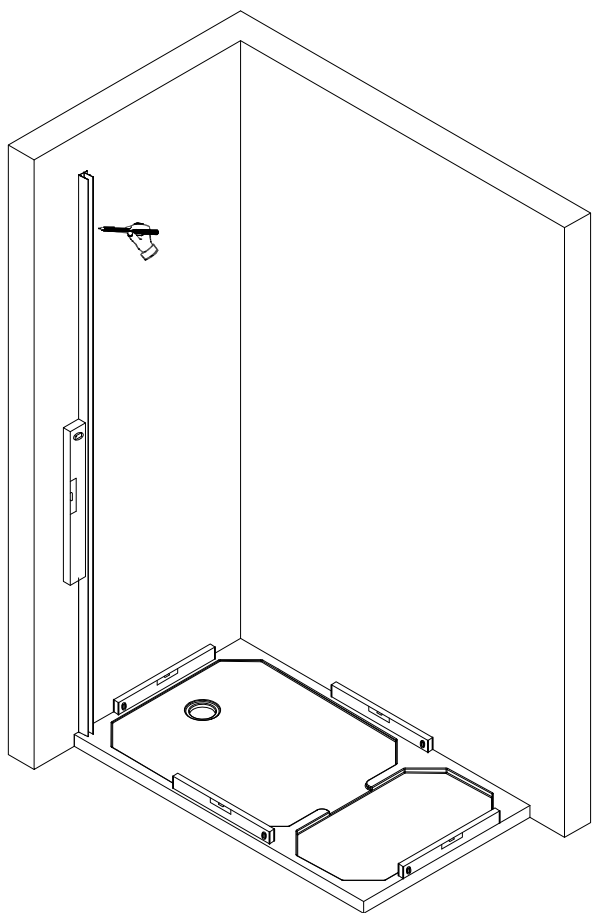
Ø6mm



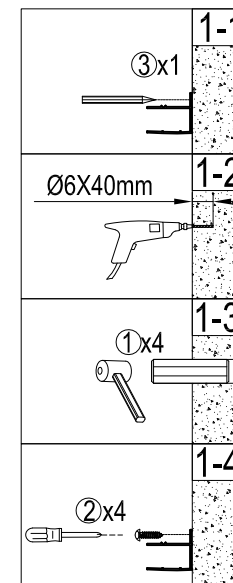
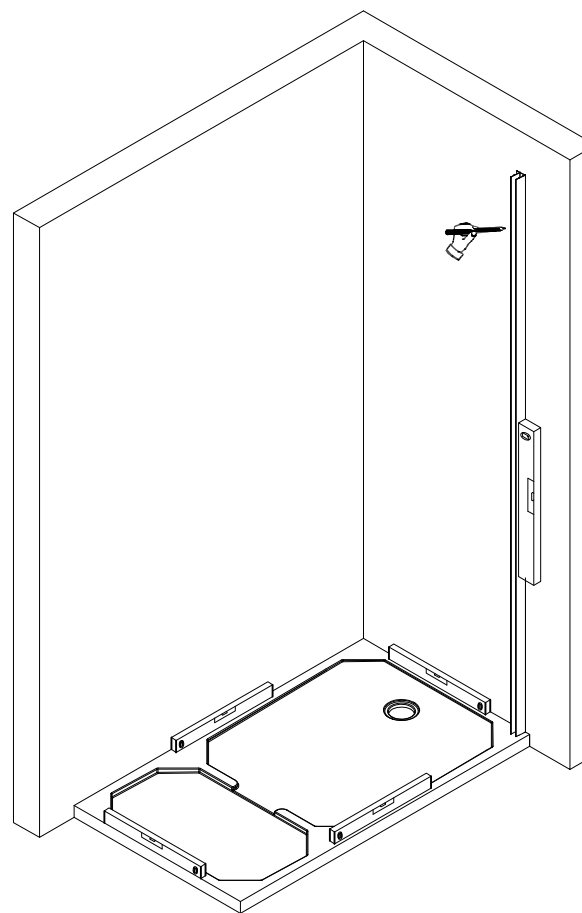
Ø3.2mm



1L



1R

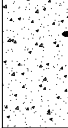


2L

2-1

Inside

← ④x1

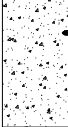


Outside

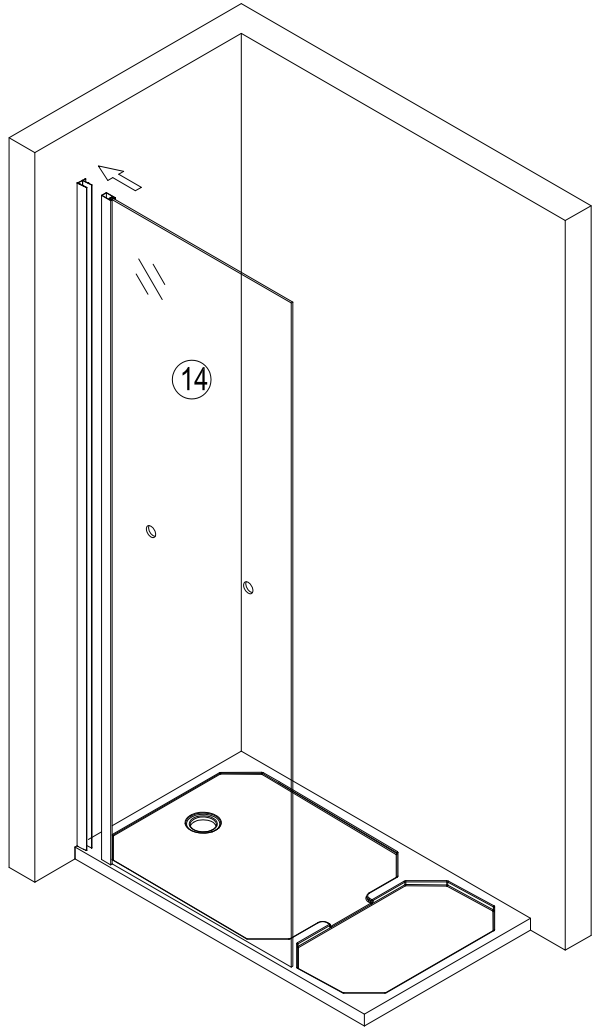
2-2

Inside

← ④x1



Outside

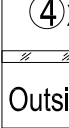


2R

2-1

Inside

④x1 →

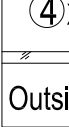


Outside

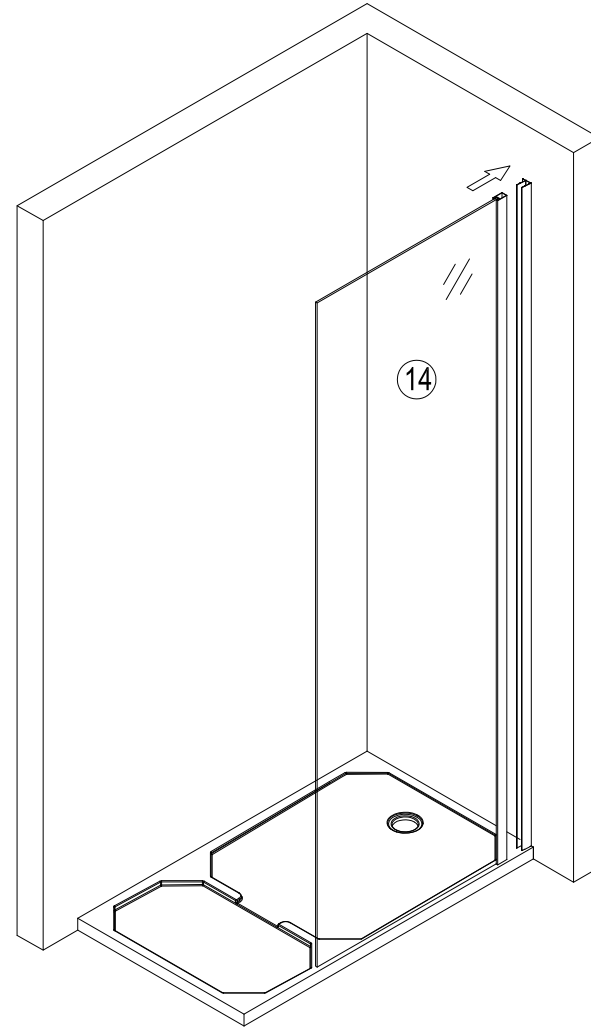
2-2

Inside

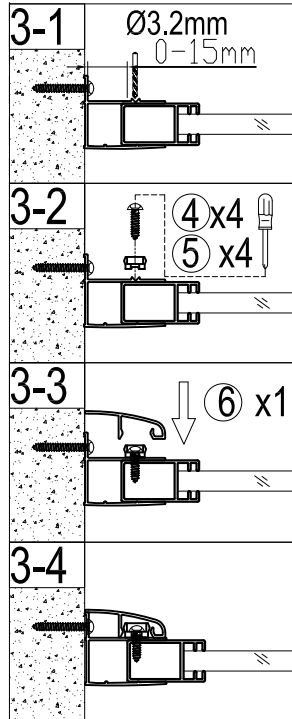
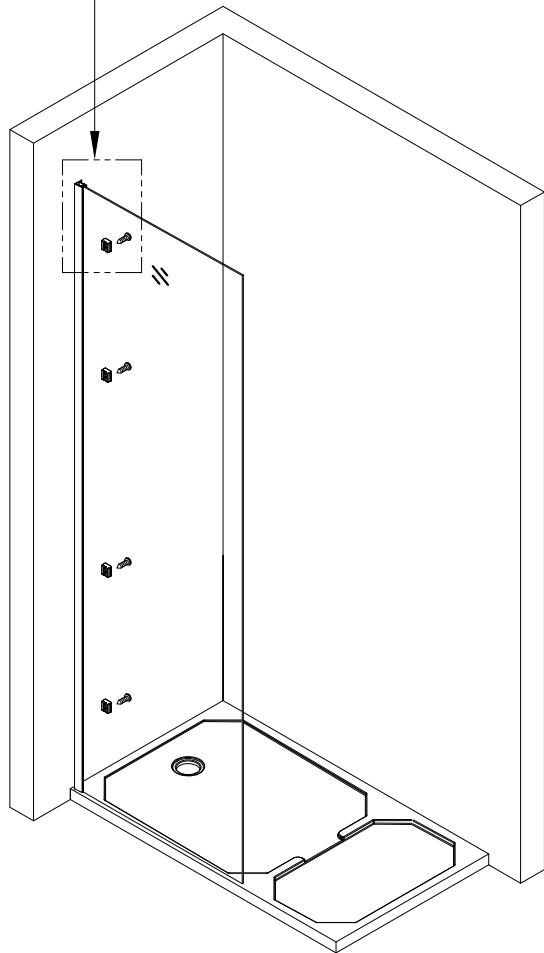
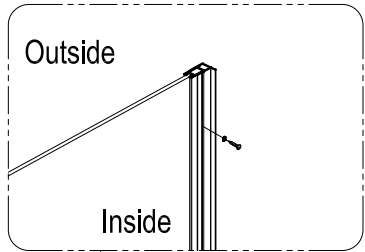
④x1 →



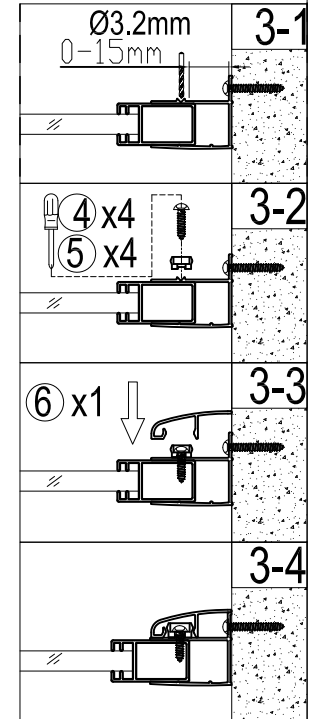
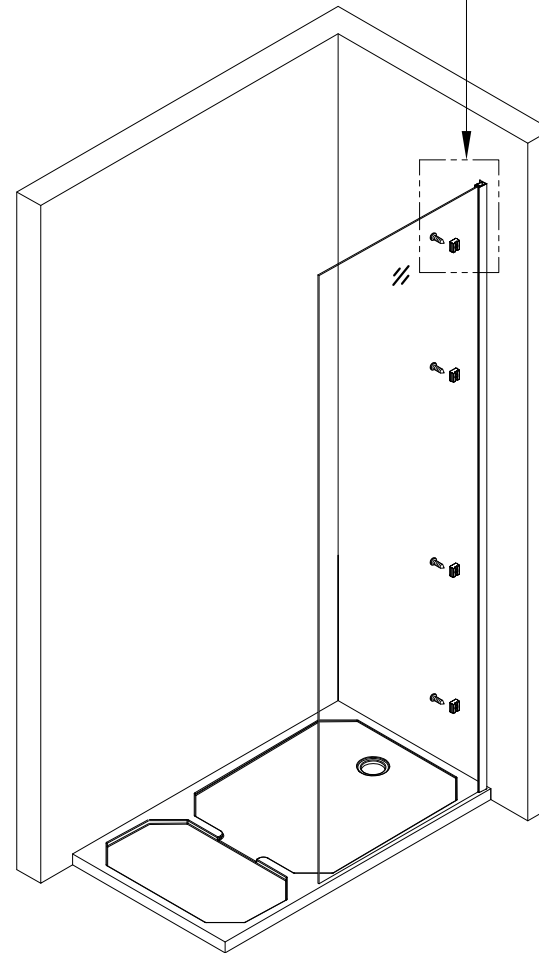
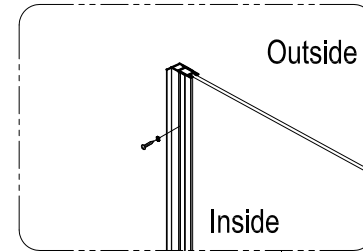
Outside



3L

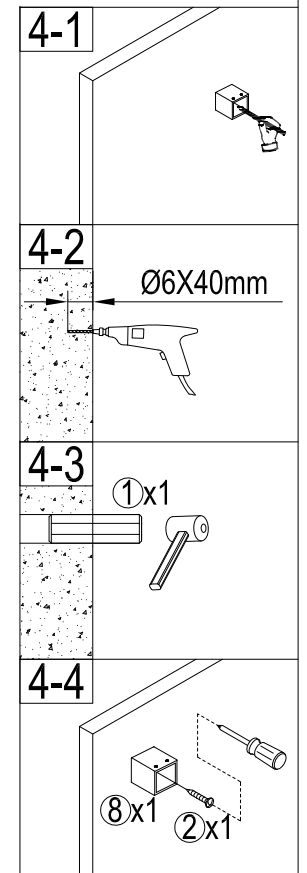
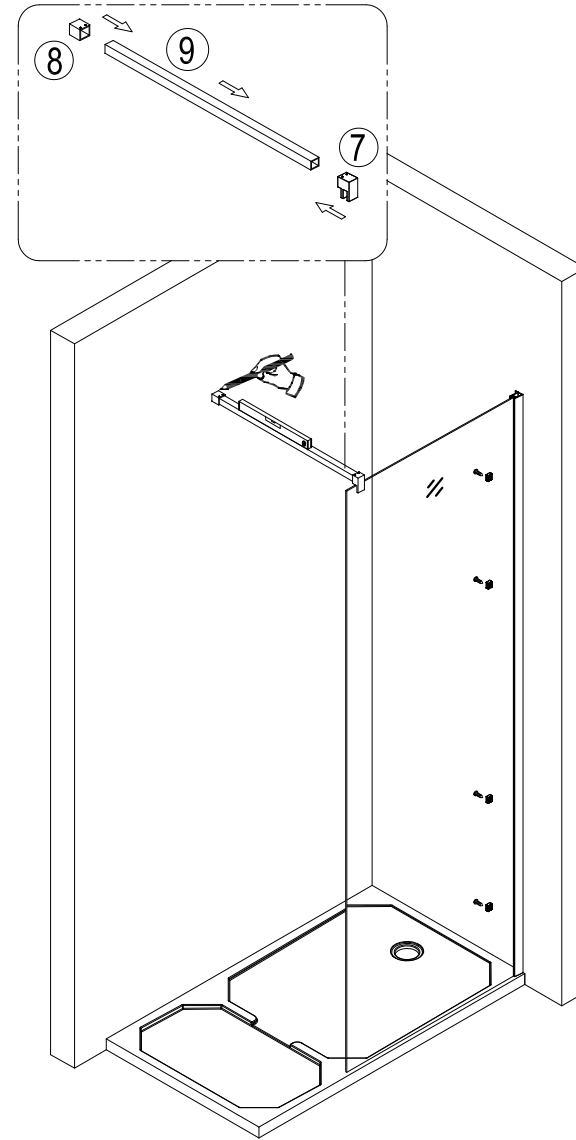
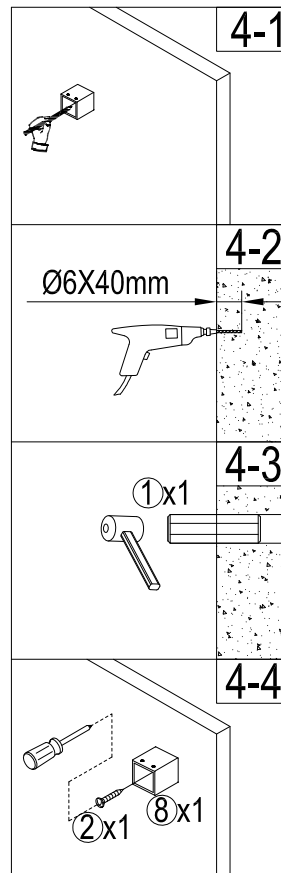
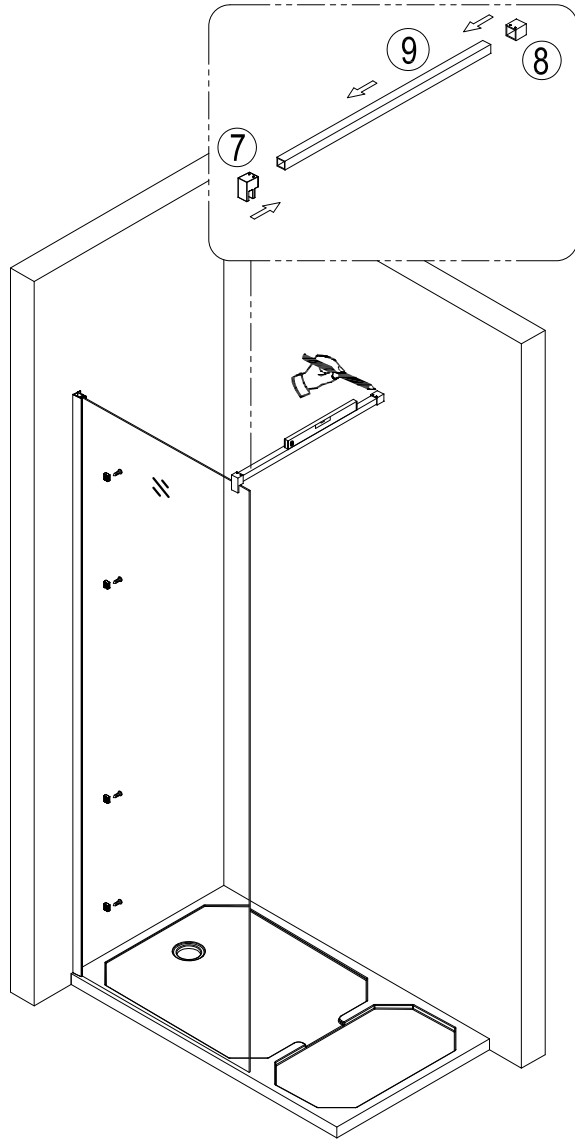


3R



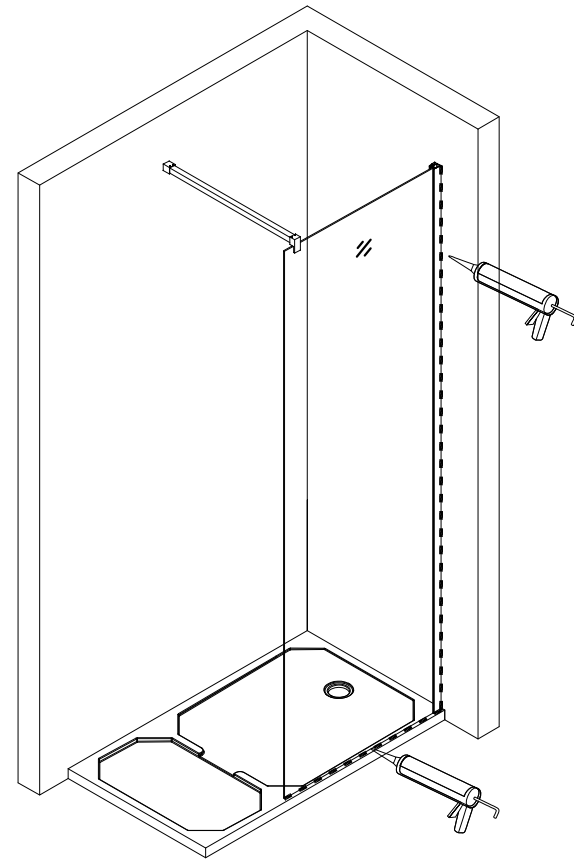
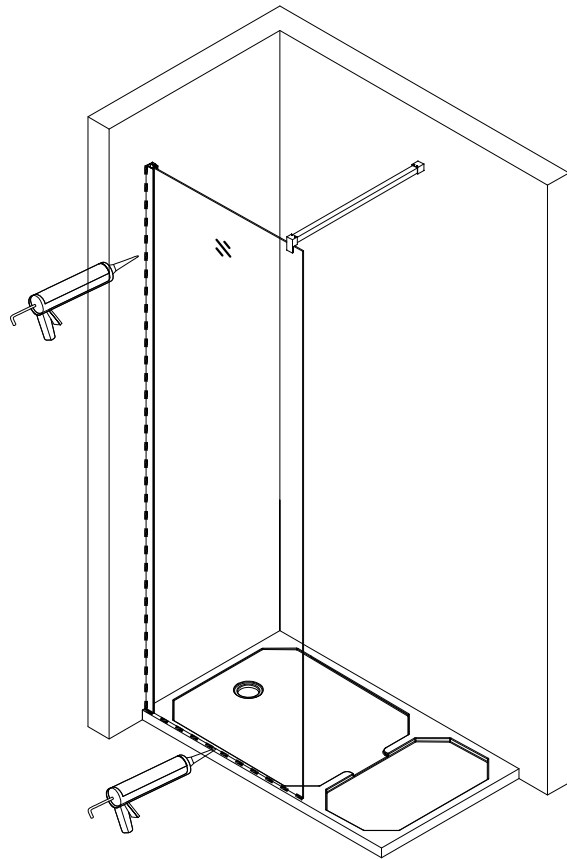
4L

4R



Care Instructions:

Do not use your shower enclosure within 24 hours of assembly . Do not use caustic cleaning products or abrasive material when cleaning your shower enclosure.





# Eastbrook

Eastbrook Road, Gloucester GL4 3DB

Technical Helpline: 01452 317890

Email: [technical@eastbrookco.com](mailto:technical@eastbrookco.com)

## Cleaning and Maintenance of Shower Enclosures

Do not clean the shower enclosure with irritant detergents such as alcohol, bleach or other chemical cleaners.

Only clean with mild soapy water or a proprietary cleaner where the label advises it is suitable for the materials the enclosure is constructed from. Test on a small area first.

For treating limescale we would recommend distilled vinegar in a half and half solution with water.

Following installation should you find that there is a notable noise when the glass door moves you may add a small amount of silicon lubricant onto the roller wheels and tracks, hinges or clips.

It is the responsibility of the product owner to maintain the product as recommended above. Also, to check for parts which have broken or become loose to protect against failure of the enclosure.