

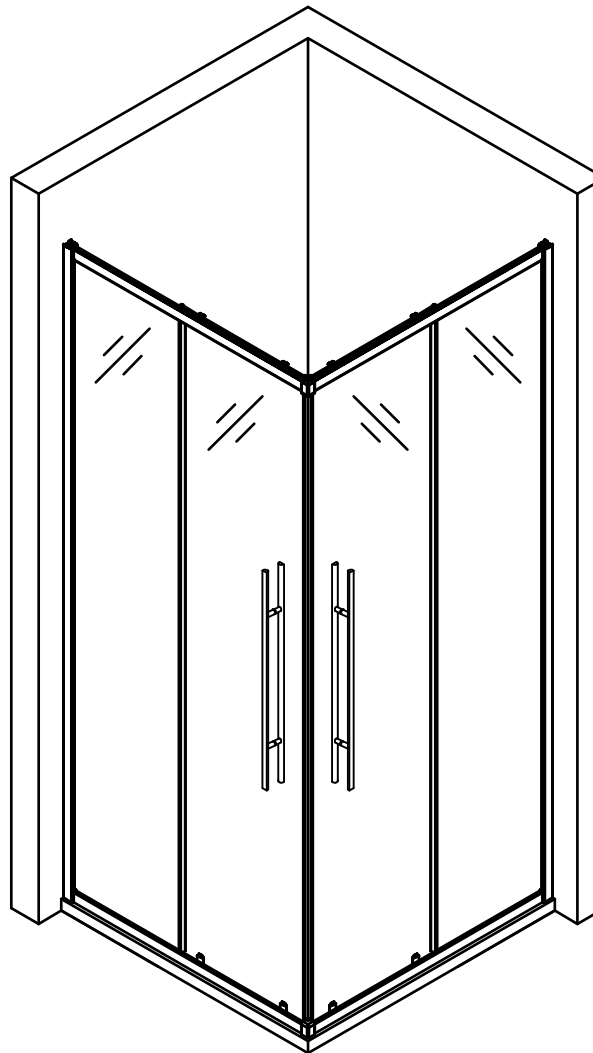
INSTALLATION MANUAL

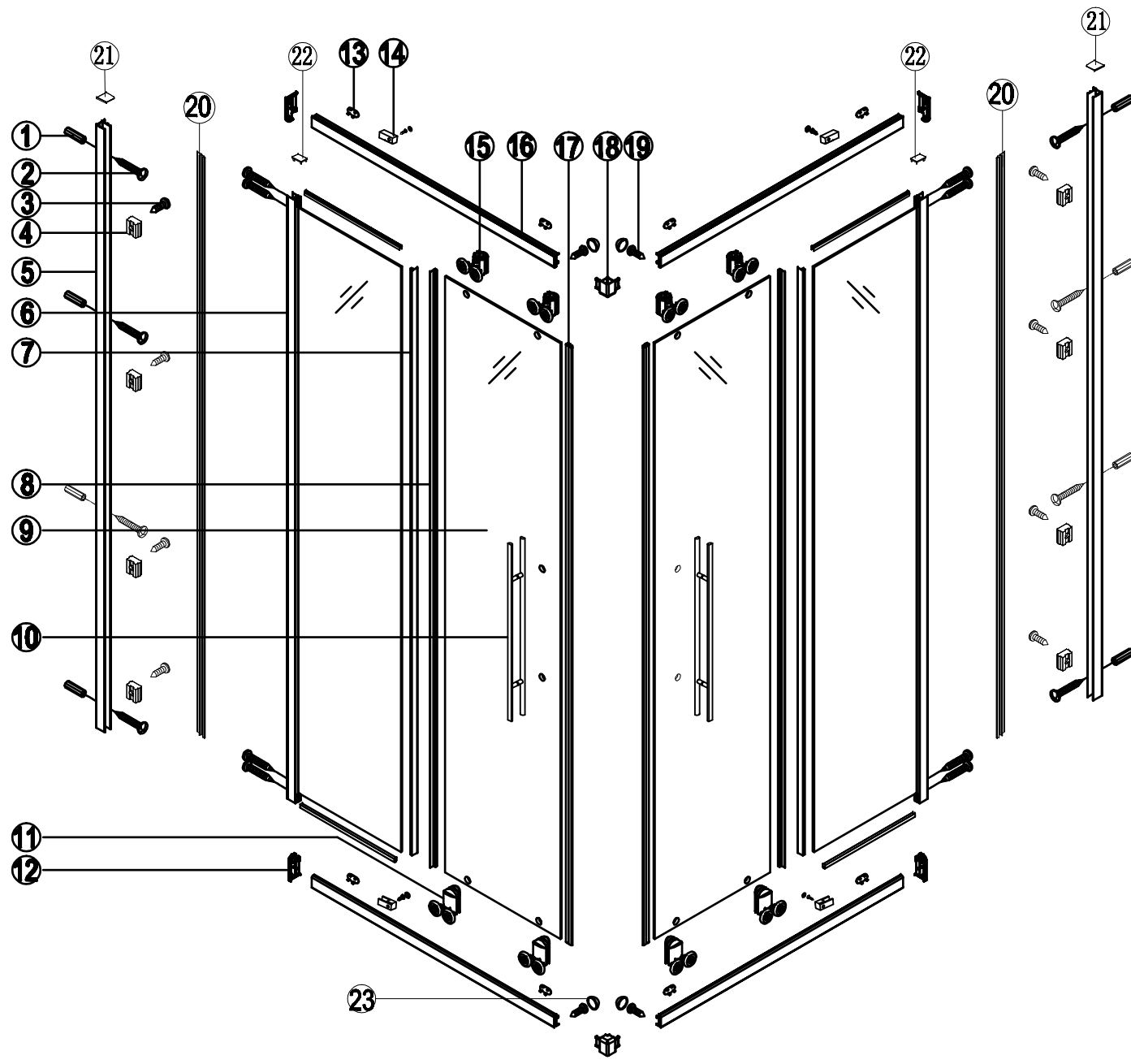
Eastbrook 

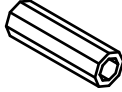


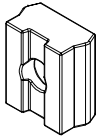
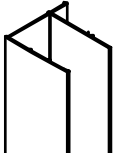
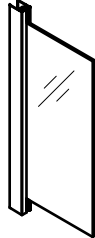
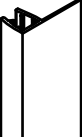

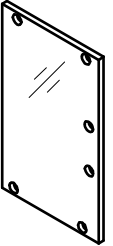
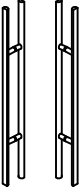
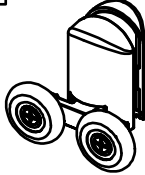
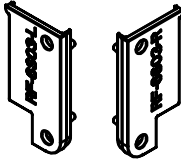
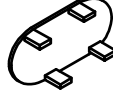
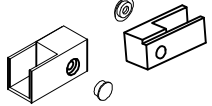
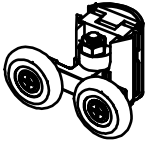
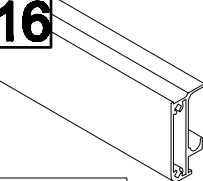
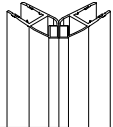
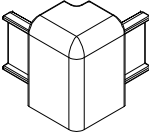

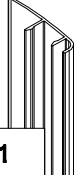

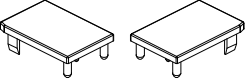

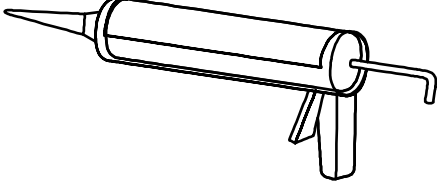
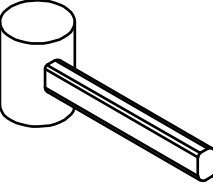
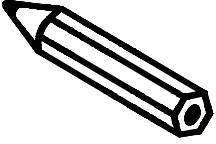
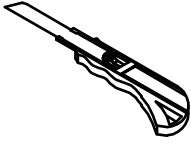
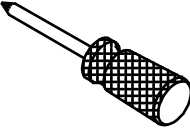




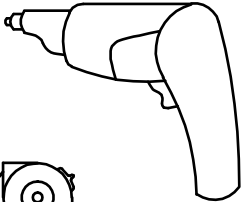
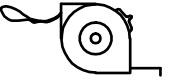
Eastbrook Road, Gloucester GL4 3DB

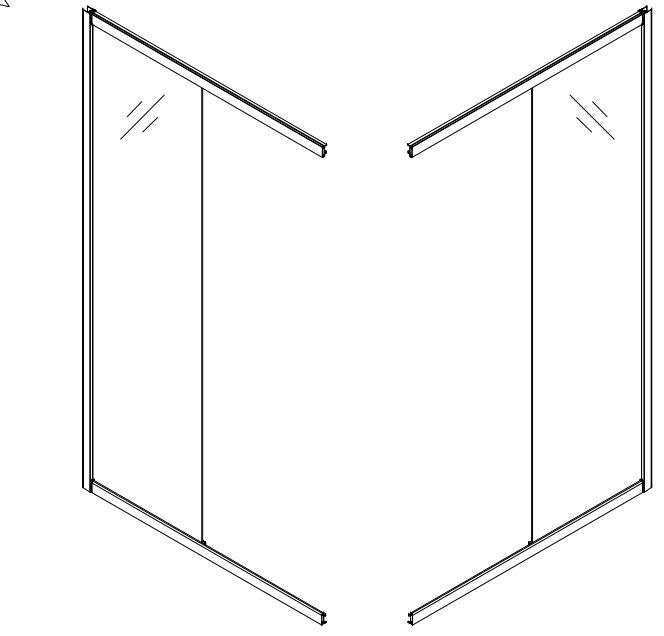
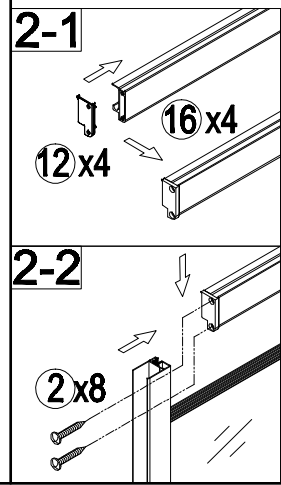
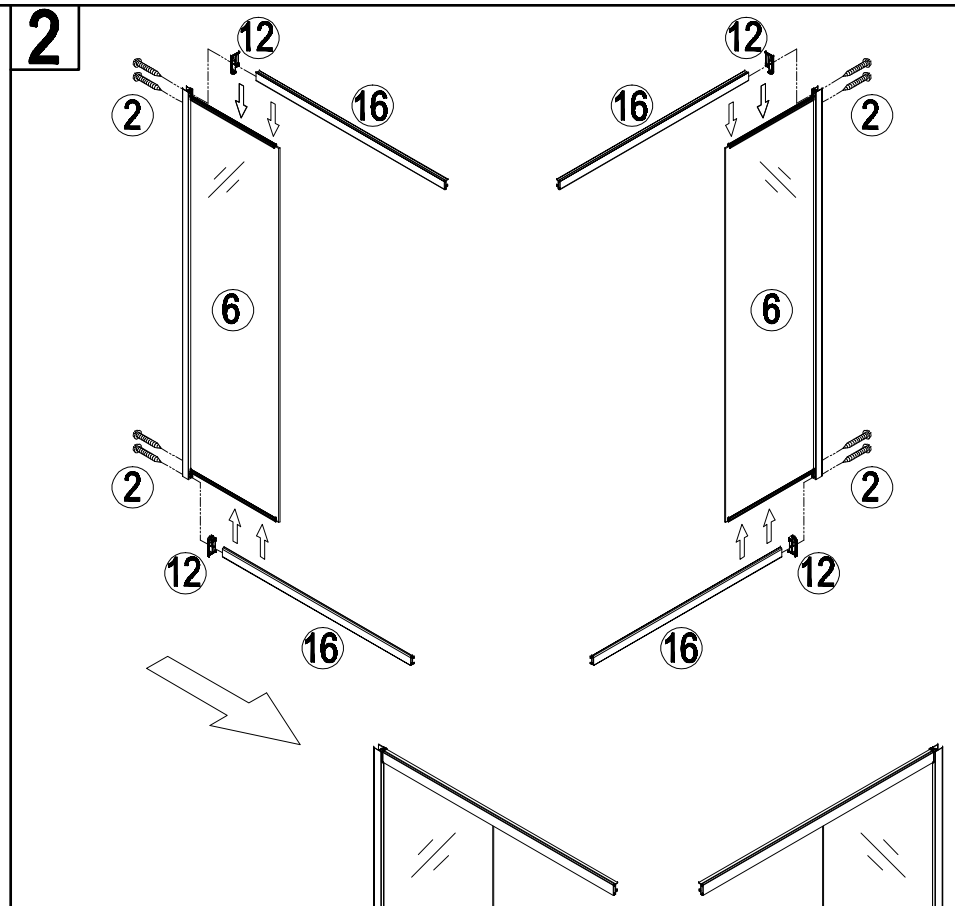
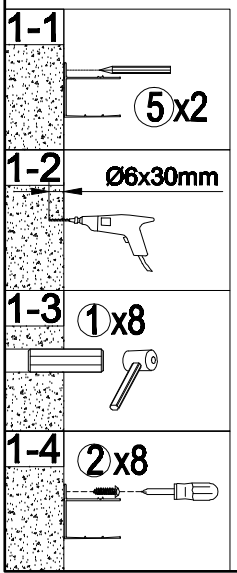
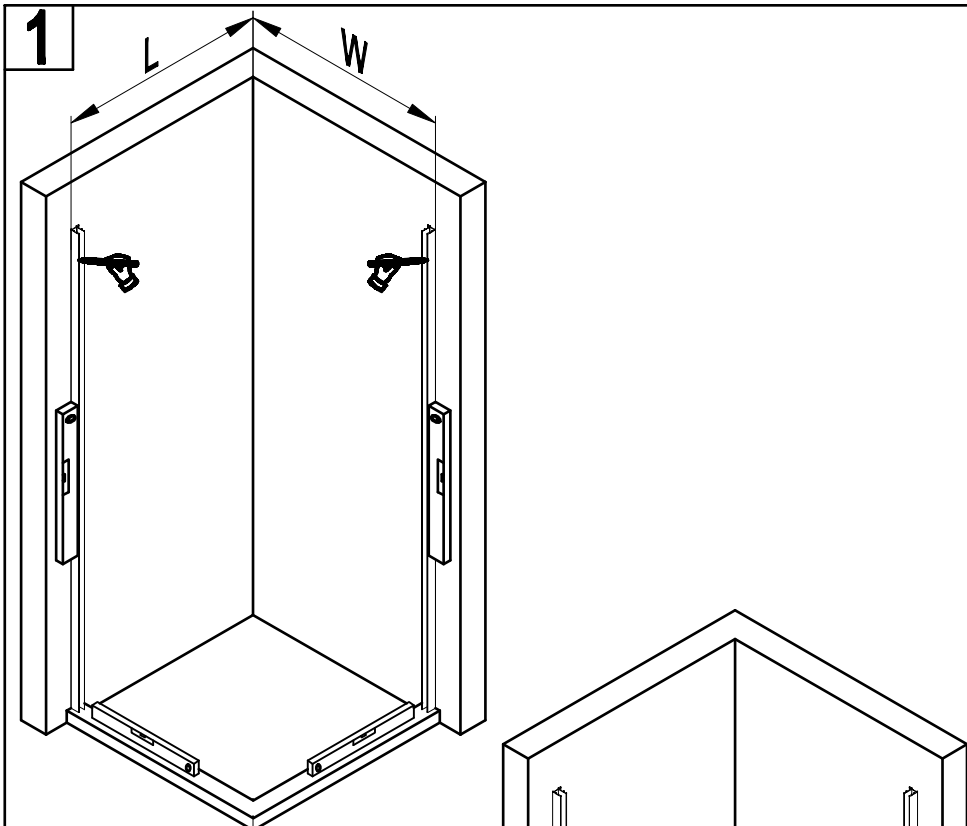
Technical Helpline: 01452 317890

email: technical@eastbrook.co.uk

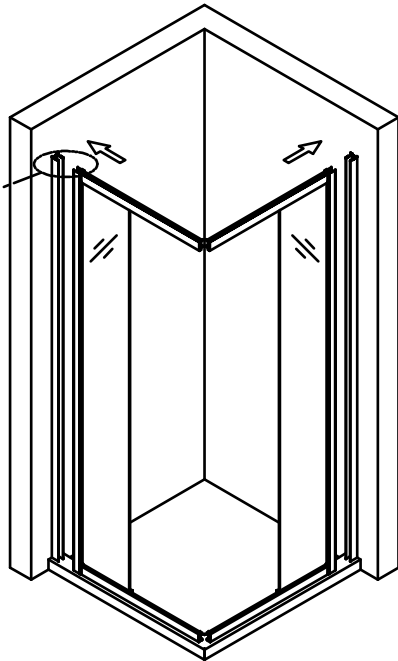
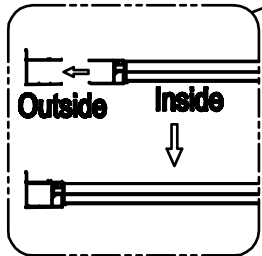
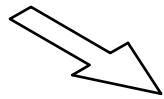
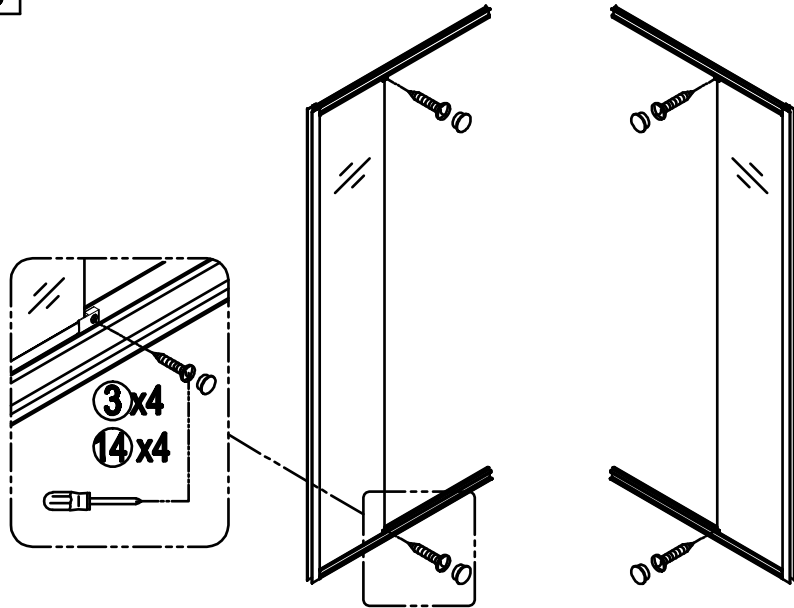




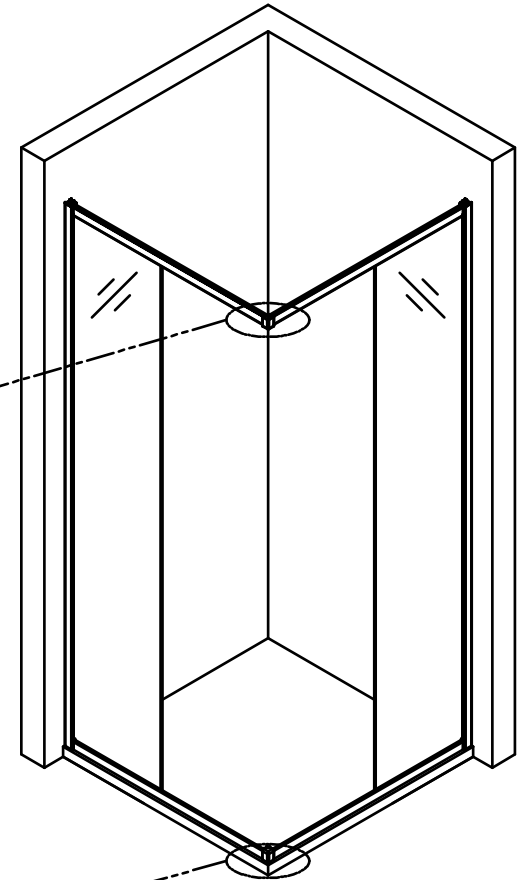
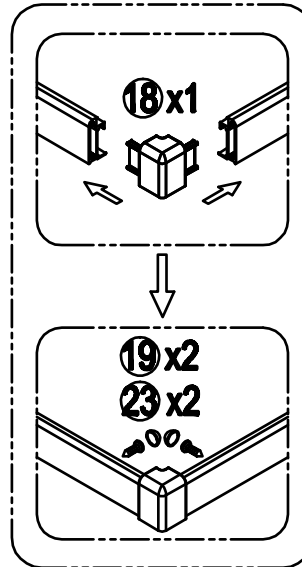
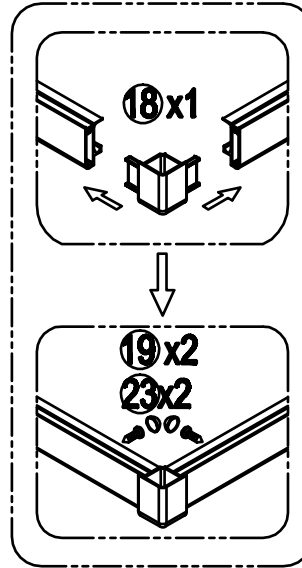
<p>1</p>  <p>D6x30 8Pcs</p>	<p>2</p> <p>ST4X30</p>  <p>ST4X30 16Pcs</p>	<p>3</p> <p>ST4X12</p>  <p>ST4X12 12Pcs</p>	<p>4</p>  <p>RF-6Y01 8Pcs</p>	<p>5</p>  <p>RF-6W01 2Pcs</p>	<p>6</p>  <p>RF-6Z02 2Pcs</p>	<p>7</p> <p>1908mm</p>  <p>RF-6Z02 2Pcs</p>	
<p>8</p> <p>1970mm</p>  <p>RF-6Z02 2Pcs</p>	<p>9</p>  <p>RF-6Y02 4Pcs</p>	<p>10</p>  <p>RF-6X04 2Pcs</p>	<p>11</p>  <p>RF-6X02 4Pcs</p>	<p>12</p>  <p>RF-6Y03 2Pairs</p>	<p>13</p>  <p>RF-6Y05 8Pcs</p>	<p>14</p>  <p>RF-6Y02 4Pcs</p>	
<p>15</p>  <p>RF-6X03 4Pcs</p>	<p>16</p>  <p>RF-6W22 4Pcs</p> <p>RF-6W23 4Pcs</p>	<p>17</p> <p>A+B</p>  <p>CRF-6Z01 1Pairs</p>	<p>18</p>  <p>RF-6Y07 2Pcs</p>	<p>19</p> <p>ST4X8</p>  <p>ST4X8 4Pcs</p>	<p>20</p>  <p>RF-6C1 2Pcs</p>	<p>21</p>  <p>RF-6Y12 2Pcs</p>	
<p>22</p>  <p>RF-6Y13 2Pcs</p>	<p>23</p>  <p>RF-6Y04 4Pcs</p>	<p>Tools:</p>					
 		 		<p>2 mm</p>  		<p>Ø6mm</p>  <p>Ø3.2mm</p>   	



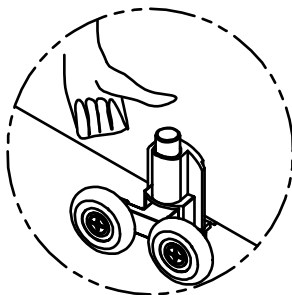
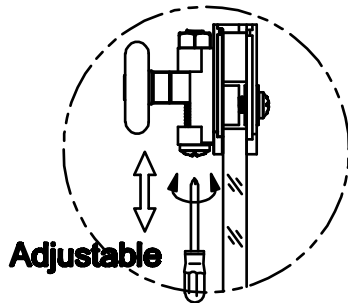
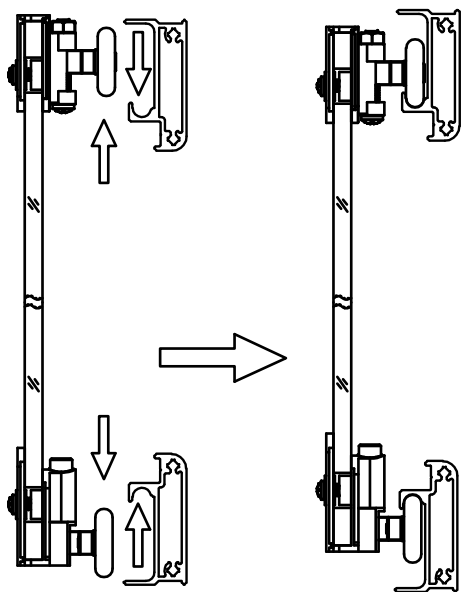
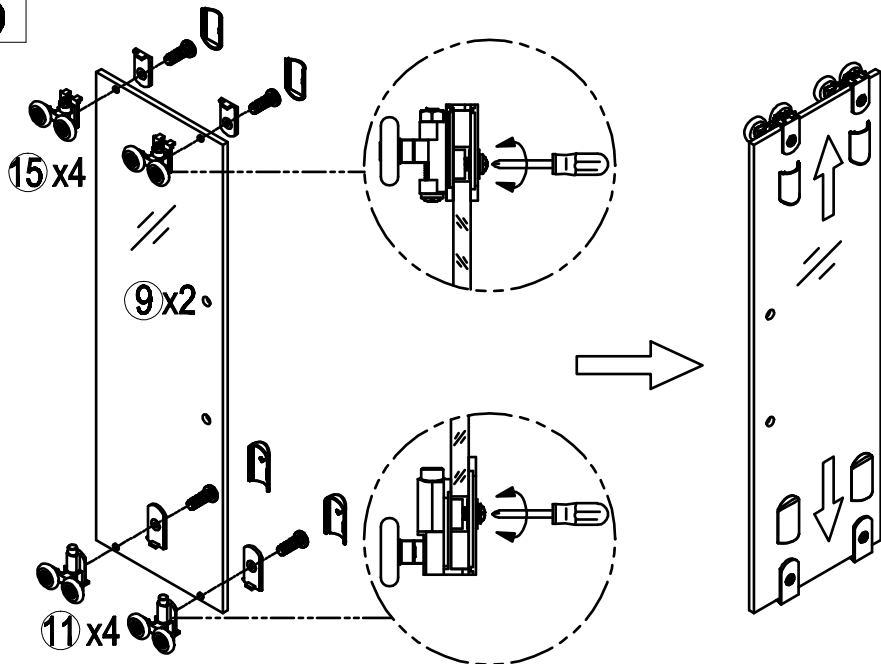
3



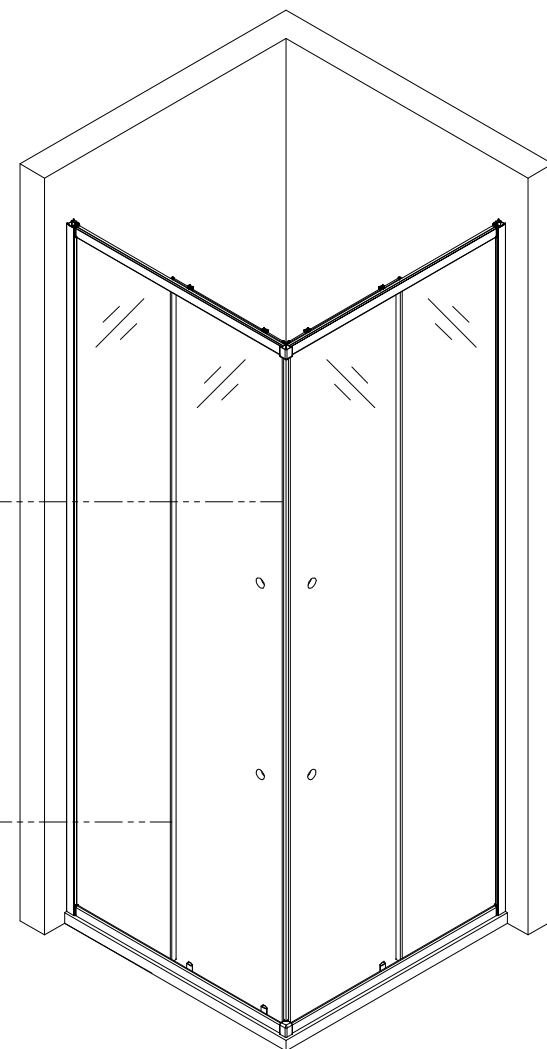
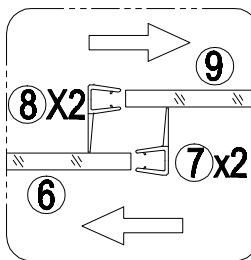
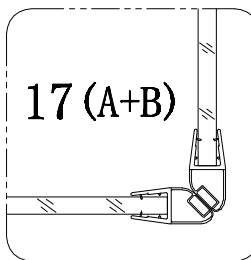
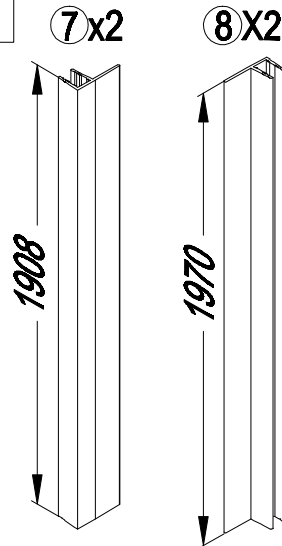
4



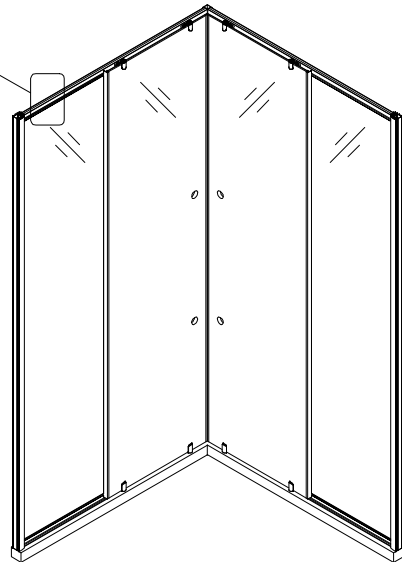
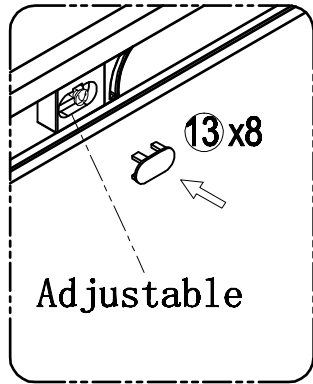
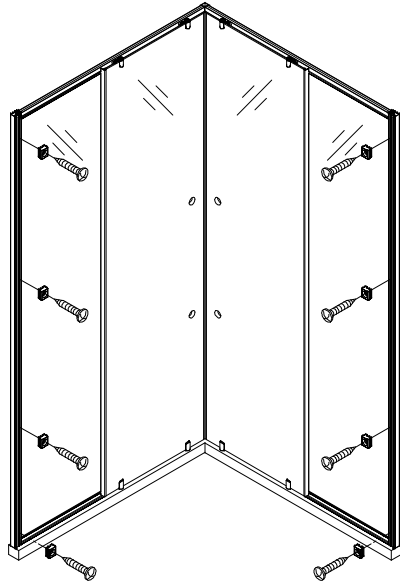
5



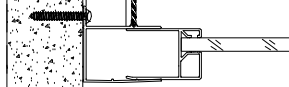
6



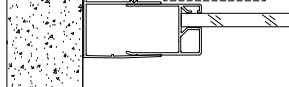
7



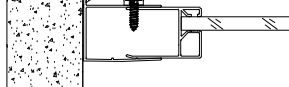
7-1 $\varnothing 3.2\text{mm}$
0-20mm



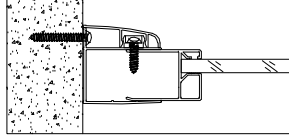
7-2 3x8
4x8



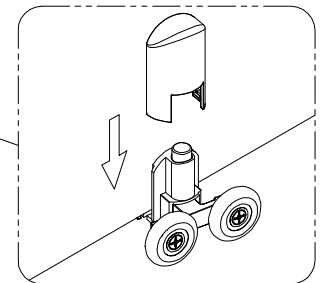
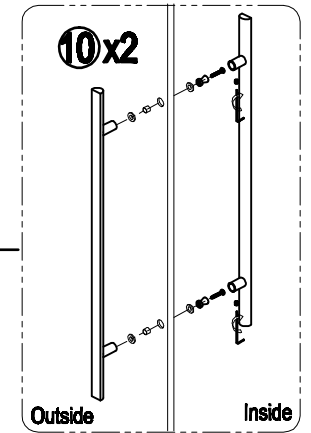
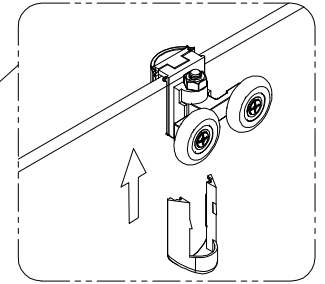
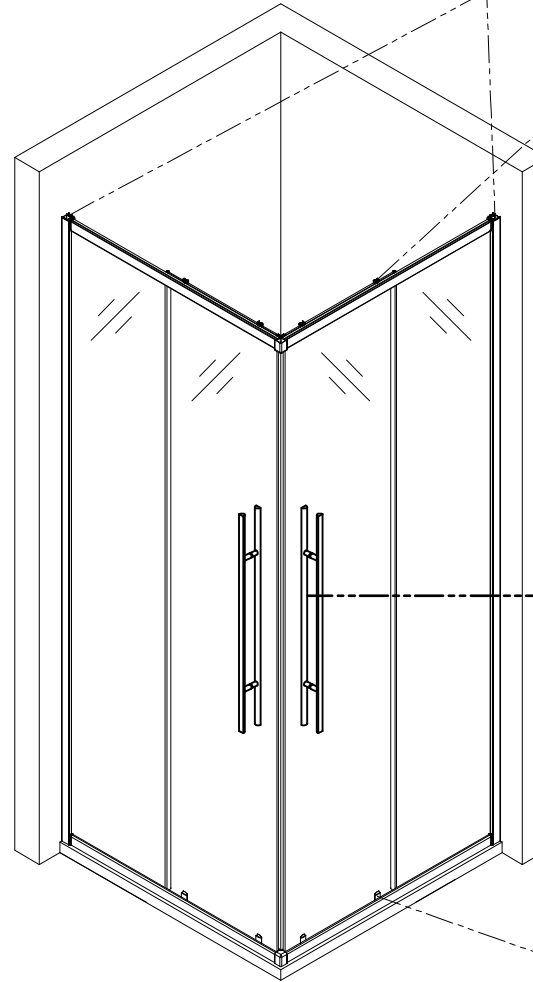
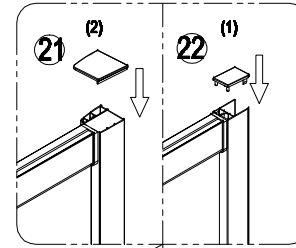
7-3 20x2



7-4



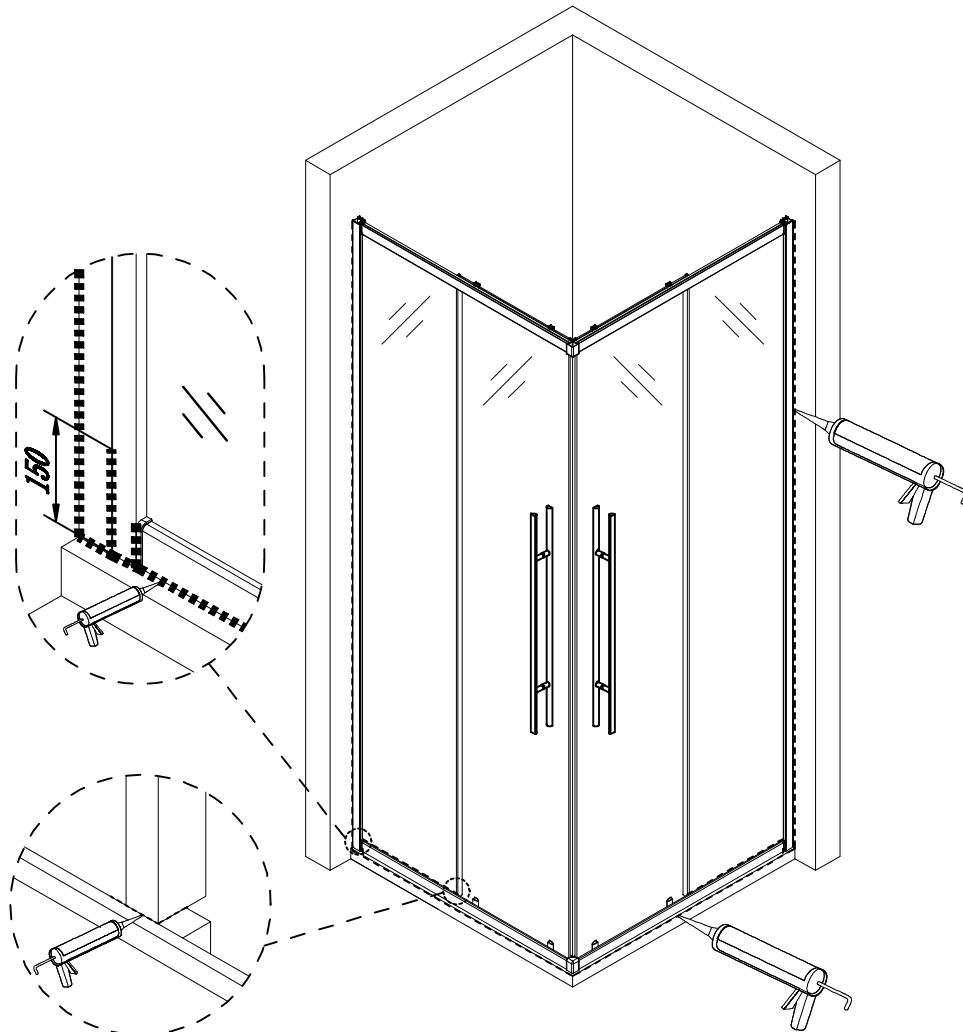
8



9

Care Instructions:

Do not use your shower enclosure within 24 hours of assembly .
Do not use caustic cleaning products or abrasive material when cleaning your shower enclosure.



Eastbrook

Eastbrook Road, Gloucester GL4 3DB

Technical Helpline: 01452 317890

Email: technical@eastbrookco.com

Cleaning and Maintenance of Shower Enclosures

Do not clean the shower enclosure with irritant detergents such as alcohol, bleach or other chemical cleaners.

Only clean with mild soapy water or a proprietary cleaner where the label advises it is suitable for the materials the enclosure is constructed from. Test on a small area first.

For treating limescale we would recommend distilled vinegar in a half and half solution with water.

Following installation should you find that there is a notable noise when the glass door moves you may add a small amount of silicon lubricant onto the roller wheels and tracks, hinges or clips.

It is the responsibility of the product owner to maintain the product as recommended above. Also, to check for parts which have broken or become loose to protect against failure of the enclosure.