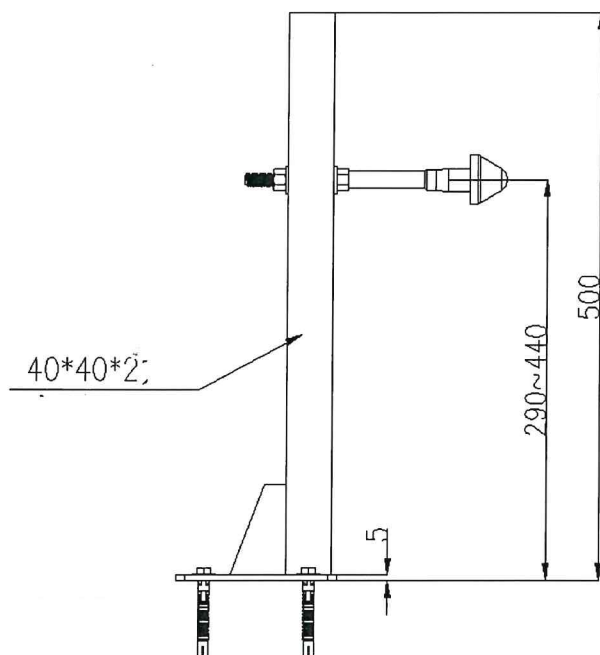


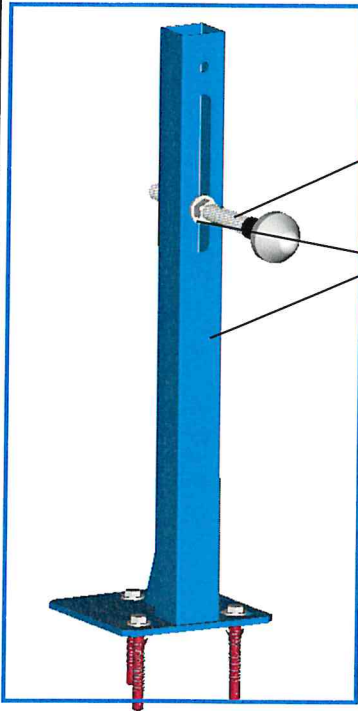
二、Dimensions:



三、Technical Informations:

- 1、Tubular steel (40*20*2) frame, coated with epoxy paint, having strong resistance to corrosion, with load of 400kgs, conforms to EN997 standard.
- 2、Suitable for wall-hung bidet, and fixed distances 180mm and 230mm are available for choice.
- 3、Brass fitting for cool and hot water connecting; Anti-vibration design.
- 4、Flush bend is made of HDPE, with spec DN50/DN50; Anti-vibration design..

一、 Overview:



Wall attachings

Strong Frame

EN Standard installation holes(M12)
